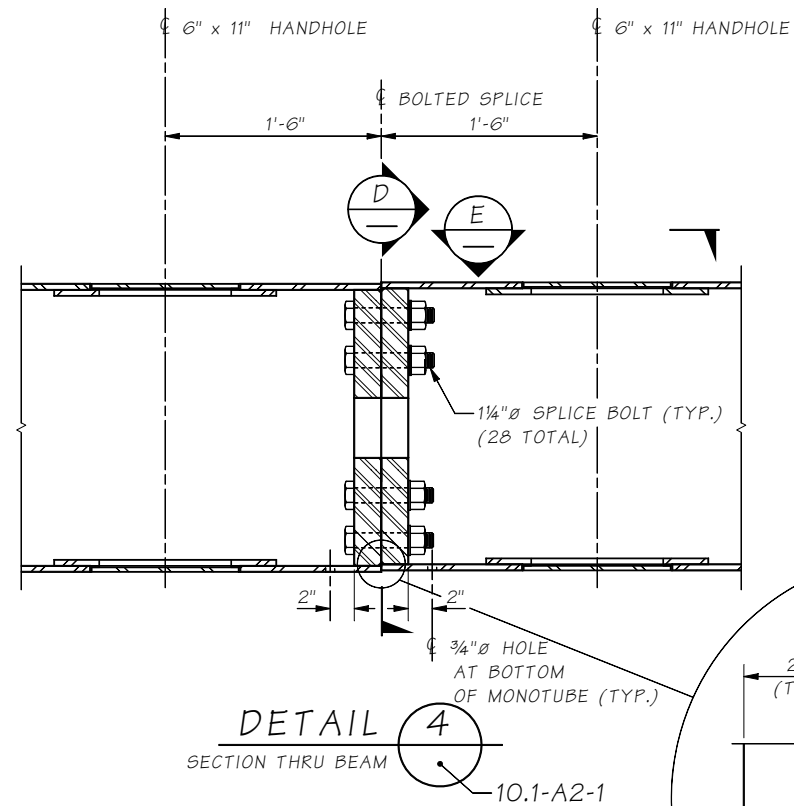
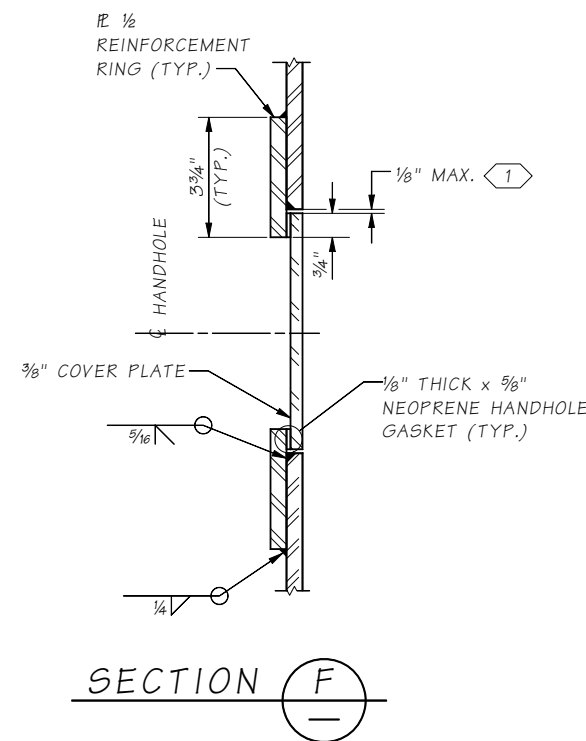
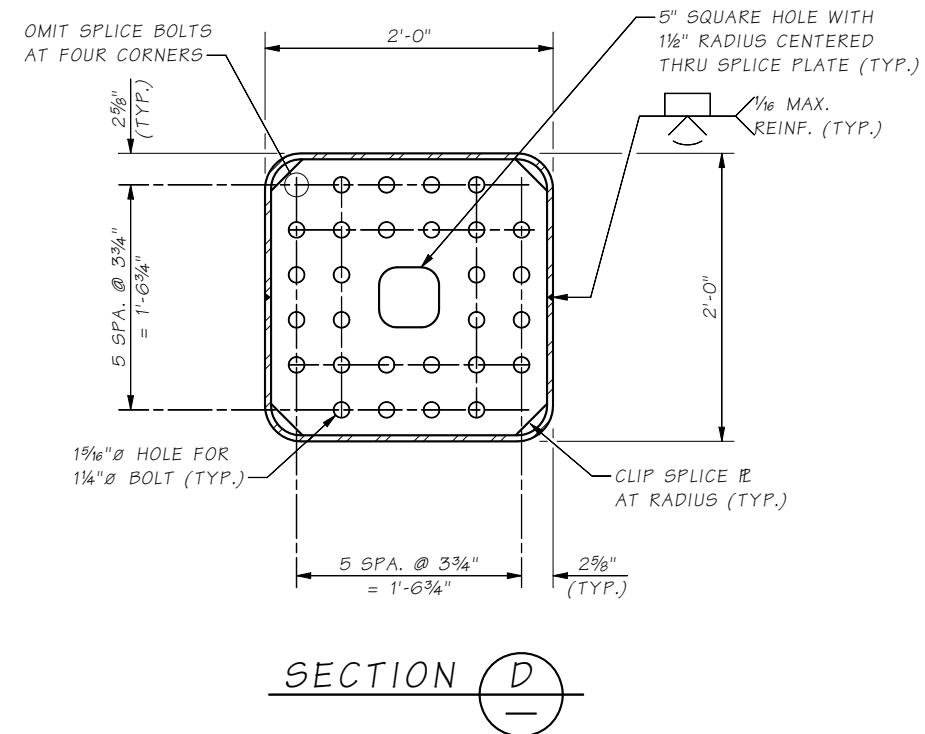
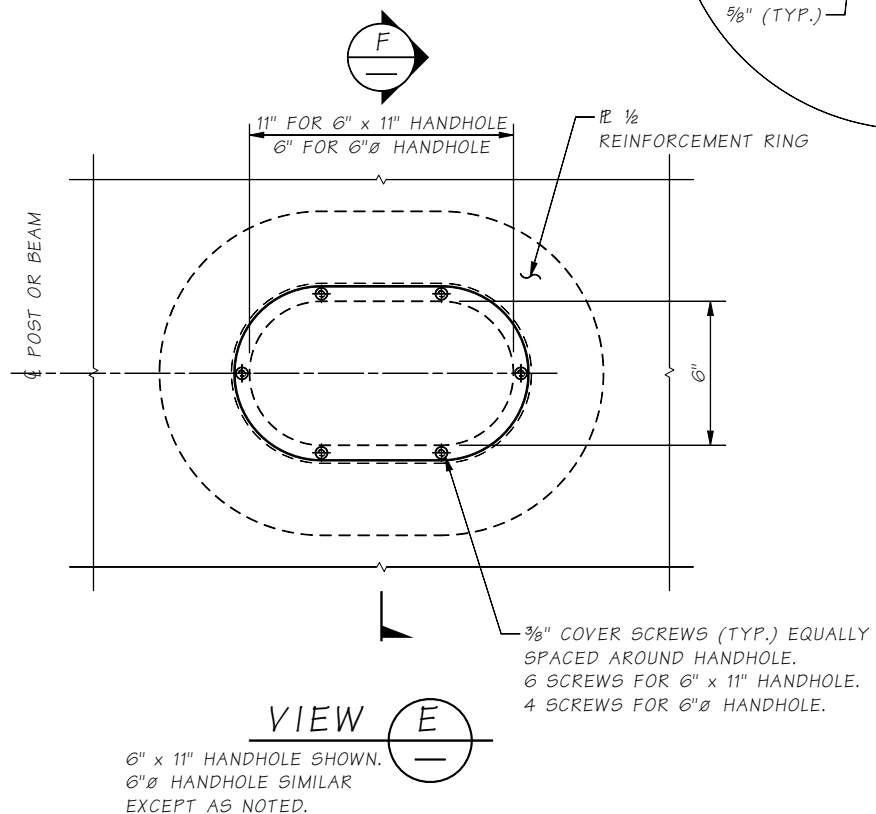
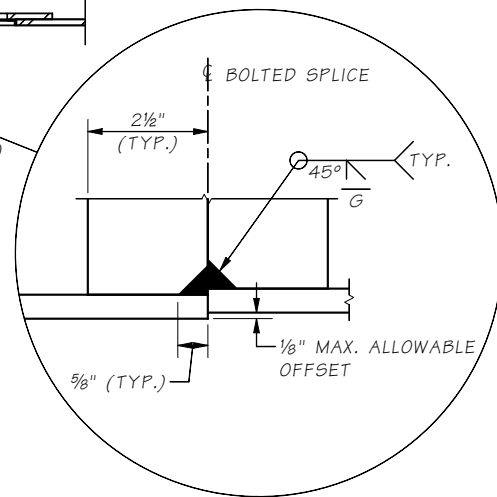


Last revised on : 09/04/2020

JOB NO. 10.1-A3-3 SHEET



DETAIL 4  
SECTION THRU BEAM  
10.1-A2-1



**NOTES:**  
1 SEAL WITH APPROVED SEALANT AT INSTALLATION OF HANDHOLES ON TOP OF BEAM ONLY.

|                       |  |          |    |      |  |            |            |       |                    |           |              |
|-----------------------|--|----------|----|------|--|------------|------------|-------|--------------------|-----------|--------------|
| Bridge Design Engr.   | M:\STANDARDS\Sign Bridges\MT_CANT_T_STRUCT_DETAILS_2.MAN |          |    |      |  |            | REGION NO. | STATE | FED. AID PROJ. NO. | SHEET NO. | TOTAL SHEETS |
| Supervisor            |  |          |    |      |  | 10         | WASH.      |       |                    |           |              |
| Designed By           |  |          |    |      |  | JOB NUMBER |            |       |                    |           |              |
| Checked By            |  |          |    |      |  |            |            |       |                    |           |              |
| Detailed By           |  |          |    |      |  |            |            |       |                    |           |              |
| Bridge Projects Engr. |  |          |    |      |  |            |            |       |                    |           |              |
| Prelim. Plan By       |  |          |    |      |  |            |            |       |                    |           |              |
| Architect/Specialist  | DATE   | REVISION | BY | APPD |  |            |            |       |                    |           |              |

Fri Sep 04 15:47:57 2020

BRIDGE AND STRUCTURES OFFICE



STANDARD MONOTUBE SIGN STRUCTURES

MONOTUBE BALANCED CANTILEVER STRUCTURAL DETAILS 2

BRIDGE SHEET NO.  
SHEET  
OF  
SHEETS