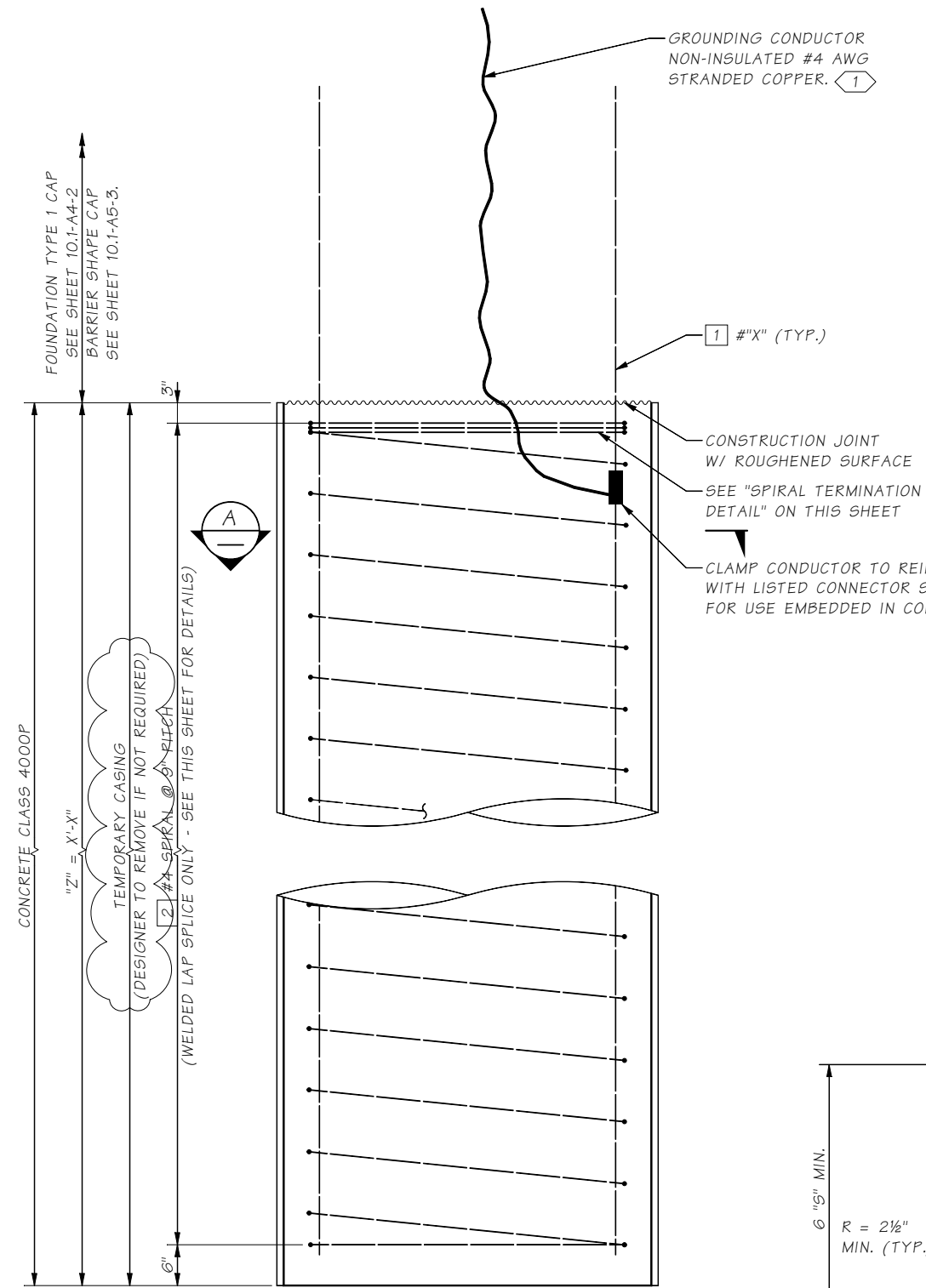


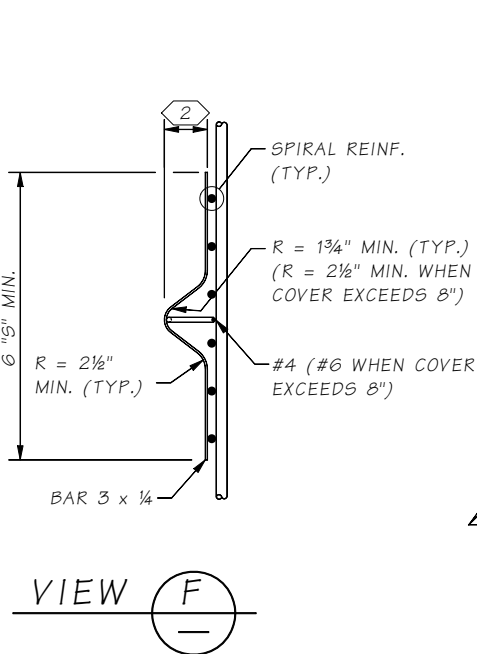
Last revised on : 09/04/2020

10.1-A4-1

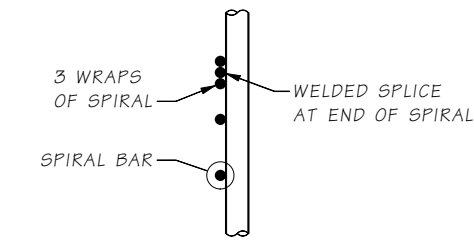
SR JOB NO. SHEET



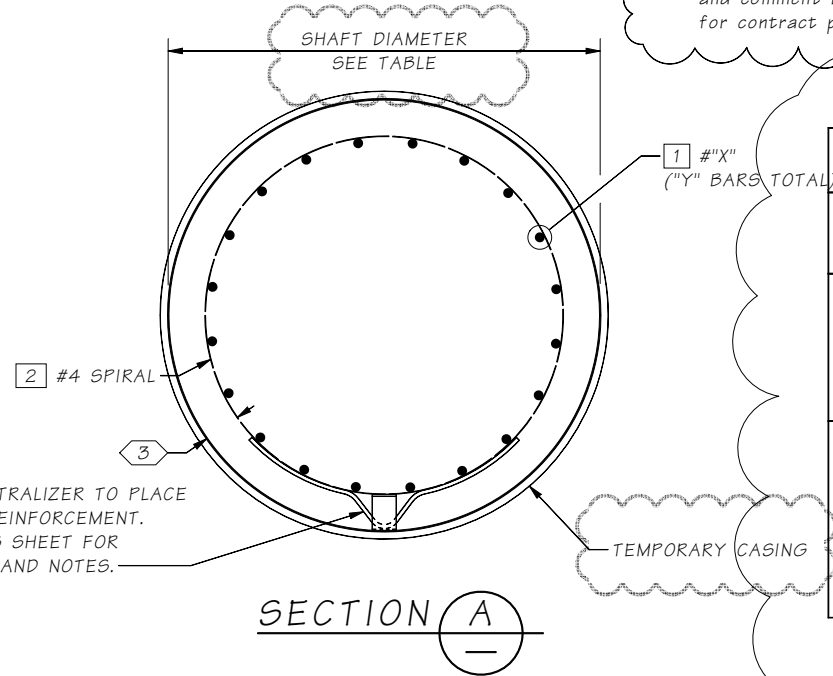
ELEVATION



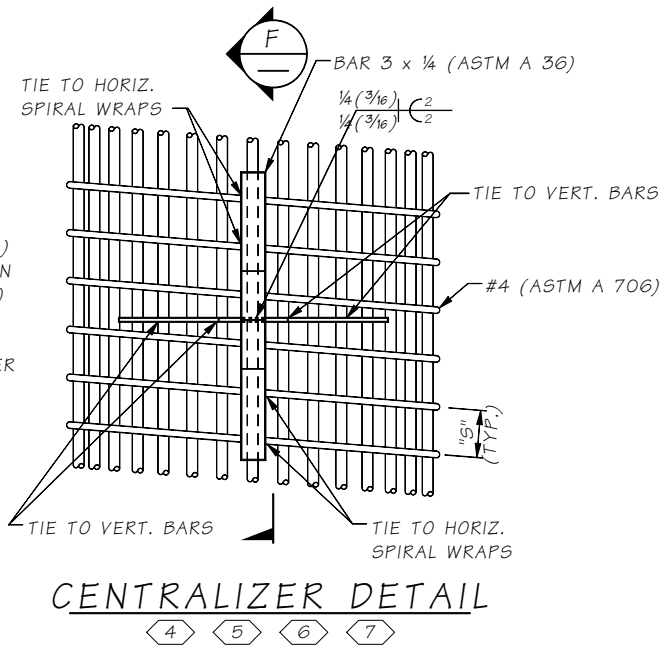
VIEW F



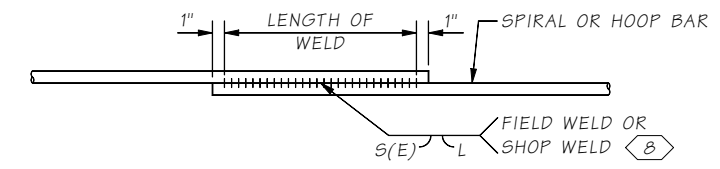
SPIRAL TERMINATION DETAIL



SECTION A



CENTRALIZER DETAIL



WELDED LAP SPLICE DETAIL

note to designer
remove foundation table and comment below for contract plans.

DEFORMED BAR	WELD DIMENSIONS (IN.)		
	S	E	LENGTH (L)
#4	1/4	1/8	4

	SPAN LENGTH ("S")	SHAFT DIAMETER	DEPTH ("Z")	FOUNDATION REINFORCEMENT	
				SIZE ("X")	NUMBER ("Y")
CANTILEVER SIGN	LESS THAN 20'-0"	4'-6"	11'-6"	9	12
	20'-0" TO 30'-0"	4'-6"	14'-0"	9	16
	30'-0" TO 35'-0"	4'-6"	18'-0"	9	20
SIGN BRIDGE	LESS THAN 60'-0"	4'-6"	14'-6"	9	18
	60'-0" TO 90'-0"	4'-6"	18'-0"	9	20
	90'-0" TO 120'-0"	5'-0"	20'-9"	11	15 BUNDLED PAIRS
	120'-0" TO 180'-0"	5'-6"	20'-9"	11	17 BUNDLED PAIRS

SHAFT DEPTH "Z" IS BASED ON ALLOWABLE LATERAL BEARING PRESSURE OF 2500 PSF OR MORE. DESIGNER TO VERIFY ABOVE ANGLE OF INTERNAL FRICTION & SOIL WEIGHT CORRESPONDS TO ALLOWABLE LATERAL BEARING PRESSURE OF 2500 PSF.

NOTES:

- PROVIDE 3'-0" MIN. SLACK. ROUTE CONDUCTOR TO GROUND WIRE TERMINAL SHOWN IN DETAIL 1 ON SHEETS 10.1-A1-2, 10.1-A2-2, OR 10.1-A3-2
- MINIMUM CONCRETE COVER MINUS 1/2".
- SEE STD. SPEC. 6-19.3(5)c. FOR MINIMUM CONCRETE COVER.
- SEE STD. SPEC. 6-19.3(5)b FOR SPACING REQUIREMENTS.
- CENTRALIZERS SHALL BE EPOXY COATED OR PAINTED WITH PAINT CONFORMING TO STANDARD SPECIFICATION 9-08.1(2)c OR 9-08.1(2)f AFTER FABRICATION.
- EACH LEG SHALL BE TIED TO TWO (2) VERTICAL BAR AND TWO (2) SPIRAL WRAPS OR TWO (2) HOOPS.
- CAGECASTER® REBAR CAGE SPACERS BY FOUNDATION TECHNOLOGIES MAY BE USED IN LIEU OF DETAIL SHOWN. SPACING REQUIREMENTS SHALL BE PER MANUFACTURER'S RECOMMENDATIONS. EACH LEG SHALL BE TIED TO A MINIMUM OF TWO (2) SPIRAL WRAPS OR HOOPS.
- WELDING SHALL MEET THE REQUIREMENTS OF STD. SPEC. 6-02.3(24)E FOR WELD DIMENSIONS, SEE SHAFT / HOOP OPTIONS TABLE THIS SHEET

Bridge Design Engr.	M:\STANDARDS\Sign Bridges\MT_SIGN_BRIDGE_FND_TYPE_1.MAN	REGION NO.	STATE	FED. AID PROJ. NO.	SHEET NO.	TOTAL SHEETS
Supervisor		10	WASH.			
Designed By		JOB NUMBER				
Checked By						
Detailed By						
Bridge Projects Engr.						
Prelim. Plan By						
Architect/Specialist	DATE	REVISION	BY	APPD		

BRIDGE AND STRUCTURES OFFICE



STANDARD MONOTUBE SIGN STRUCTURES
MONOTUBE SIGN STRUCTURES FOUNDATION TYPE 1 - SHAFT DETAILS

BRIDGE SHEET NO.
SHEET
OF
SHEETS