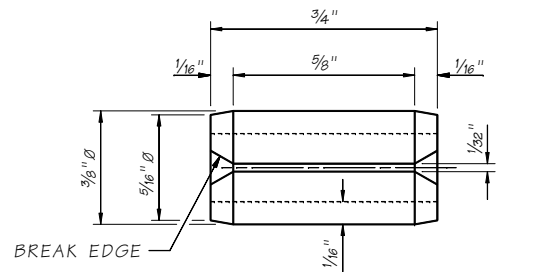
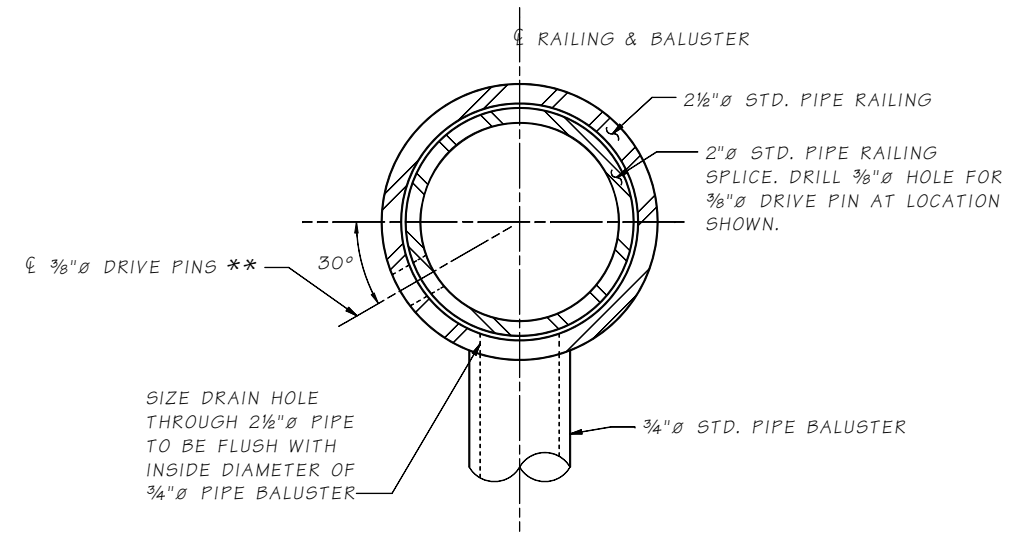


DETAIL 1



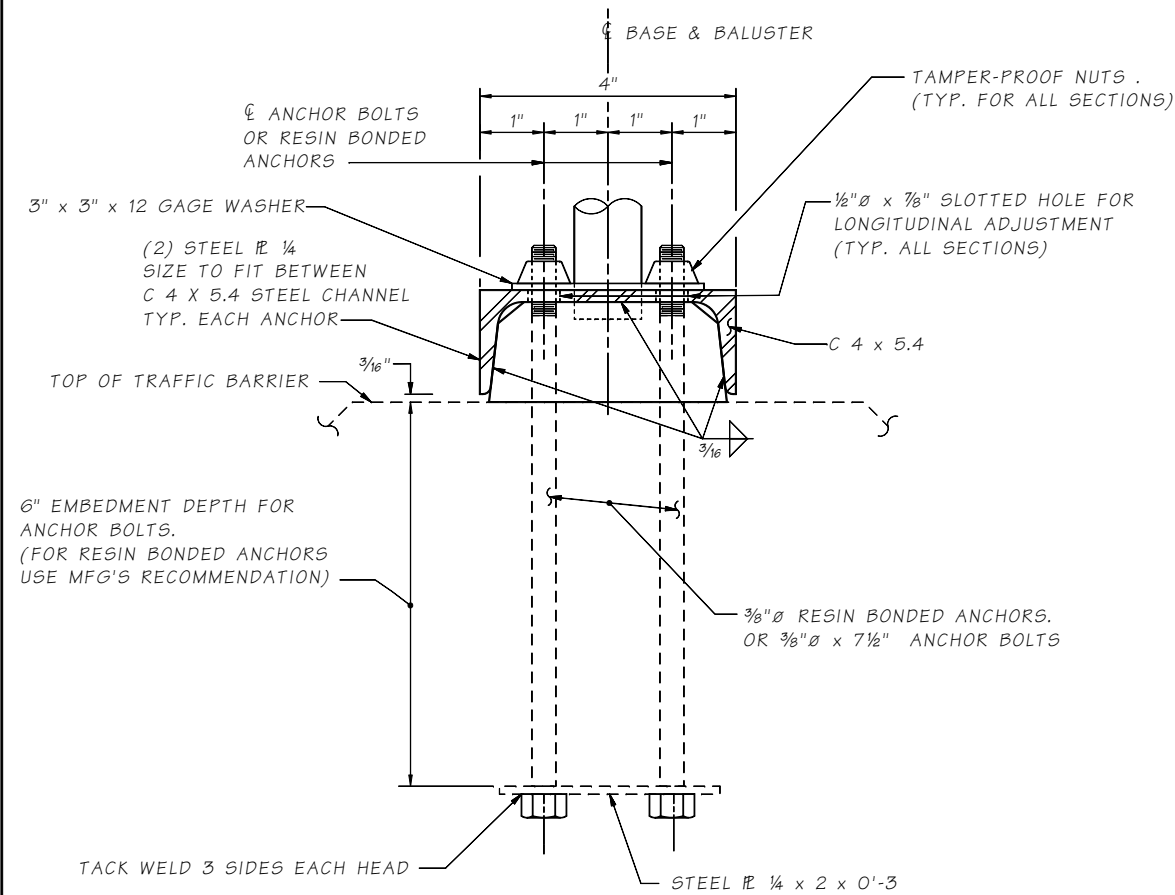
DRIVE PIN DETAIL
SLOTTED TYPE SPRING PIN (ANSI B18.8.2)



SECTION E

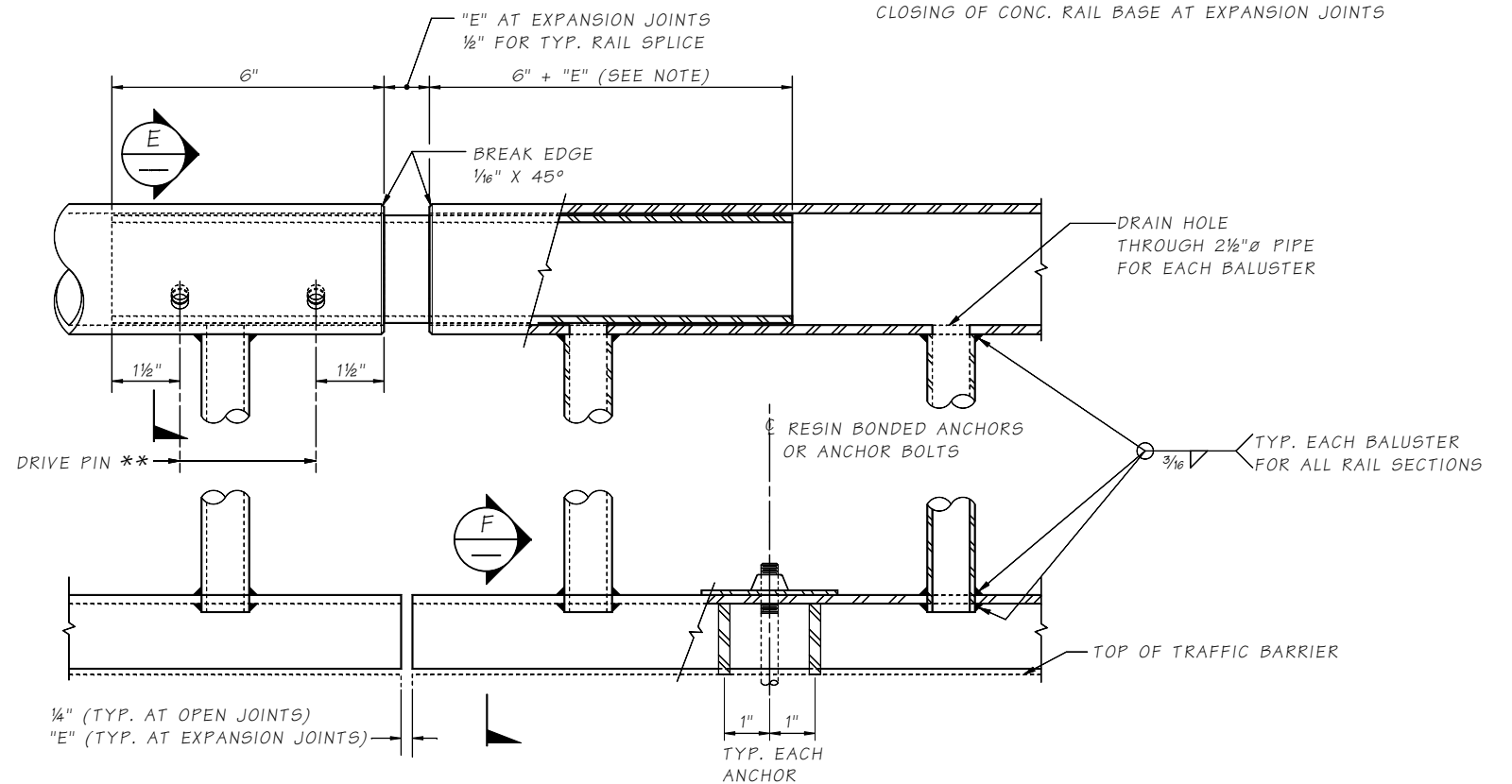
** LOCATE ON OPPOSITE SIDE OF TRAFFIC. DRIVE PINS SHALL BE DRIVEN FLUSH WITH THE OUTSIDE FACE OF THE RAILING

NOTE:
"E" DIMENSION EQUALS MAX. OPENING OR CLOSING OF CONC. RAIL BASE AT EXPANSION JOINTS



SECTION F

ANCHOR BOLTS SHALL BE POSITIONED IN A JIG DURING WELDING



PART ELEVATION B

Last revised on : 11/19/2019

SHEET

JOB NO. SR

10.5-A7-2

Bridge Design Engr.	M:\STANDARDS\BP Rails\10.5-A7-2 BRIDGE RAILING TYPE S-BP-12 DET 2 OF 2.MAN					
Supervisor						
Designed By						
Checked By						
Detailed By						
Bridge Projects Engr.						
Prelim. Plan By						
Architect/Specialist						
DATE		REVISION		BY	APPD	

REGION NO.	STATE	FED. AID PROJ. NO.	SHEET NO.	TOTAL SHEETS
10	WASH.			
JOB NUMBER				

BRIDGE AND STRUCTURES OFFICE

STANDARD RAILINGS
BRIDGE RAILING TYPE S-BP-12 DETAILS 2 OF 2

BRIDGE SHEET NO.
SHEET
OF
SHEETS