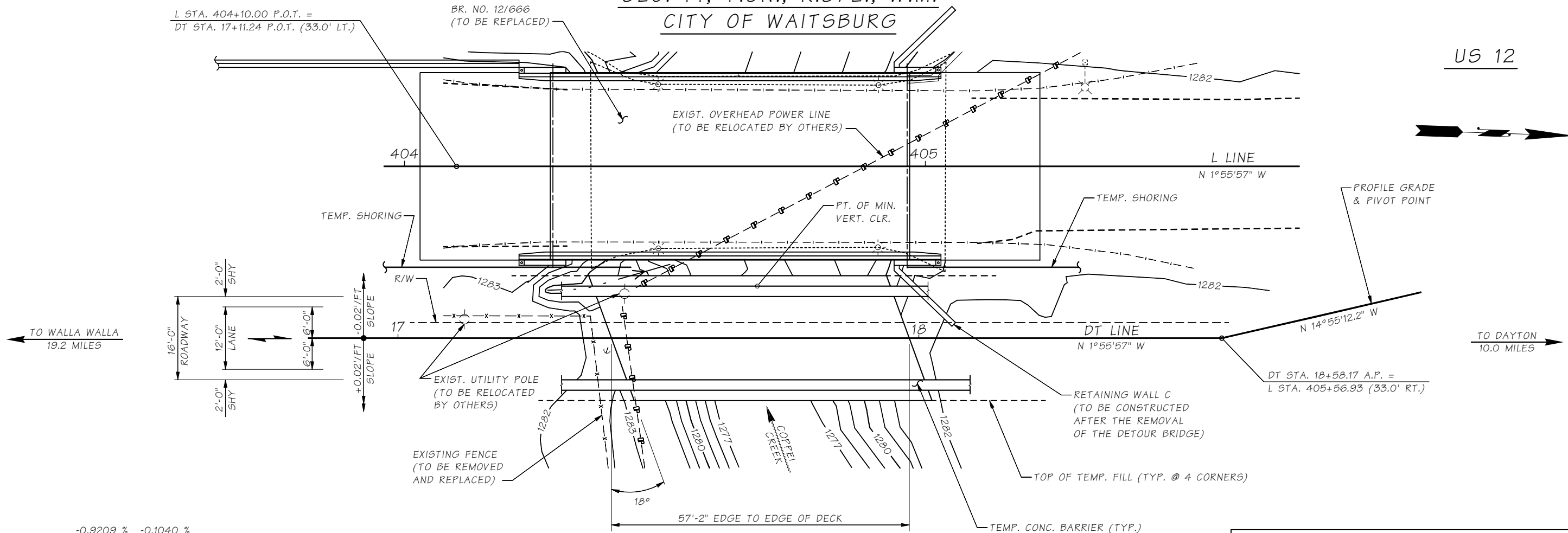


SEC. 14, T.9N., R.37E., W.M.  
CITY OF WAITSBURG

US 12

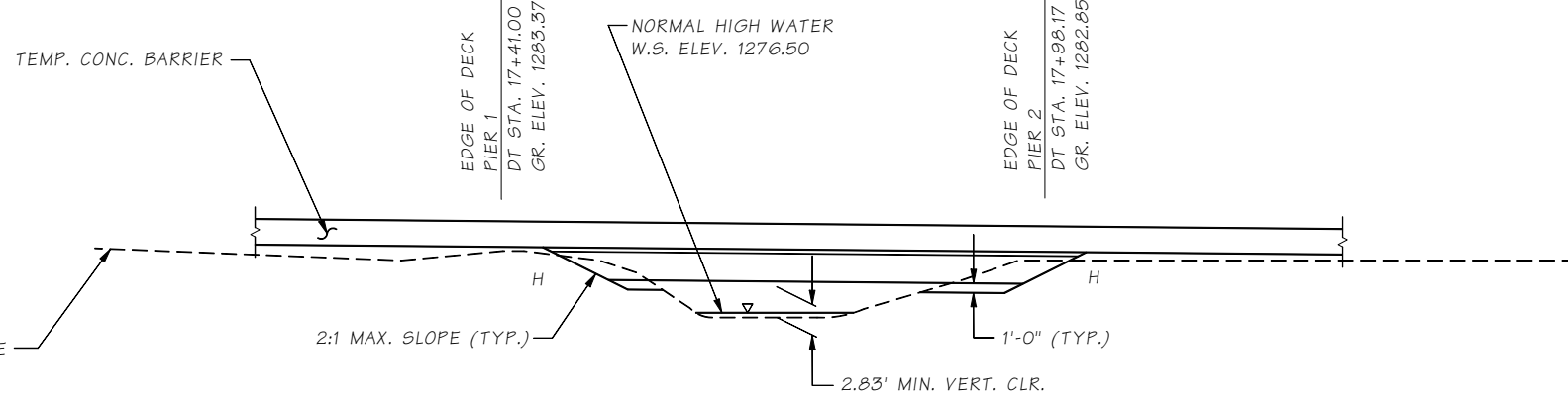


LEGEND	
	LIGHT POLE - EXISTING
	UTILITY POLE - EXISTING
	POLE ANCHOR - EXISTING
	OVERHEAD POWER - EXISTING
	OVERHEAD TELEPHONE - EXISTING
	BURIED TELEPHONE - EXISTING
	OVERHEAD CABLE TV - EXISTING
	2 OVERHEAD UTILITIES - EXISTING
	TIMBER LIGHT STD. - EXISTING
	GUARDRAIL - EXISTING

-0.9209 %    -0.1040 %

A.P.  
DT STA. 18+96.60  
ELEV. 1281.94

DT LINE PROFILE



DATUM  
NAVD 1988

STEEL STRINGER (W33X118)  
WITH GLULAM TIMBER DECK  
LOADING: HS-20

PLAN APPROVED BY:  
\_\_\_\_\_  
BRIDGE AND STRUCTURES ENGINEER  
\_\_\_\_\_  
PROJECT DEVELOPMENT ENGINEER

GRADE ELEVATIONS SHOWN ARE FINISH GRADES AT TOP OF 0.15' ACP OVERLAY ON DT LINE AND ARE EQUAL TO PROFILE GRADE.

PT. OF MIN. VERT. CLR. DT STA. 8+19.0 (9.5' LT)  
 COAST GUARD LIAISON  
 COAST GUARD PERMIT NOT REQ'D  
 PERMIT TARGET DATE  
 BRIDGE WITH APPROACH FILLS  
 DETOUR BRIDGE W 33X118 GIRDERS  
 STEEL STRINGER WITH GLULAM DECK  
 SR JOB NO. 2-B-2  
 LAST REVISION: 12/1/2016

BRIDGE DESIGN ENGR.	M:\BRIDGELIB\BDM\Chapter 2>window files\S2B2.wnd	STATE	FED. AID PROJ. NO.	SHEET NO.	TOTAL SHEETS
Supervisor		10 WASH			
Designed By		JOB NUMBER			
Checked By					
Detailed By					
Bridge Projects Engr.					
Prelim. Plan By					
Architect/Specialist	DATE	REVISION	BY	APP'D	

Wed Nov 30 15:12:33 2016

BRIDGE AND STRUCTURES OFFICE



PROJ. NO. X11295 ~ SOUTH CENTRAL REGION ~ US 12 ~ MP 357.04 CITY OF WAITSBURG ~ DETOUR BRIDGE  
 C.S. 3601 ~