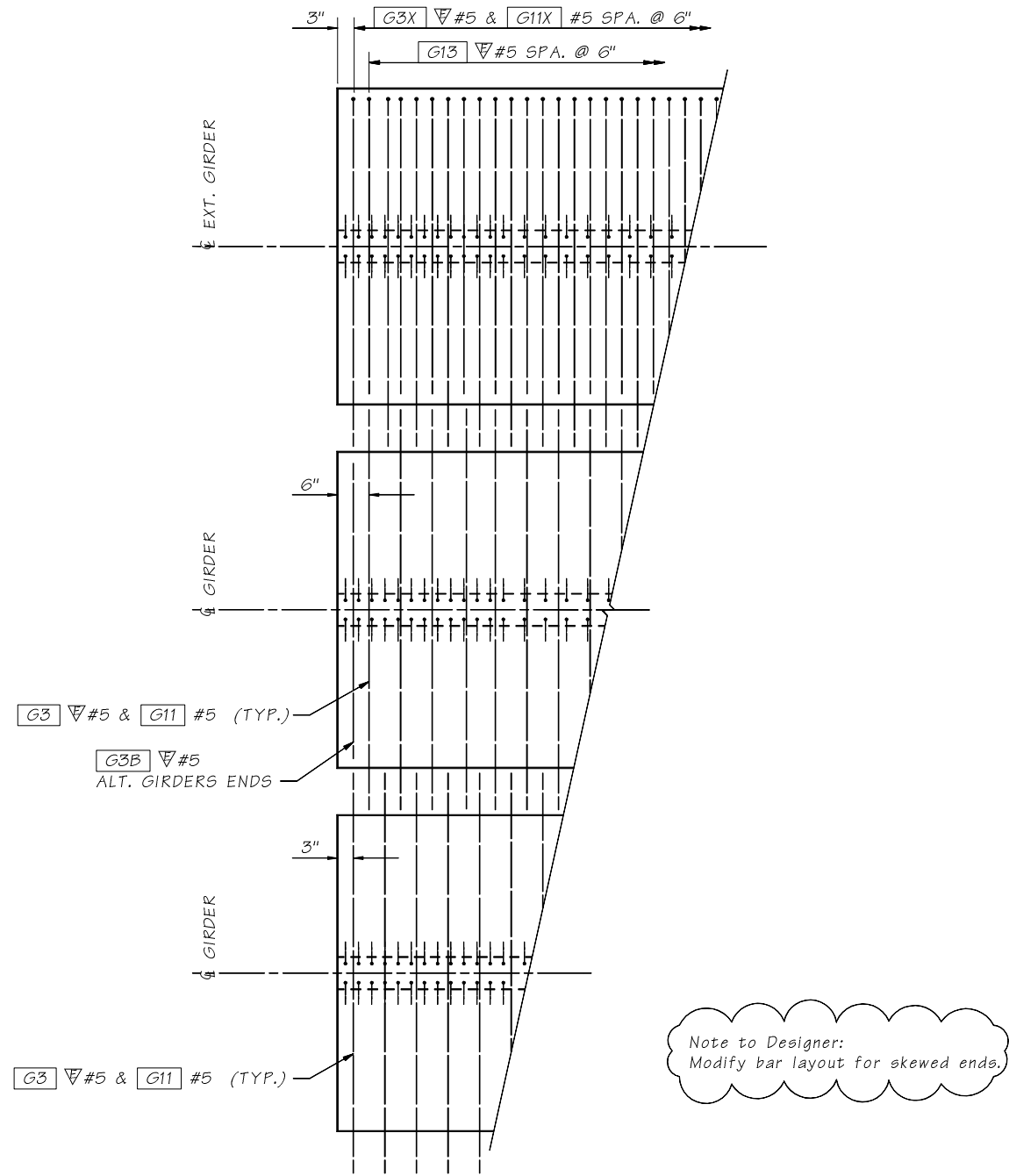


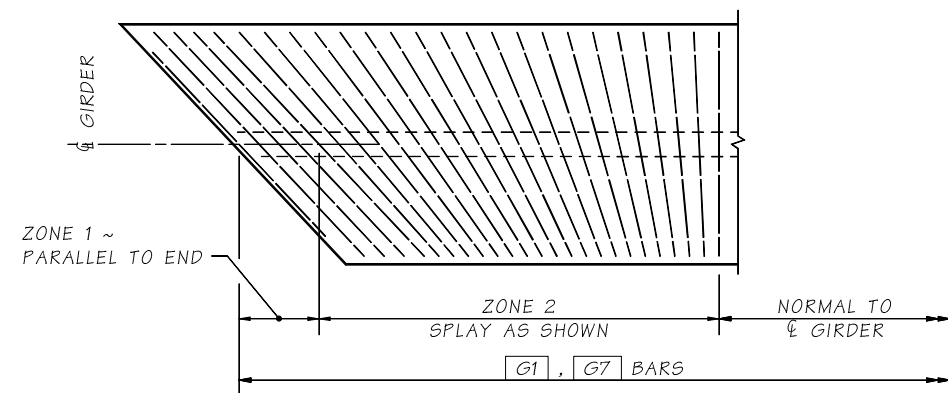
Last revised on : 09/18/2018



TOP FLANGE TRANSVERSE REINFORCING PLAN

SHIFT **G3**, **G3A**, **G3B**, & **G11** BARS AS NEEDED TO MISS **G1** BARS END TYPE A SHOWN, END TYPE B SIMILAR.

ONE **G3** AND **G11** EXTENSION MAY BE OMITTED IN EACH GIRDER AT EACH DIAPHRAGM TO FACILITATE CONCRETE PLACEMENT.



**PLAN
BOTTOM FLANGE TRANSVERSE REINFORCING
AT SKEWED ENDS**

LENGTHS OF **G7** VARY WITH SKEW.
ONLY TRANSVERSE REINFORCEMENT SHOWN.

5.6-A6-14 SR JOB NO. SHEET

Bridge Design Engr.	M:\STANDARDS\Girders\WFDG\WFDG UHPC\WFDG UHPC GIRDER DETAILS 5 OF 5.MAN							
Supervisor				REGION NO.	STATE	FED. AID PROJ. NO.	SHEET NO.	TOTAL SHEETS
Designed By				10	WASH.			
Checked By				JOB NUMBER				
Detailed By								
Bridge Projects Engr.								
Prelim, Plan By								
Architect/Specialist	DATE	REVISION	BY	APPD				

BRIDGE
AND
STRUCTURES
OFFICE



WF DECK GIRDER (UHPC)
DETAILS 5 OF 5

BRIDGE SHEET NO.
SHEET
OF
SHEETS