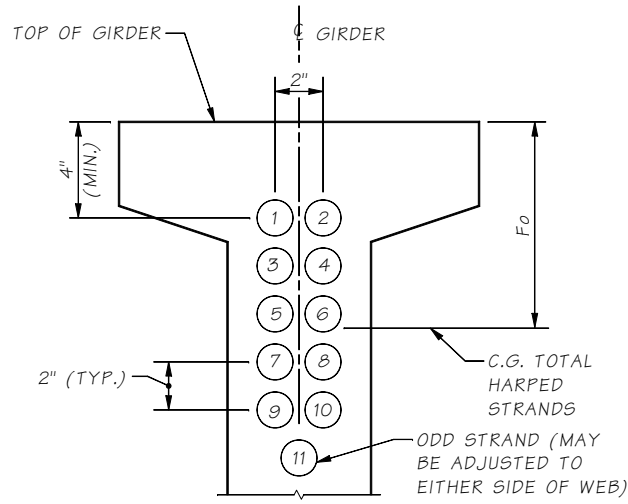
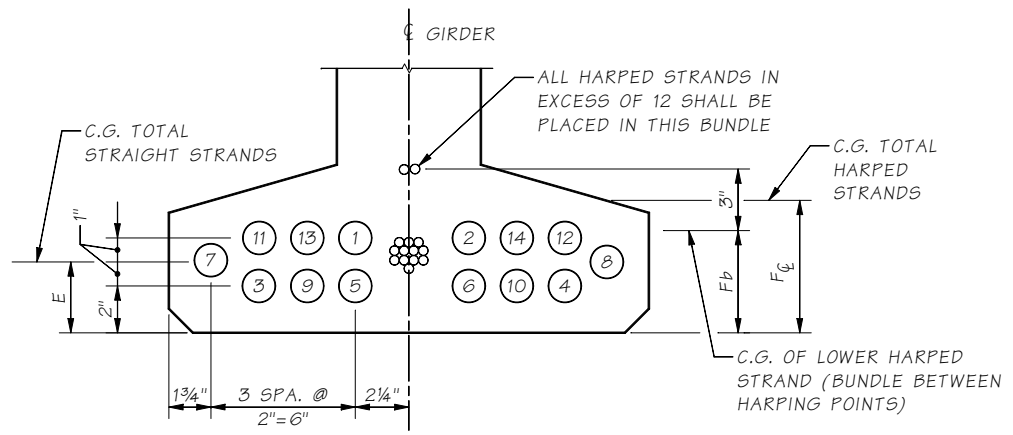


GIRDER SCHEDULE



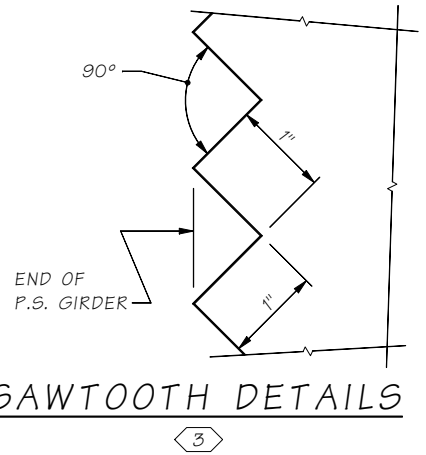
STRAND PATTERN AT GIRDER END

HARPED STRAND LOCATION SEQUENCE SHALL BE AS SHOWN (1), (2) ETC.

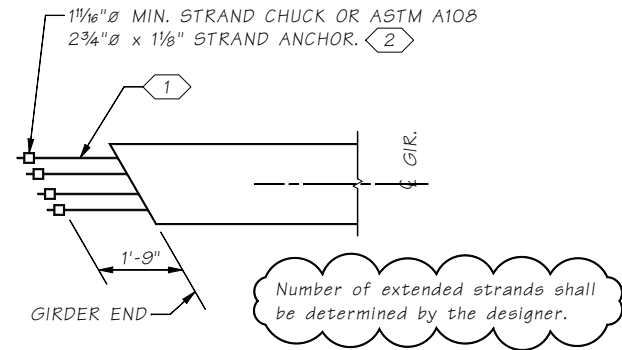


STRAND PATTERN AT C SPAN

STRAIGHT STRAND LOCATION SEQUENCE SHALL BE AS SHOWN (1), (2) ETC.

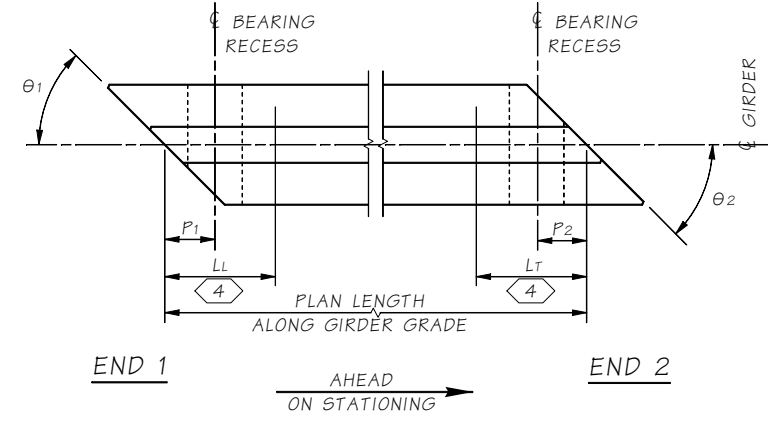


SAWTOOTH DETAILS



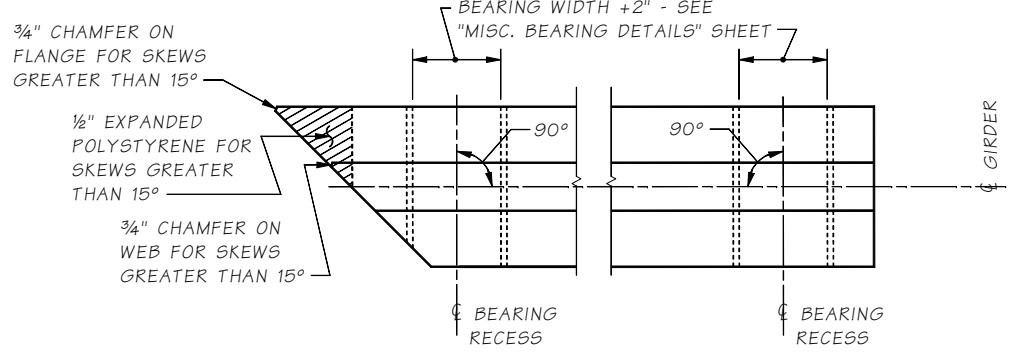
STRAND EXTENSION DETAIL

Number of extended strands shall be determined by the designer.

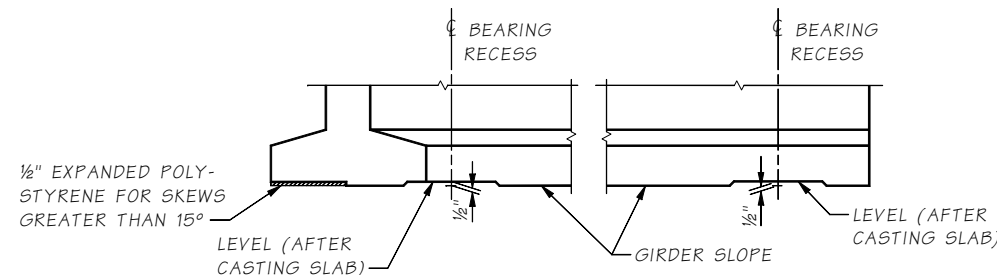


NOTE: Dimensions shall be shown in Imperial units to the nearest 1/8th inch.

The number of harped strands should not exceed 1/2 of the number of straight strands.



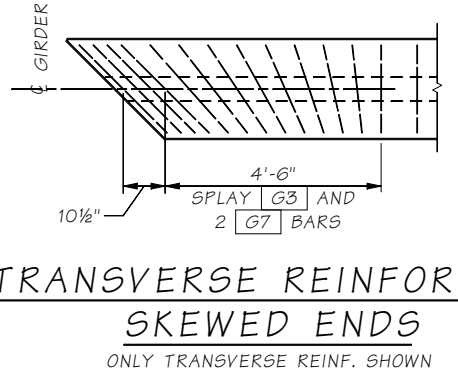
PLAN BEARING RECESS AND BOTTOM FLANGE SPALL PROTECTION



ELEVATION

NOTES:

- 1 EXTEND STRAIGHT STRANDS (1) THROUGH (4) AT END AHEAD ON STATION. EXTEND STRAIGHT STRANDS (5) THROUGH (8) AT END BACK ON STATION.
- 2 ANCHOR STRAND WITH WEDGES BEFORE GIRDER ERECTION. VERIFY WEDGES ARE SEATED TIGHTLY IMMEDIATELY BEFORE PLACING DIAPHRAGM CONCRETE.
- 3 SAWTEETH ARE FULL WIDTH - USE SAWTOOTH KEYS FROM BOTTOM OF BOTTOM FLANGE TO BOTTOM OF LOWEST HARPED STRAND AS WELL AS TOP FLANGE ADJACENT TO HARPED STRANDS AS SHOWN IN VIEW B - GIRDER DETAILS 1 OF 2.
- 4 LL AND LT ARE SHIPPING SUPPORT LOCATIONS AT LEADING AND TRAILING ENDS, RESPECTIVELY.



TRANSVERSE REINFORCING SKEWED ENDS

ONLY TRANSVERSE REINF. SHOWN

SPAN	GIRDER	END 1 TYPE	END 2 TYPE	L	LL	LT	θ ₁ (DEG.)	θ ₂ (DEG.)	P ₁	P ₂	PLAN LENGTH (ALONG GIRDER GRADE)	MIN. CONC. COMP. STRENGTH		HARPED		STRAIGHT		LOCATION OF C.G. STRANDS				D @ 40 DAYS	D @ 120 DAYS	L _d	
												@ FINAL F'C (KSI)	@ RELEASE F'CI (KSI)	NO. OF STRANDS	JACKING FORCE (KIPS)	NO. OF STRANDS	JACKING FORCE (KIPS)	E	F _℄	F _b	F _o				C
-	-	-	-	-	-	-	-	-	-	-	-	-	-	-	-	-	-	-	-	-	-	-	-	-	
-	-	-	-	-	-	-	-	-	-	-	-	-	-	-	-	-	-	-	-	-	-	-	-	-	

Last revised: 07/07/2020

SR JOB NO. 5.6-A3-2 SHEET

Bridge Design Engr.	M:\STANDARDS\Girders\W42G\W42G2.man	REGION NO.	STATE	FED. AID PROJ. NO.	SHEET NO.	TOTAL SHEETS
Supervisor		10	WASH.			
Designed By		JOB NUMBER				
Checked By						
Detailed By						
Bridge Projects Engr.						
Prelim. Plan By						
Architect/Specialist	DATE	REVISION	BY	APPD		

Tue Jul 07 11:39:51 2020

BRIDGE AND STRUCTURES OFFICE



STANDARD PRESTRESSED CONCRETE GIRDERS
W42G GIRDER DETAILS 2 OF 2

BRIDGE SHEET NO.
SHEET
OF
SHEETS