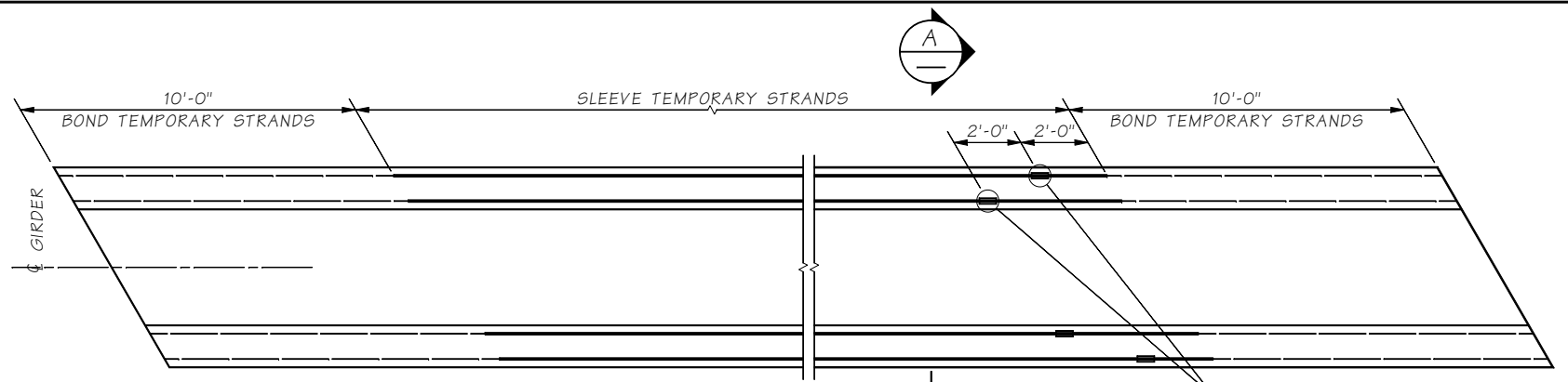


Last revised on : 5/23/2016

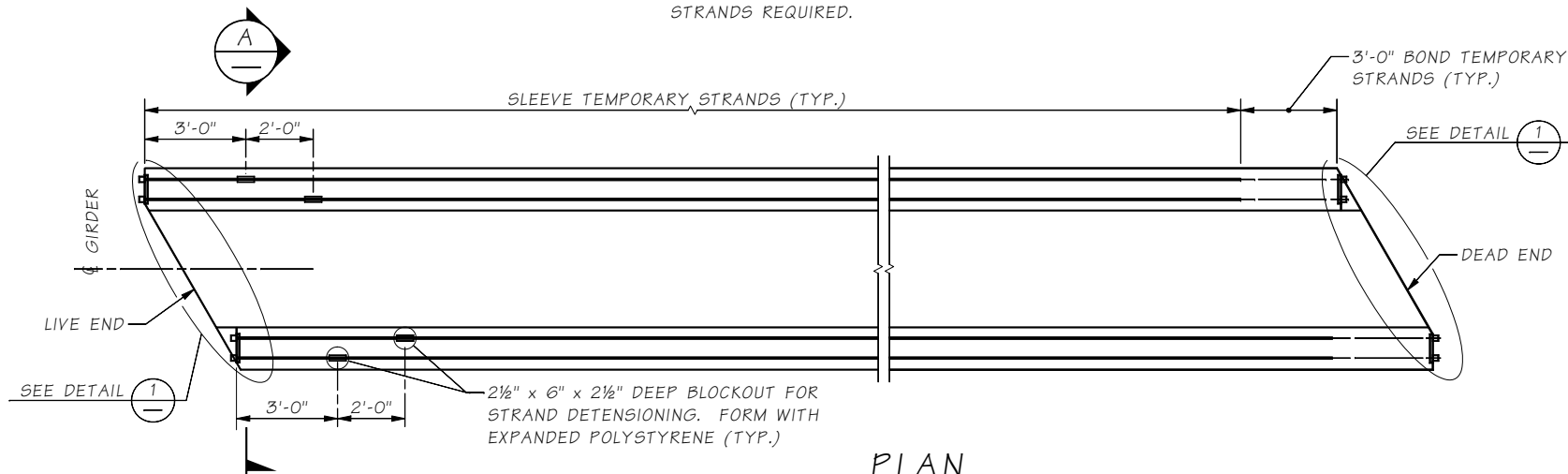
SR FILE NO. SHEET

5.6-A9-4



PLAN
PRETENSIONED TEMPORARY TOP STRANDS ALTERNATE

SEE GIRDER SCHEDULE FOR NUMBER OF TEMPORARY STRANDS REQUIRED.

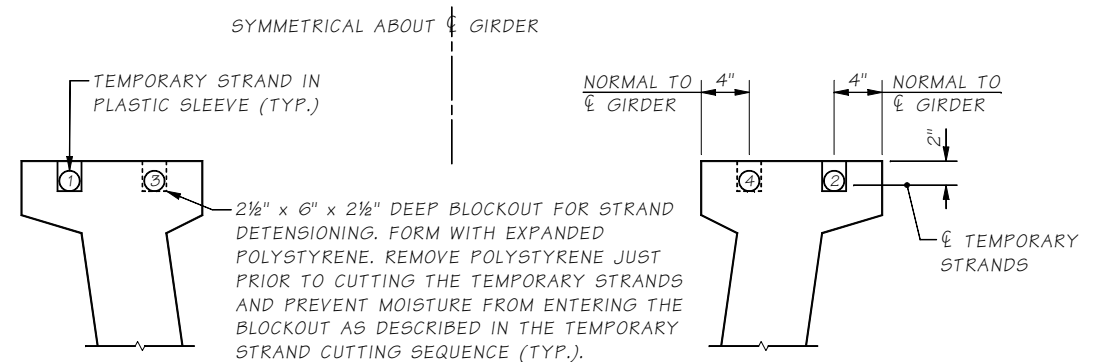


PLAN
POST-TENSIONED TEMPORARY TOP STRANDS ALTERNATE

SEE GIRDER SCHEDULE FOR NUMBER OF TEMPORARY STRANDS REQUIRED.

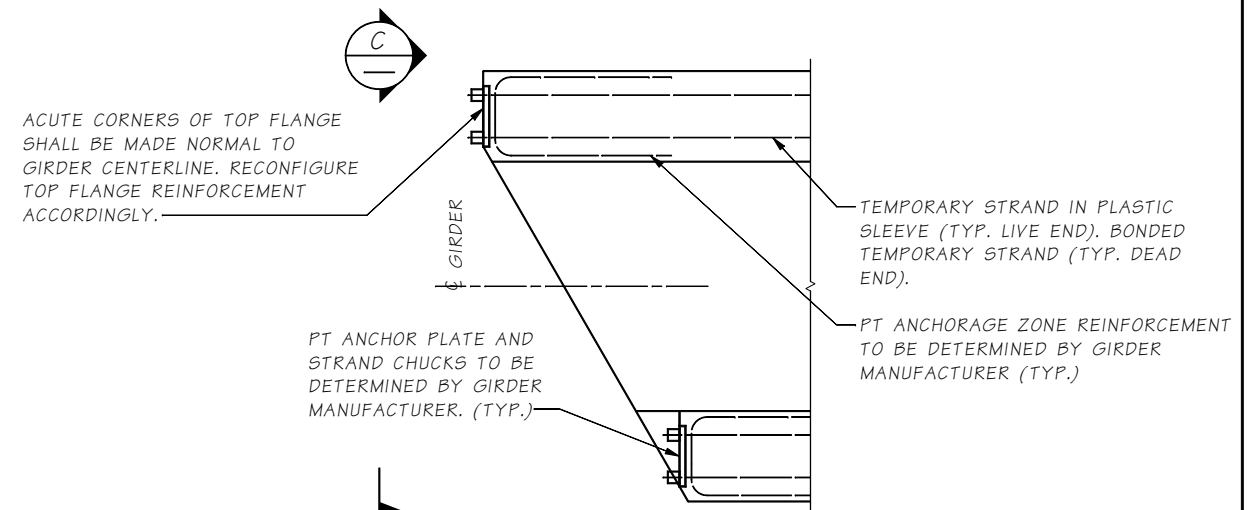
TEMPORARY STRAND NOTES

1. TEMPORARY TOP STRANDS SHALL BE EITHER PRETENSIONED OR POST-TENSIONED IN ACCORDANCE WITH STANDARD SPECIFICATION SECTION 6-02.3(25)L.
2. FOR GIRDERS ERECTED ON A LONGITUDINAL GRADE, STRAND DETENSIONING BLOCKOUTS SHALL BE PLACED AT THE LOW END OF THE GIRDER.
3. SEE "TEMPORARY STRAND CUTTING SEQUENCE" ON CONSTRUCTION SEQUENCE SHEET FOR TEMPORARY STRAND DETENSIONING PROCEDURE.

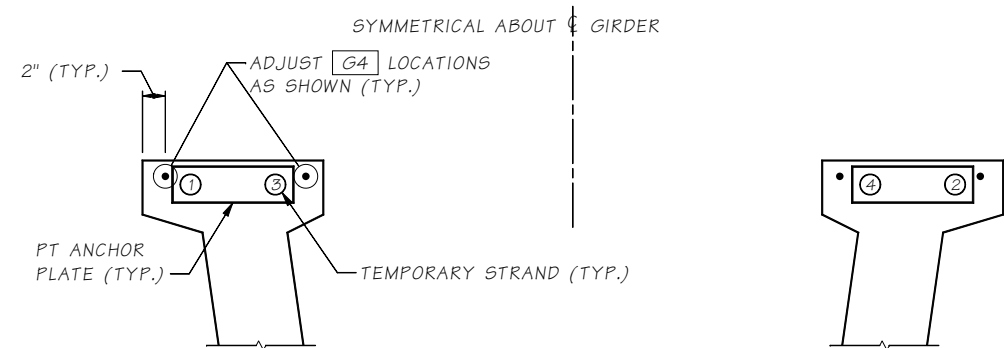


SECTION A

TEMPORARY STRAND LOCATION SEQUENCE SHALL BE AS SHOWN ①, ② ETC.



DETAIL 1
LIVE END SHOWN
DEAD END SIMILAR.



VIEW C

Bridge Design Engr.		M:\STANDARDS\Girders\Trapezoidal Tube\TUB GIRDER DETAILS 3 OF 3.MAN					
Supervisor		REGION NO.	STATE	FED. AID PROJ. NO.	SHEET NO.	TOTAL SHEETS	
Designed By		10	WASH.				
Checked By		JOB NUMBER					
Detailed By							
Bridge Projects Engr.							
Prelim. Plan By							
Architect/Specialist	DATE	REVISION	BY	APP'D			

BRIDGE AND STRUCTURES OFFICE



STANDARD PRESTRESSED CONCRETE GIRDERS

TUB GIRDER
DETAILS 3 OF 3

BRIDGE SHEET NO.
SHEET
OF
SHEETS