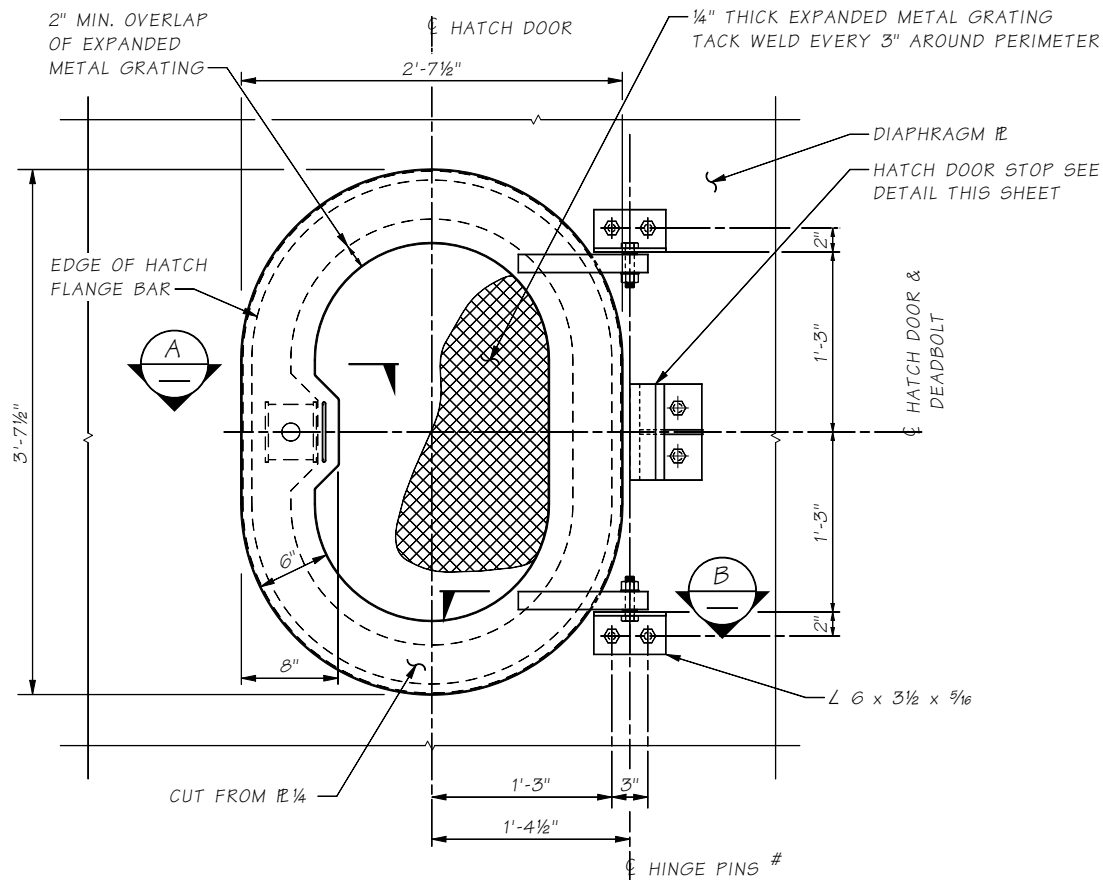
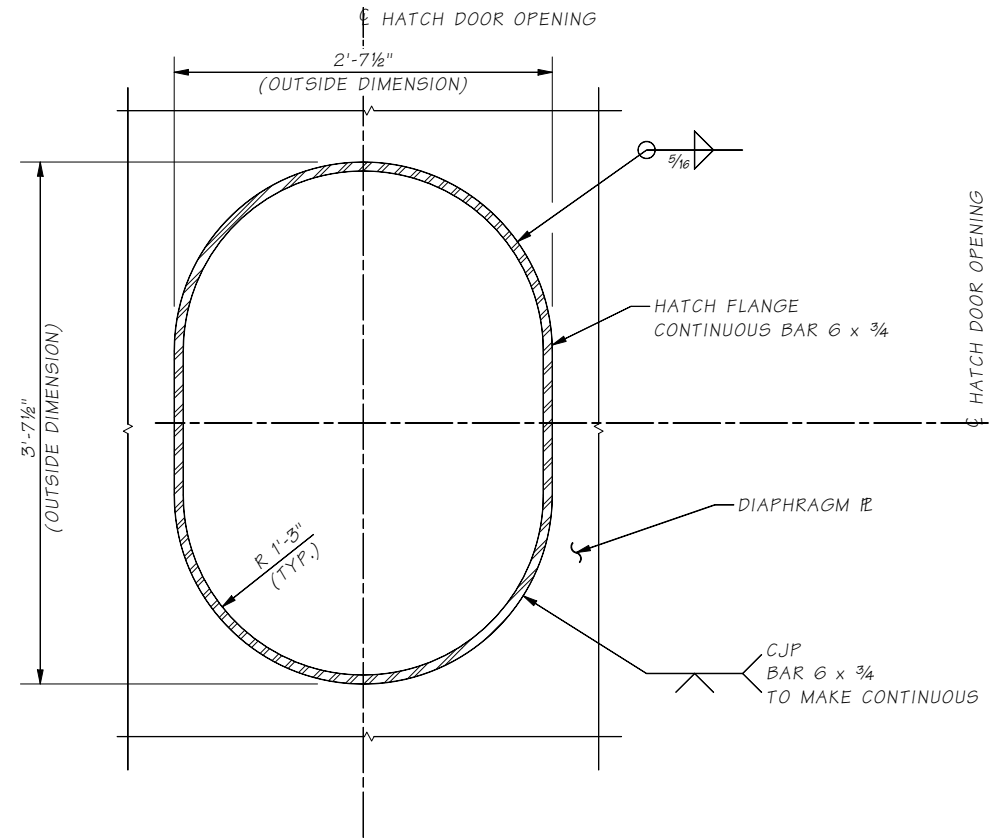


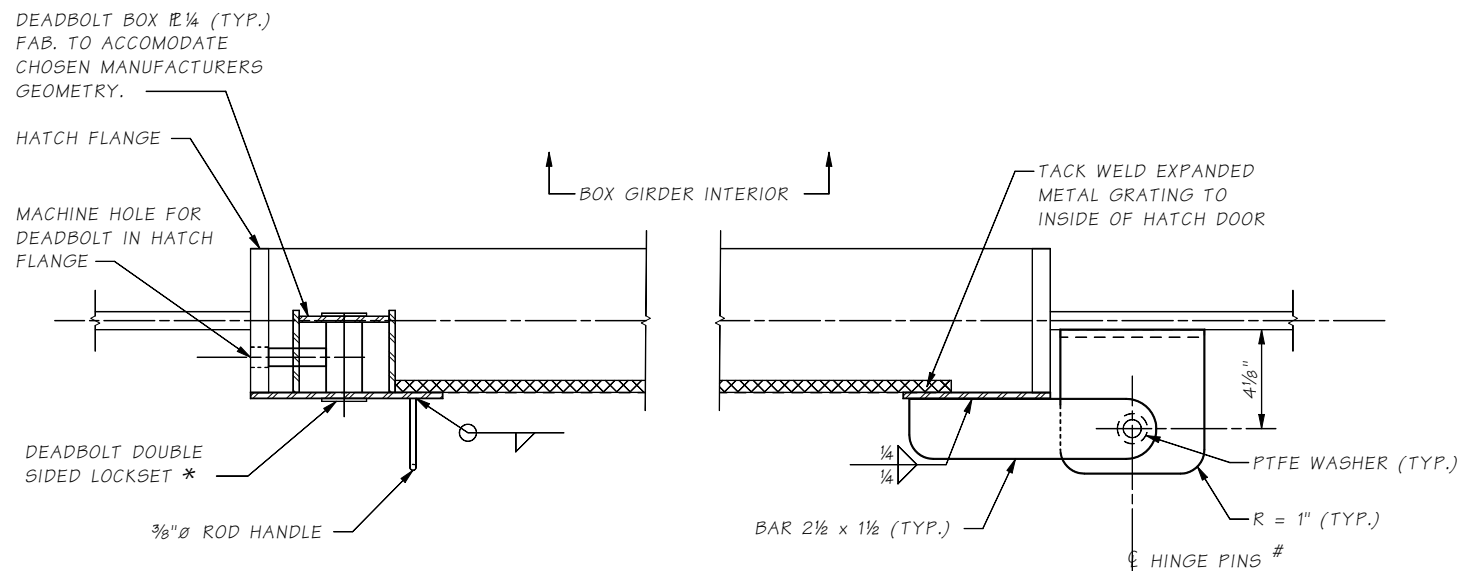
LAST REVISED 12-16-2014



HATCH DOOR DETAIL

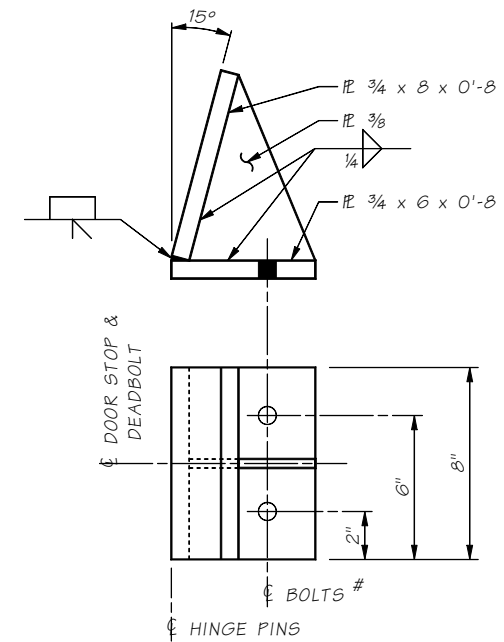


HATCH OPENING ELEVATION



SECTION A

SECTION B



HATCH DOOR STOP DETAIL

3/4" S.S. BOLT, TYPE 304 WITH MATCHING NUT. TACK WELD NUT TO BOLT AFTER INSTALLATION.

* LOCKSET SHALL BE HEAVY DUTY, SUITABLE FOR HEAVY EXPOSURE. ALL LOCKS SHALL BE KEYPED TO THE SAME MASTER.

6.4-A14

SR JOB NO. SHEET

Bridge Design Engr.	M:\STANDARDS\Structural Steel\564-A14.MAN				REGION NO.	STATE	FED. AID PROJ. NO.	SHEET NO.	TOTAL SHEETS
Supervisor					10	WASH.			
Designed By					JOB NUMBER				
Checked By									
Detailed By									
Bridge Projects Engr.									
Prelim. Plan By									
Architect/Specialist	DATE	REVISION	BY	APPD.					

BRIDGE AND STRUCTURES OFFICE



EXAMPLE - ACCESS HATCH DETAILS

BRIDGE SHEET NO. OF SHEETS