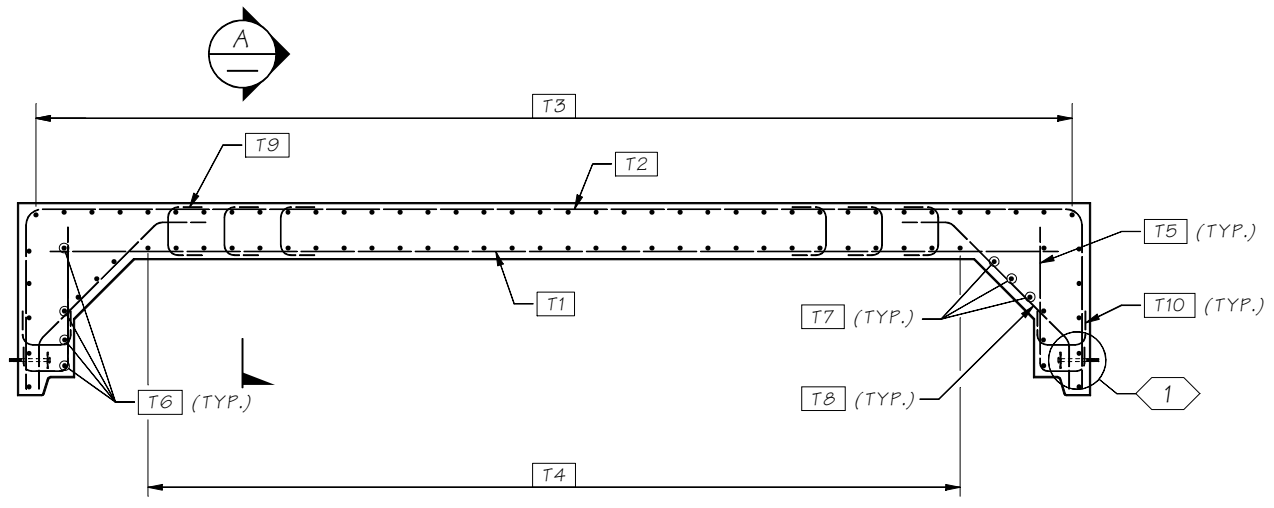
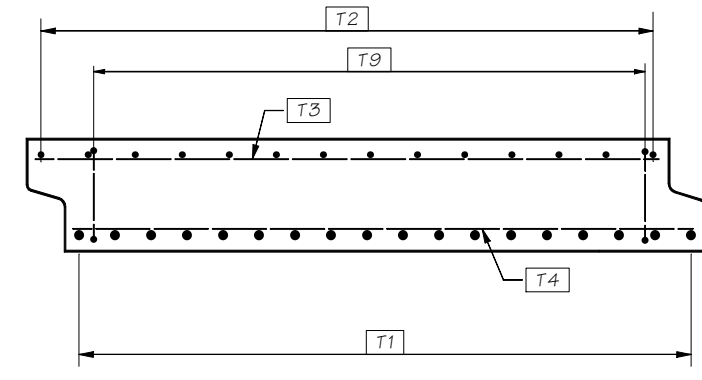


LAST REVISED: 07/07/2023

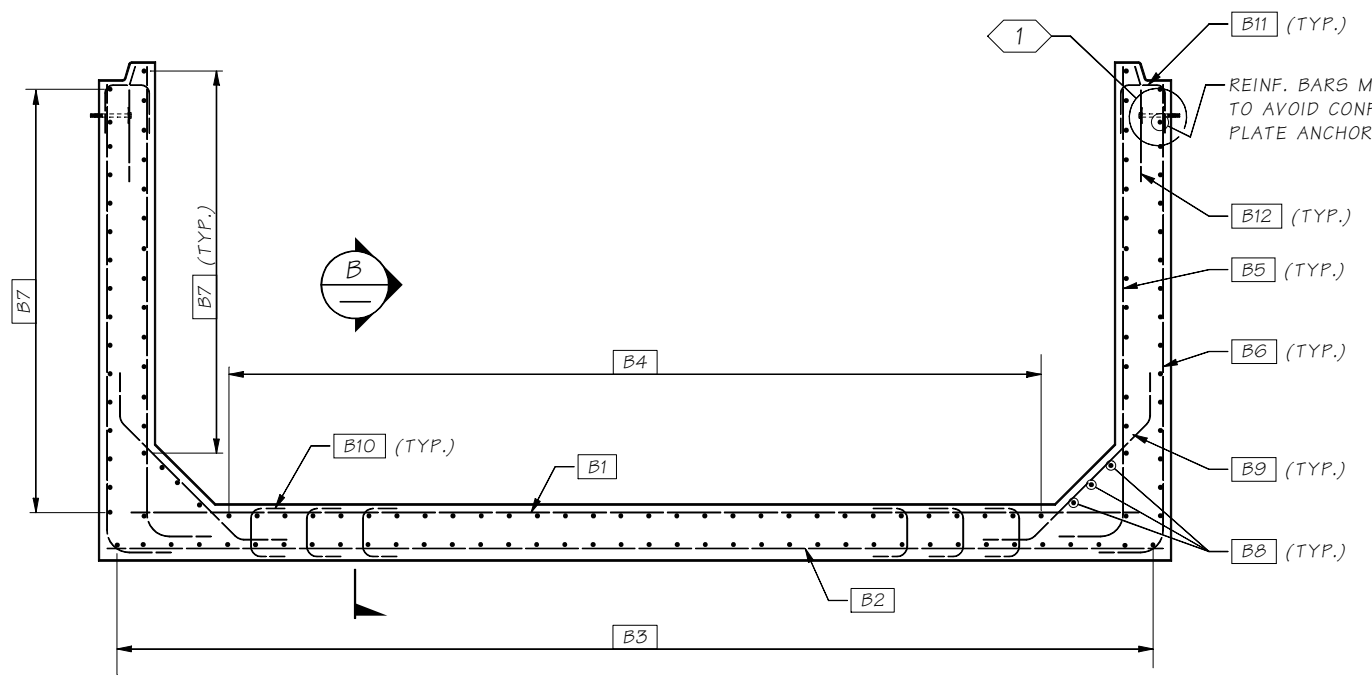
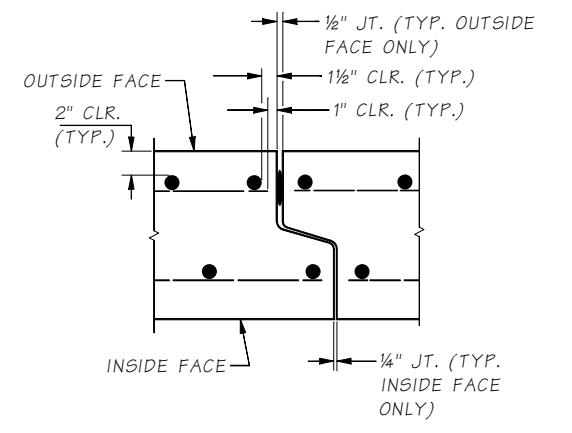
FILE NO. 8.3-A2-6 SR SHEET



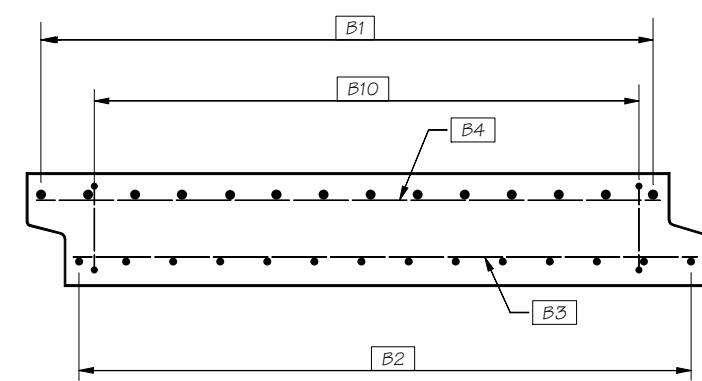
UPPER INTERIOR UNIT ELEVATION
SEE BR. SHT. === FOR HEADWALL REINFORCEMENT



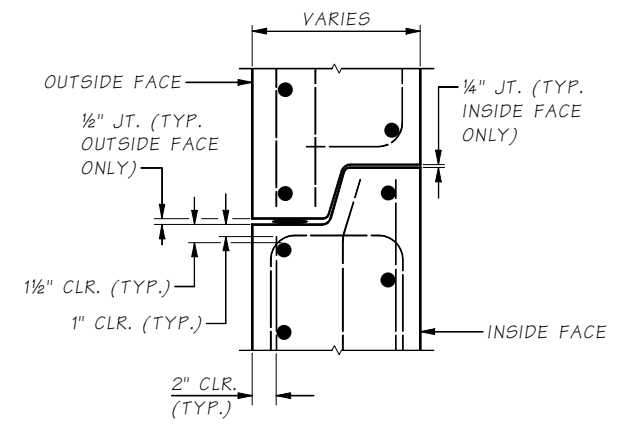
SECTION A



LOWER UNIT ELEVATION



SECTION B



REBAR AT JOINT DETAILS

NOTES:

1 SEE BRIDGE STANDARD DRAWING 8.3-A2.8 FOR VERTICAL TIE PLATE CONNECTION DETAILS

Bridge Design Engr.	M:\STANDARDS\Buried Structures\BURIED STRUCTURES\8.3_A2.6 SB Unit Reinforcement Details.MAN						
Supervisor			REGION NO.	STATE	FED. AID PROJ. NO.	SHEET NO.	TOTAL SHEETS
Designed By			10	WASH.			
Checked By			JOB NUMBER				
Detailed By							
Bridge Projects Engr.							
Prelim. Plan By							
Architect/Specialist	DATE	REVISION	BY	APPD			

BRIDGE AND STRUCTURES OFFICE



SPLIT BOXES
UNIT REINFORCEMENT DETAILS

BRIDGE SHEET NO.
SHEET
OF
SHEETS