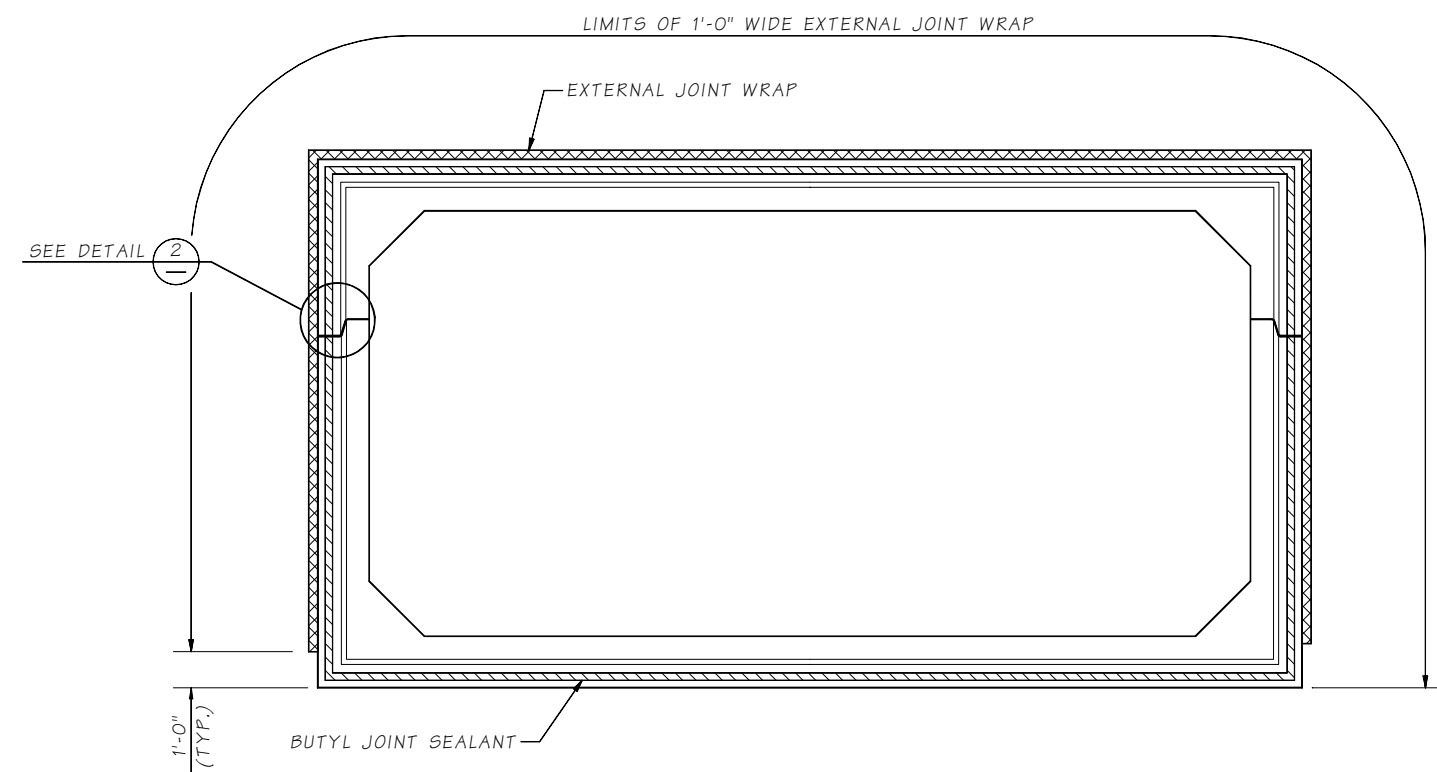
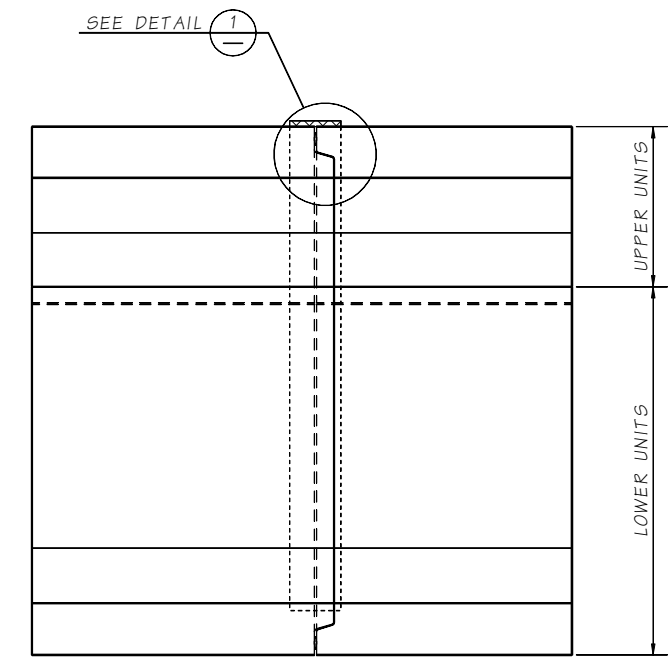


DETAIL 1

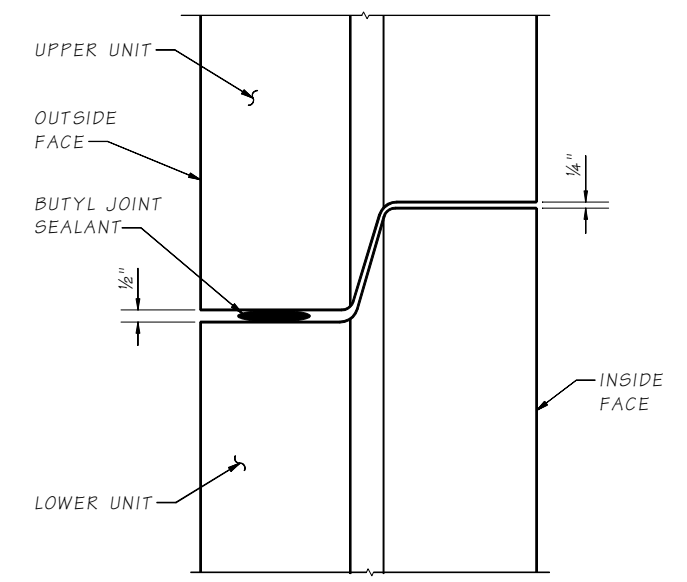


SECTION A

TYPICAL EXCEPT EXTERIOR SIDE OF END UNITS



SECTION B



DETAIL 2

LAST REVISED: 07/07/2023

SHEET

JOB NO. SR

8.3-A2-7

Bridge Design Engr.	M:\STANDARDS\Buried Structures\BURIED STRUCTURES\8.3_A2_7 SB Joint Sealing Details.MAN							REGION NO.	STATE	FED. AID PROJ. NO.	SHEET NO.	TOTAL SHEETS
Supervisor							10	WASH.				
Designed By							JOB NUMBER					
Checked By												
Detailed By												
Bridge Projects Engr.												
Prelim. Plan By												
Architect/Specialist	DATE	REVISION	BY	APPD								

BRIDGE AND STRUCTURES OFFICE



SPLIT BOXES

JOINT SEALING DETAILS

BRIDGE SHEET NO.

SHEET

OF

SHEETS