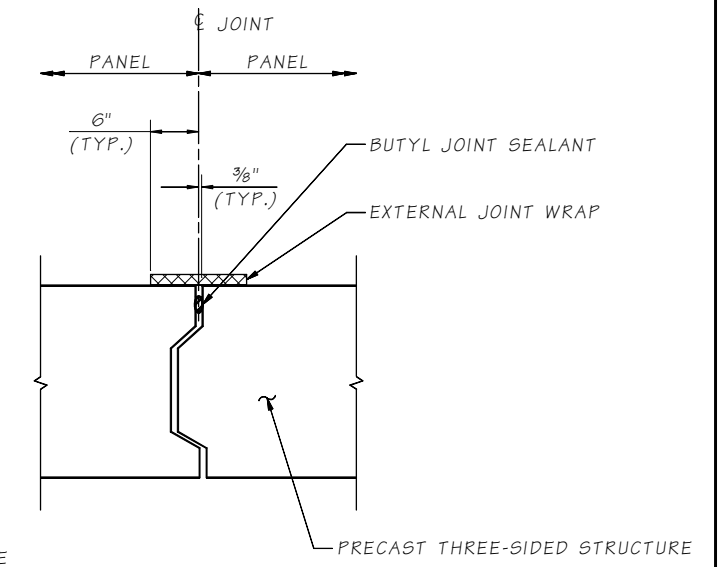
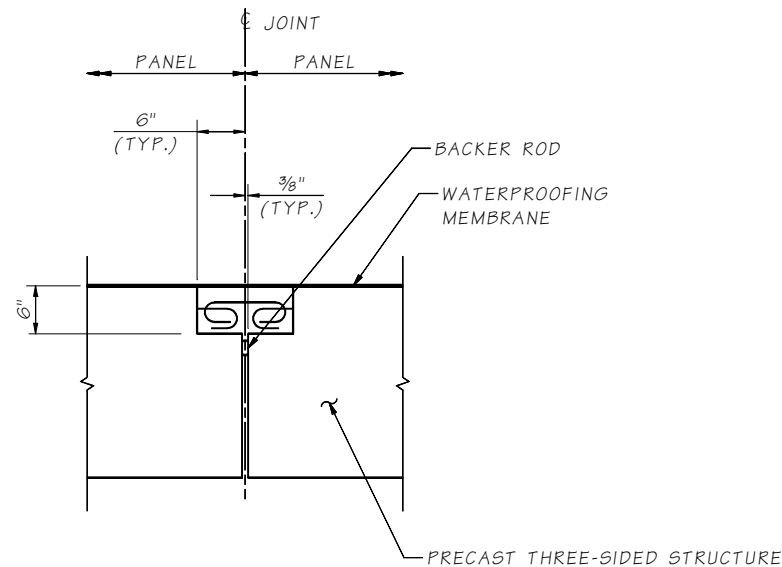
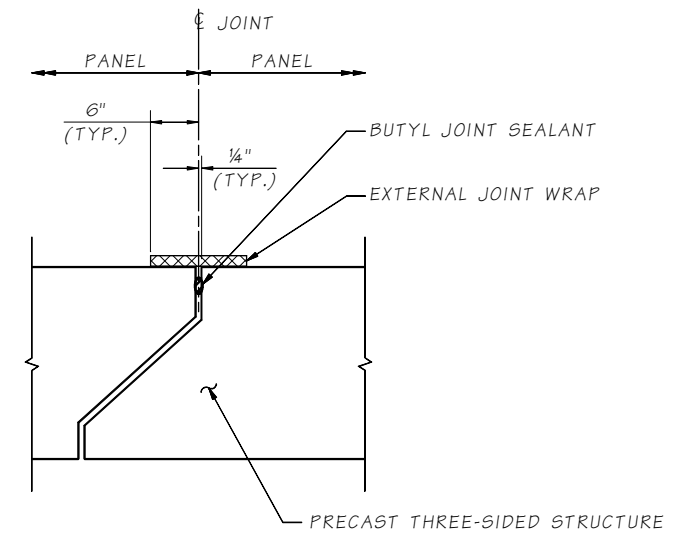
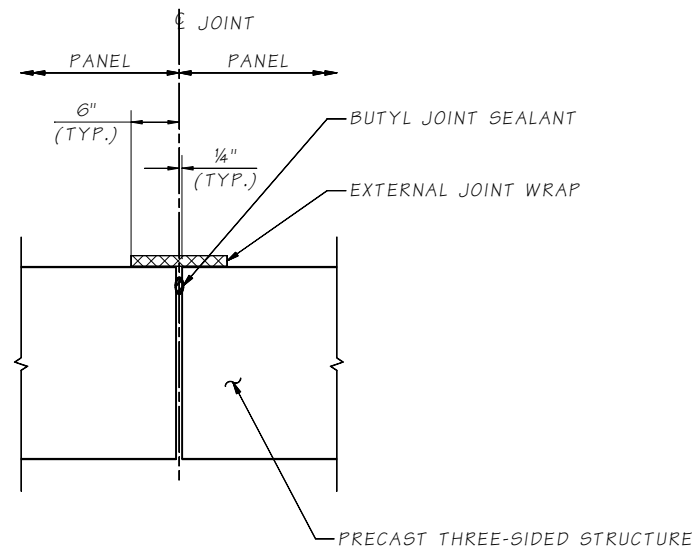
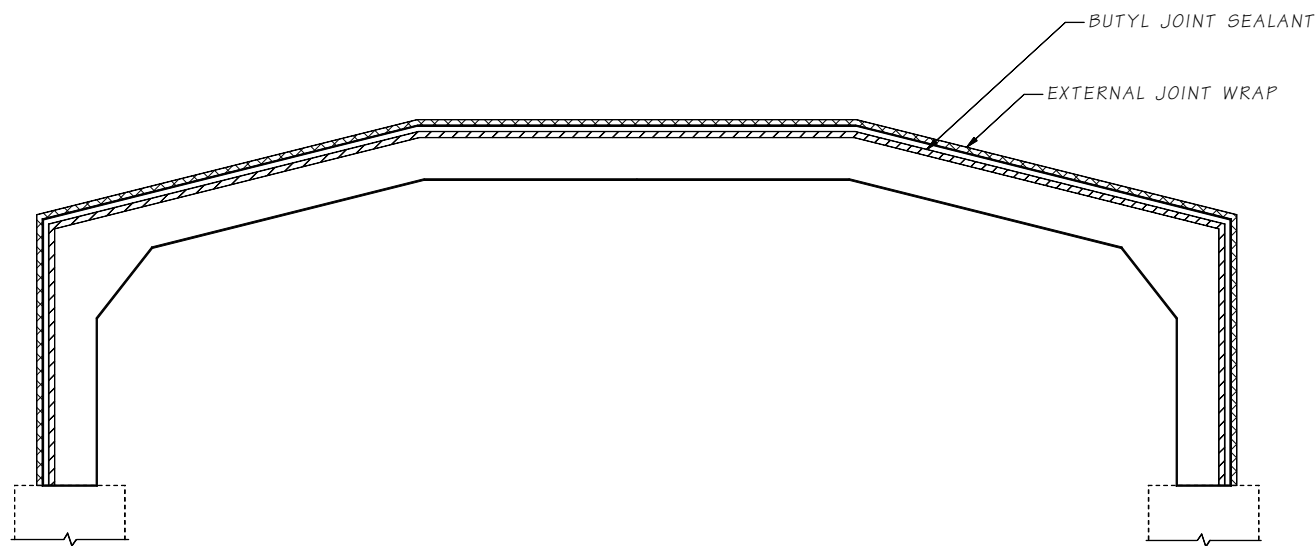
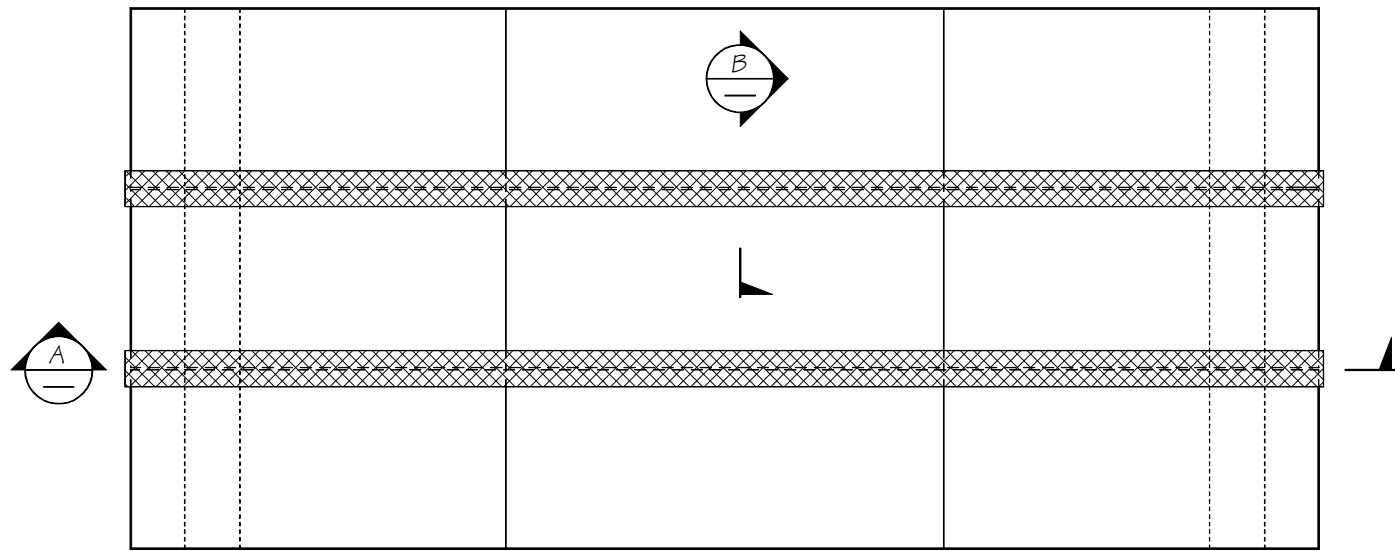


LAST REVISED: 07/07/2023

SHEET

SR JOB NO.

8.3-A3-8



**GENERAL NOTES:**

- SUGGESTED CONNECTION DETAILS SHOWN. ALTERNATIVE CONNECTION DETAILS MAY BE PROPOSED BY THE CONTRACTOR. ALL PROPOSED DETAILS MUST BE SUBMITTED TO THE DESIGN ENGINEER FOR ACCEPTANCE AND APPROVAL.

Bridge Design Engr.	M:\STANDARDS\Buried Structures\BURIED STRUCTURES\8.3_A3_5 TSS Longitudinal Joint Details.MAN					REGION NO.	STATE	FED. AID PROJ. NO.	SHEET NO.	TOTAL SHEETS
Supervisor						10	WASH.			
Designed By						JOB NUMBER				
Checked By										
Detailed By										
Bridge Projects Engr.										
Prelim. Plan By										
Architect/Specialist	DATE	REVISION	BY	APPD						

BRIDGE AND STRUCTURES OFFICE



THREE-SIDED STRUCTURES

LONGITUDINAL JOINT DETAILS

BRIDGE SHEET NO.  
SHEET  
OF  
SHEETS