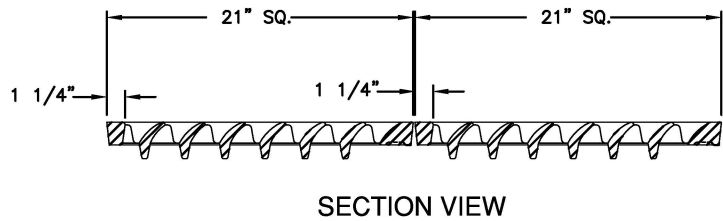
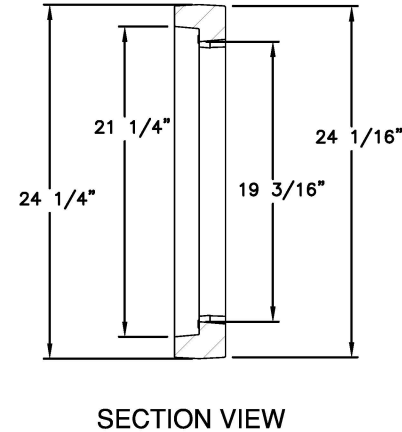
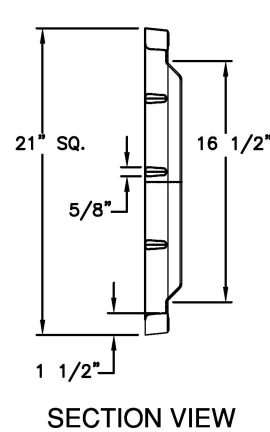
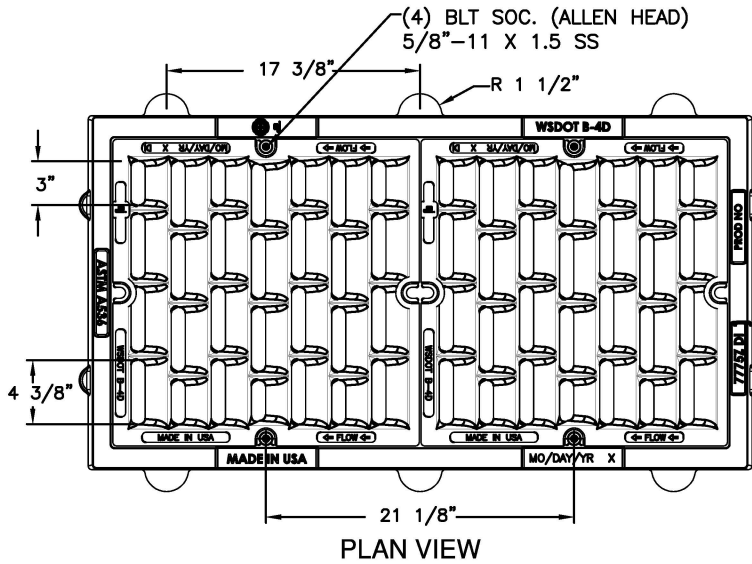
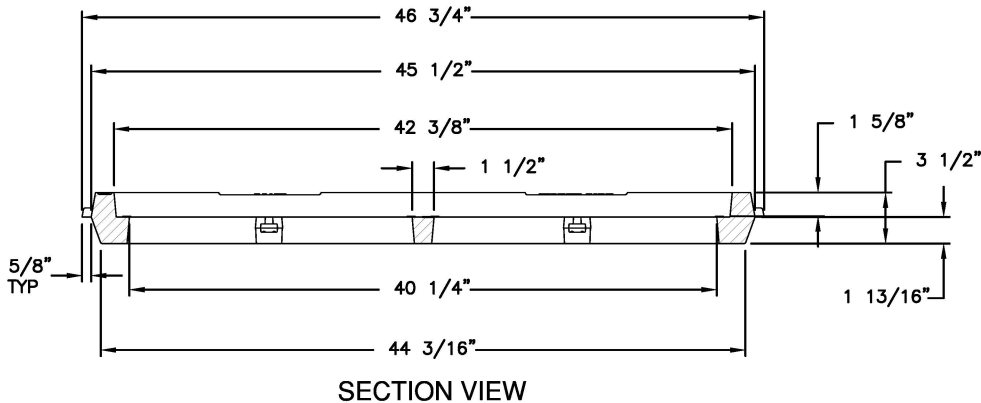
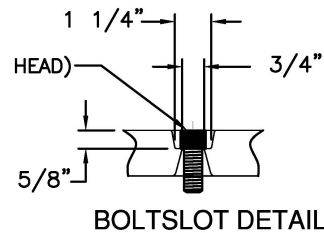


7775Z M Assembly



(4) BLT SOC. (ALLEN HEAD)
5/8"-11 X 2 S.S.



Product Number
00777502

Design Features

- Materials
 - Frame
Ductile Iron (80-55-06)
 - Grate
Ductile Iron (80-55-06)

- Design Load
Heavy Duty
- Open Area
260 Sq. In.
- Coating
Dipped
- ✓ Designates Machined Surface

Certification

- ASTM A536
- AASHTO M105
- AASHTO M306
- Country of Origin: USA

Major Components

00777515
00777533

Drawing Revision

10/11/2004 Designer: DEW
8/20/2013 Revised By: DAE

Disclaimer

Weights (lbs./kg) dimensions (inches/mm) and drawings provided for your guidance. We reserve the right to modify specifications without prior notice.

CONFIDENTIAL: This drawing is the property of EJ GROUP, Inc., and embodies confidential information, registered marks, patents, trade secret information, and/or know how that is the property of EJ GROUP, Inc. Copyright © 2011 EJ GROUP, Inc. All rights reserved.

Contact

800 626 4653
ejco.com