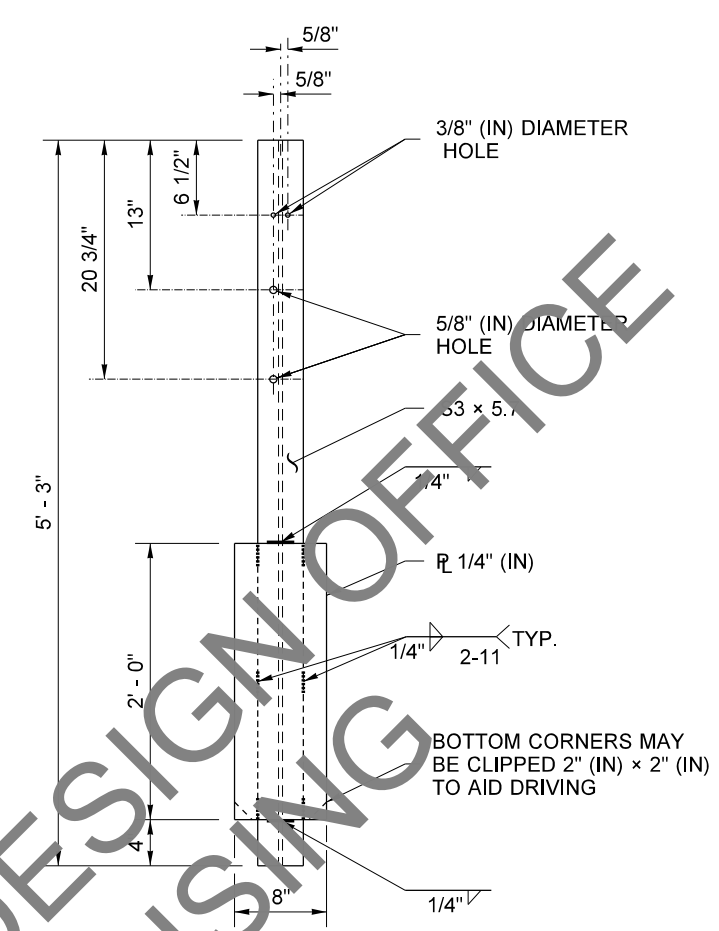
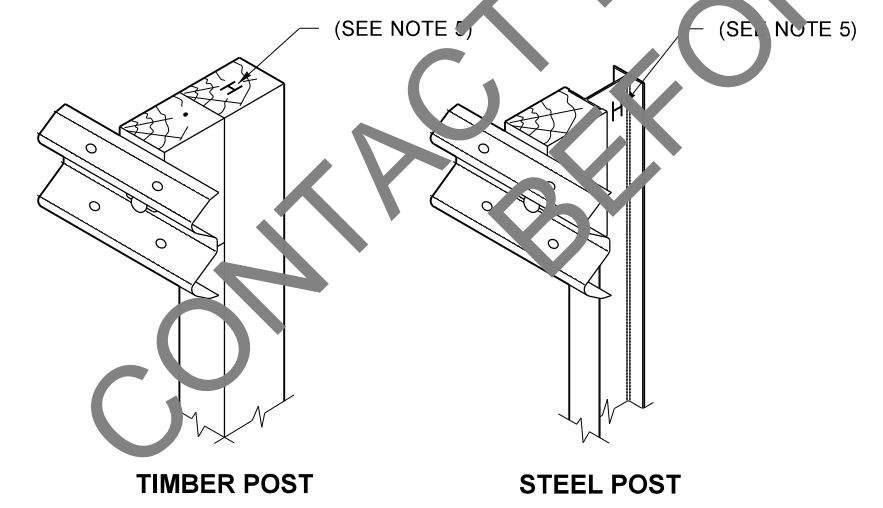


FRONT VIEW
SIDE VIEW
ANCHOR POST ASSEMBLY

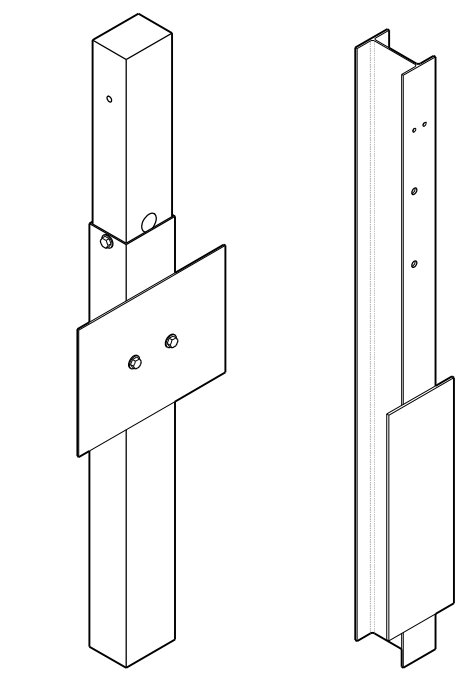


G-2 POST



TIMBER POST
STEEL POST

PARTIAL ASSEMBLY DETAIL

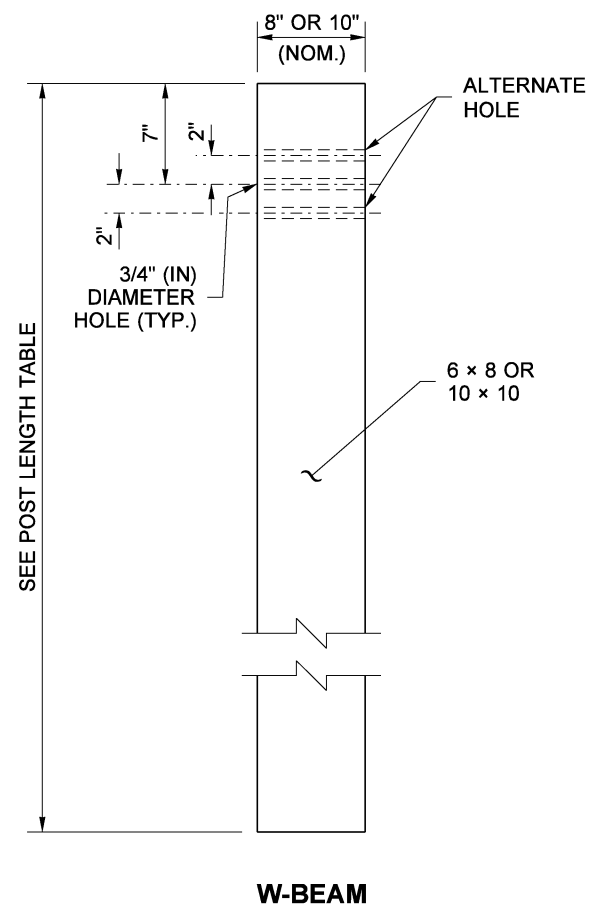


ANCHOR POST
G-2 POST
ISOMETRIC

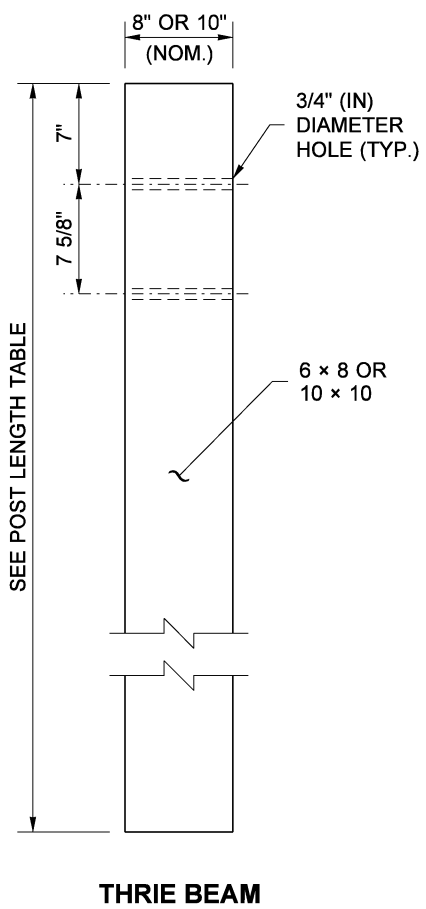
NOTES

1. Wood posts for all guardrail placement plans shall be 6 x 8 except where noted otherwise.
2. Lower hole is for Rub Rail of Type 2 and Type 3 Beam Guardrail.
3. W6x8.5 or W6x9 steel posts and timber blocks are alternates for 6x8 timber posts and blocks. W6x15 steel posts and timber blocks are alternates for 10x10 timber posts and blocks.
4. Attach blockouts to steel posts using bolt holes on approaching traffic side of post web.
5. When "Beam Guardrail Type - ___ Ft. Long Post" is specified in the Contract, the post length shall be stamped with numbers, 1 1/2" (in) min. high and 3/4" (in) wide at the location where the letter "H" is shown in the ASSEMBLY DETAIL. For wood post applications, the letter shall be stamped to a minimum depth of 1/4" (in). For steel post applications, the letter shall be legible after the post is galvanized. After post installation, it shall be the Contractor's responsibility to ensure the stamped numbers remain visible.
6. Soil plate may be welded to foundation tube. If so, holes in soil plate and foundation tube may be omitted.

FILE NAME S:\Design R P& S\4-Standards\2-Plan Sheet Library\01-Master PSL\TB Traffic Barrier\TB (C-conversions) for 2022\TB-120 (cib).dgn				REGION NO. STATE		FED. AID PROJ. NO.		Washington State Department of Transportation		BEAM GUARDRAIL POSTS AND BLOCKS		TB-120	
TIME 10:20:09 AM				10 WASH				Washington State Department of Transportation				SHEET 1 OF 2 SHEETS	
DATE 7/18/2022				JOB NUMBER									
PLOTTED BY liddelf				CONTRACT NO.		LOCATION NO.							
DESIGNED BY													
ENTERED BY													
CHECKED BY													
PROJ. ENGR.													
REGIONAL ADM.				REVISION		DATE BY		P.E. STAMP BOX		P.E. STAMP BOX			

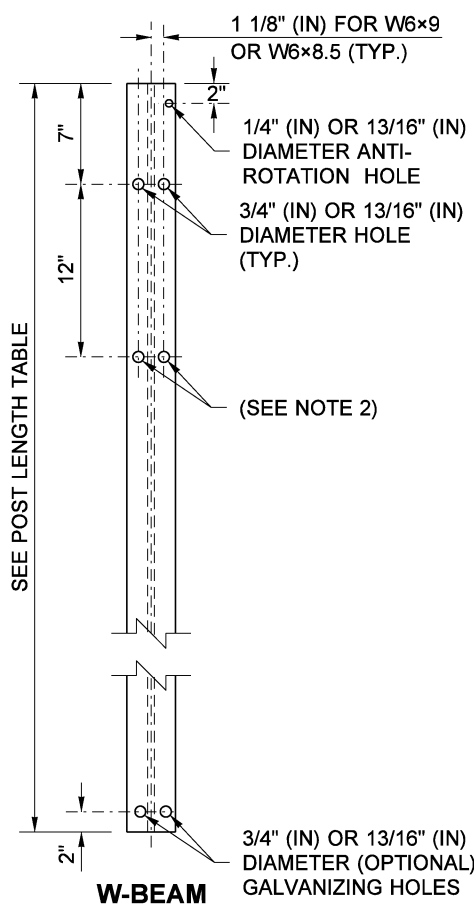


W-BEAM

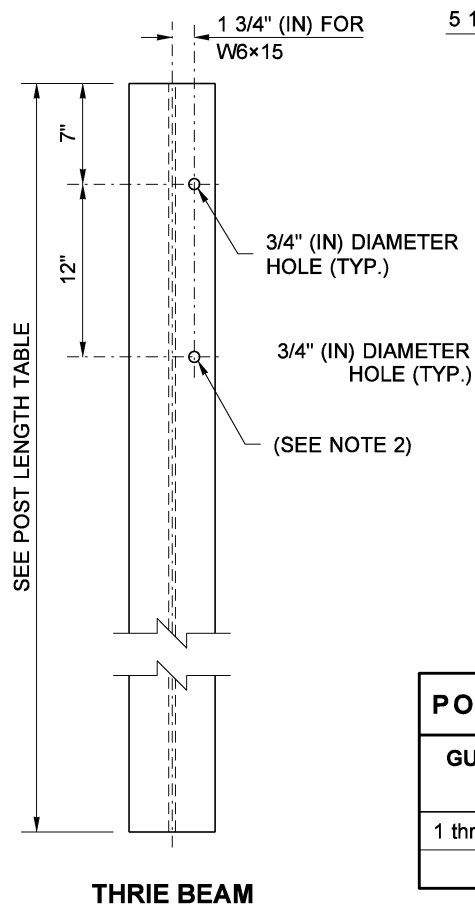


THRIE BEAM

WOOD POST



W-BEAM

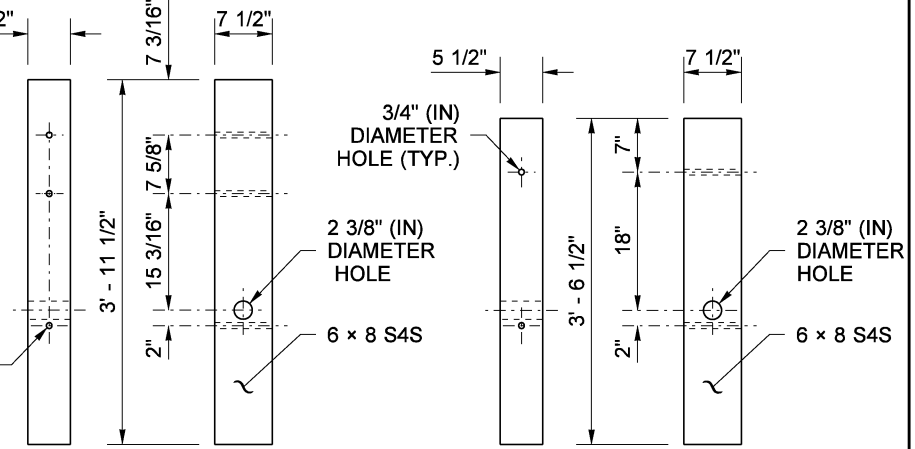


THRIE BEAM

STEEL POST
(SEE NOTES 3 AND 4)

POST LENGTH TABLE	
GUARDRAIL TYPE	LENGTH
1 through 4 & 31	6' - 0" *
10 or 11	6' - 6"

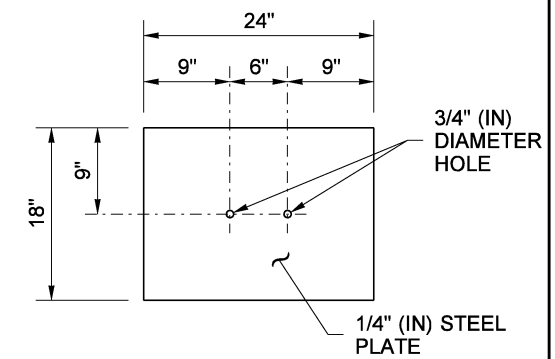
* SEE CONTRACT FOR "BEAM GUARDRAIL TYPE - __ FT. LONG POST" LENGTHS. (SEE NOTE 5)



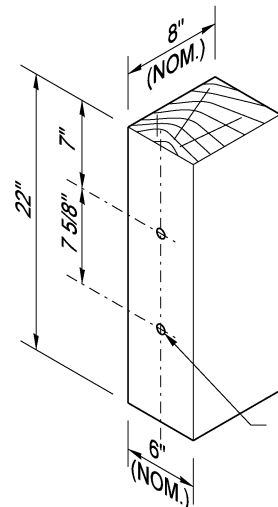
THRIE BEAM

W-BEAM

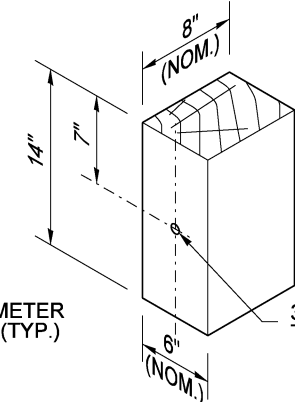
WOOD BREAKAWAY POST



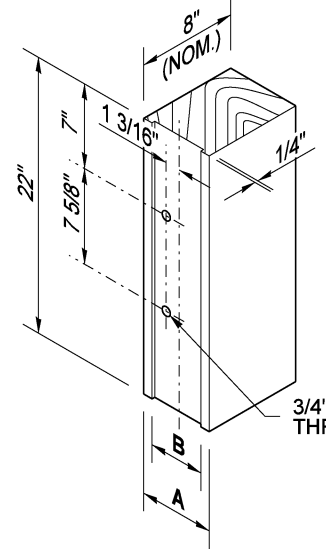
SOIL PLATE



THRIE BEAM WOOD BLOCK FOR WOOD POST



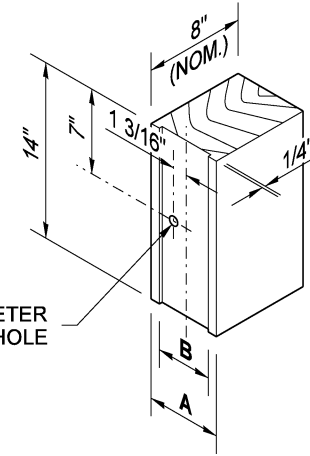
W-BEAM WOOD BLOCK FOR WOOD POST



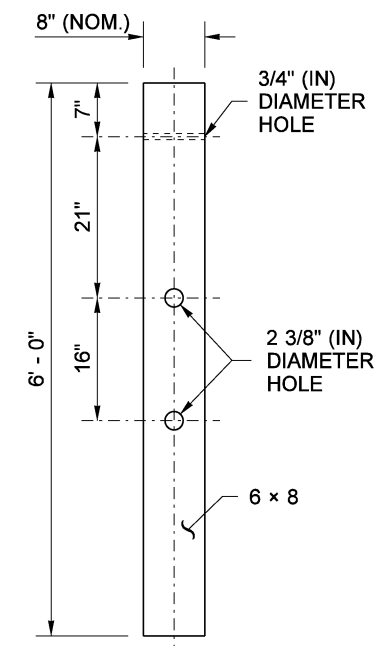
THRIE BEAM WOOD BLOCK FOR STEEL POST

POST	A	B
W6 x 8.5	8" * *	6 1/4"
W6 x 15	8" * *	6 1/4"
W6 x 9	6" * *	4 1/4"

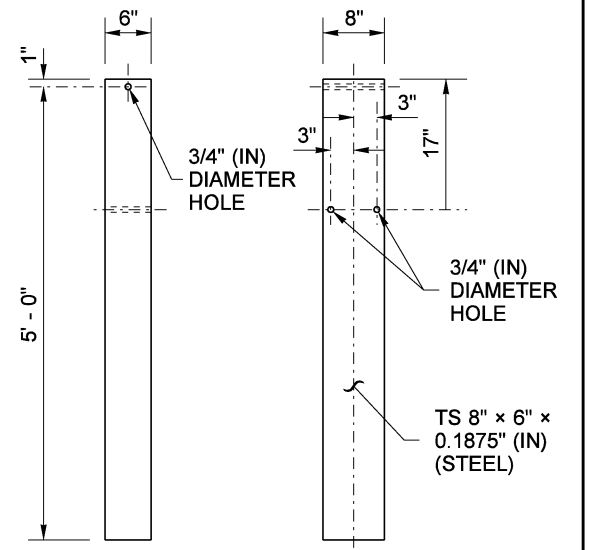
* * NOMINAL (NOM.)



W-BEAM WOOD BLOCK FOR STEEL POST



CONTROLLED RELEASING TERMINAL (CRT) POST



FOUNDATION TUBE

FILE NAME	S:\Design R P& S\4-Standards\2-Plan Sheet Library\01-Master_PSL\TB\Traffic Barrier\TB (C-conversions) for 202\TB-I20 (cib).dgn				REGION NO.	STATE	FED. AID PROJ. NO.
TIME	10:58:03 AM				10	WASH	
DATE	7/18/2022				JOB NUMBER		
PLOTTED BY	liddelf				CONTRACT NO.		LOCATION NO.
DESIGNED BY							
ENTERED BY							
CHECKED BY							
PROJ. ENGR.							
REGIONAL ADM.	REVISION	DATE	BY				



BEAM GUARDRAIL POSTS AND BLOCKS

PLOT2
TB-1b
SHEET 2 OF 2 SHEETS