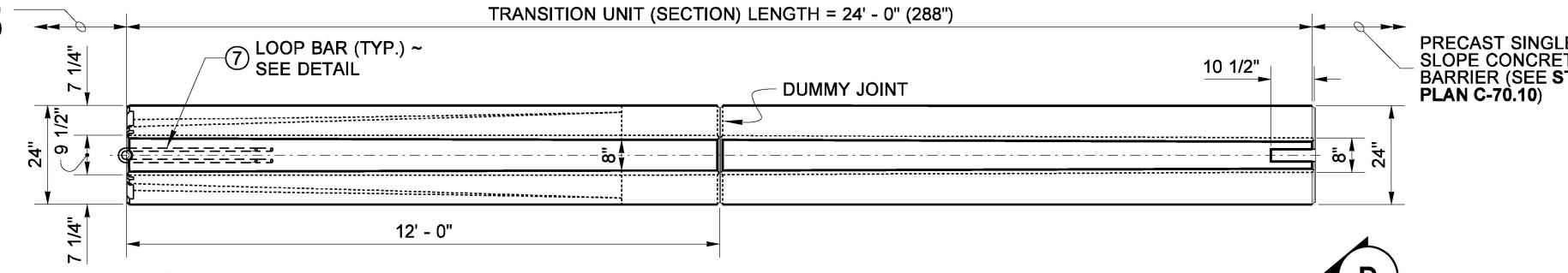


DRAWN BY: BILL BERENS

PRECAST TYPE F CONCRETE BARRIER, ANCHORED (SEE STD. PLAN C-60.10)

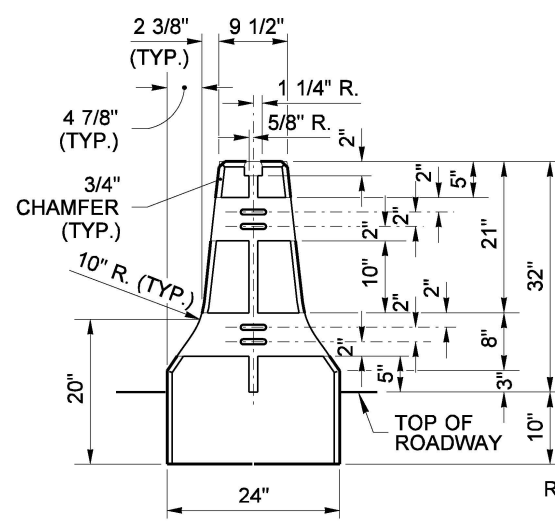
TRANSITION UNIT (SECTION) LENGTH = 24' - 0" (288")



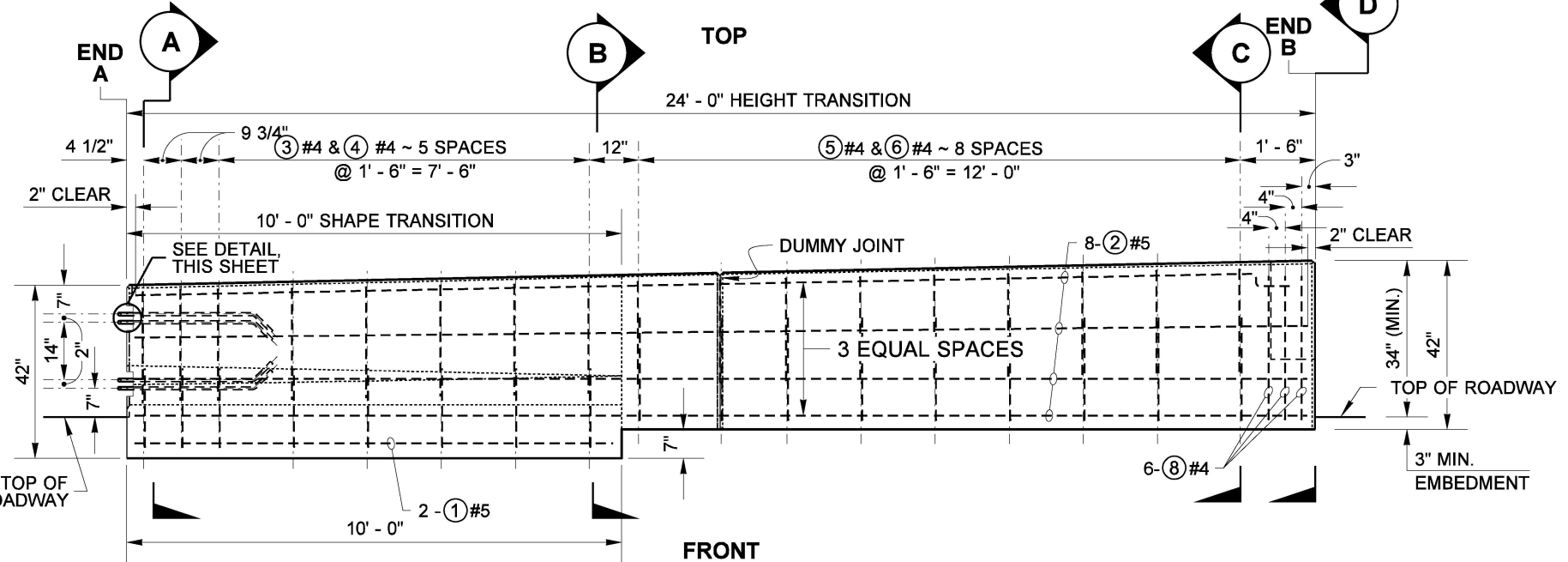
PRECAST SINGLE SLOPE CONCRETE BARRIER (SEE STD. PLAN C-70.10)

NOTES

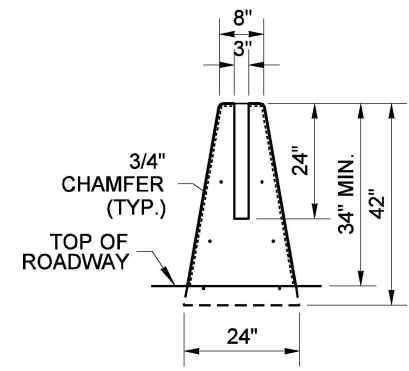
- Concrete shall be Class 5000.
- Remove slack between barrier segments after inserting the connecting pin.
- See **Standard Plan C-60.10** and **C-60.70** for anchoring the Type F barrier adjacent to the transition.
- Provide 2" (in) minimum concrete cover over reinforcing steel, except for areas noted on plan.
- Connecting Pin head designs vary among different manufacturers. Pin designs that are shaped differently than those shown in the detail are acceptable, if the bearing surface is within the minimum and maximum widths specified.



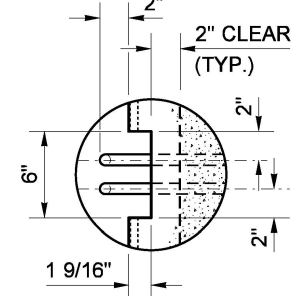
END A (CONNECT TO TYPE F)



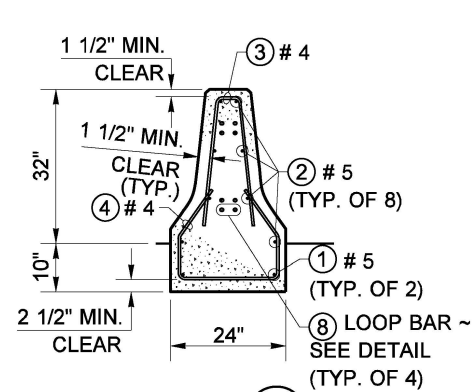
FRONT



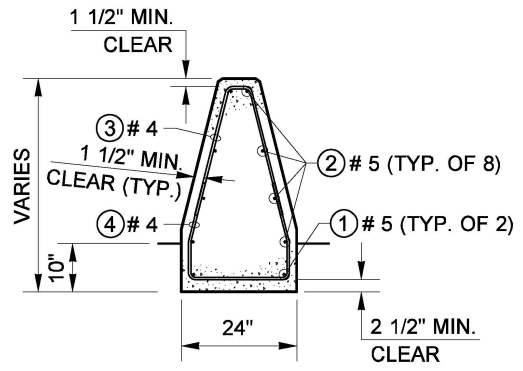
END B (CONNECT TO PRECAST SINGLE-SLOPE)



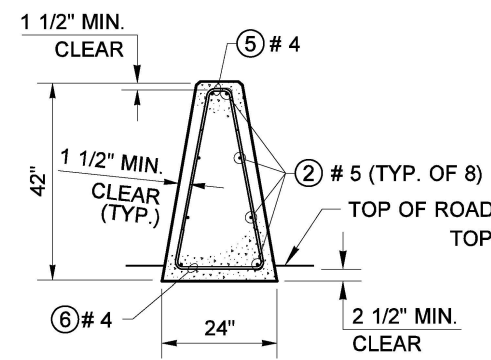
TYPICAL SLOT DETAIL - END A



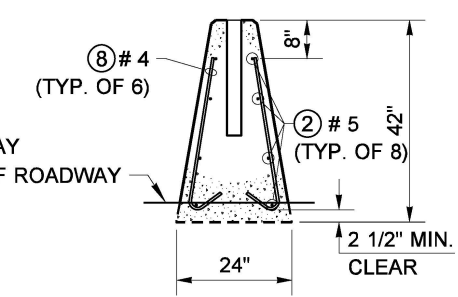
SECTION A



SECTION B

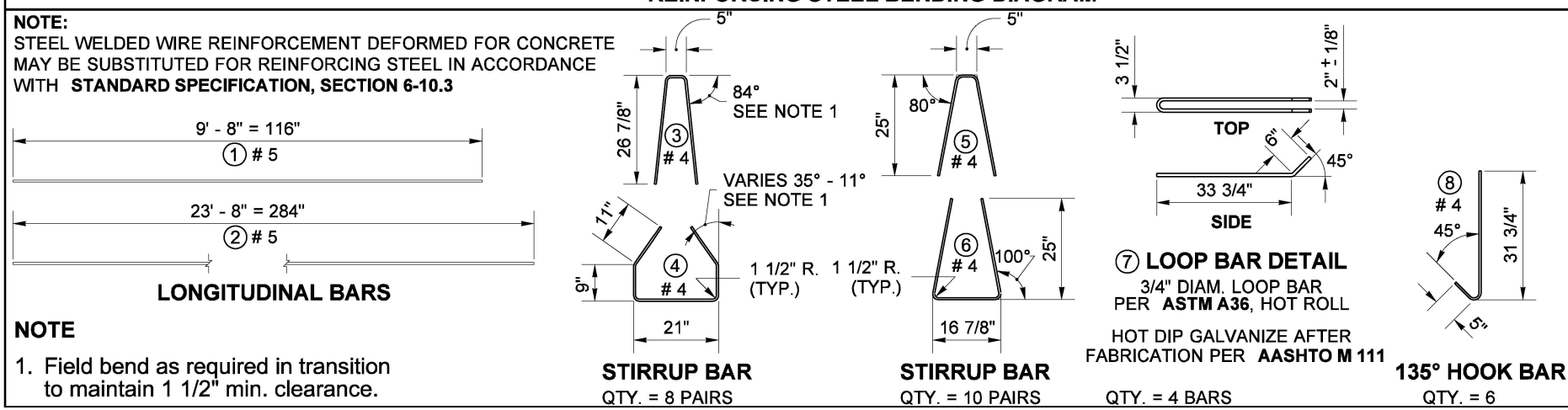


SECTION C



SECTION D

REINFORCING STEEL BENDING DIAGRAM



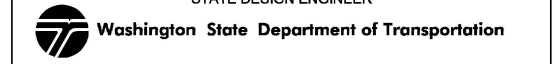
Jul 18, 2024

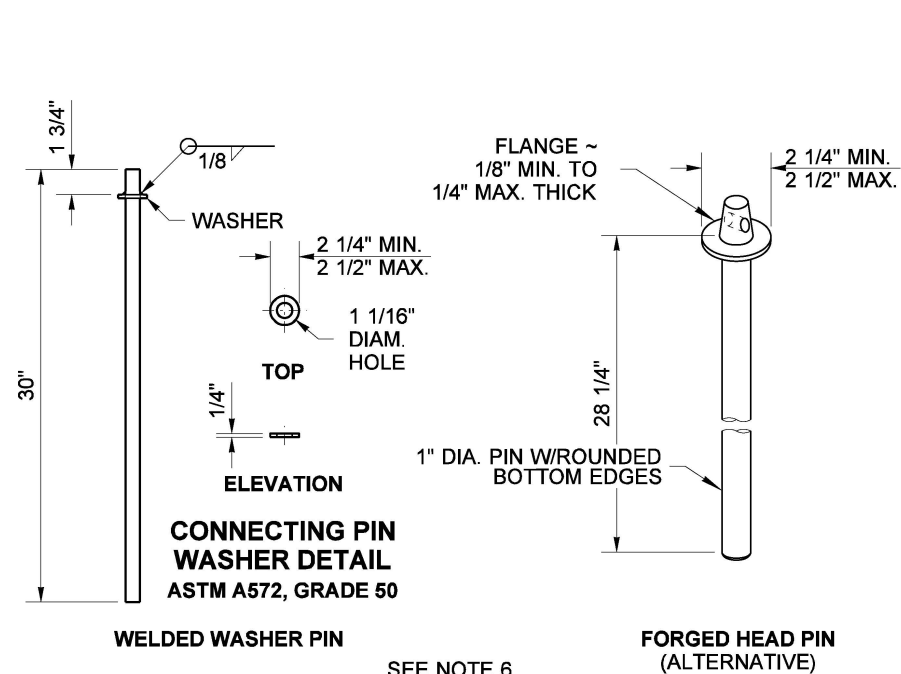
TYPE F TO PRECAST SINGLE-SLOPE BARRIER TRANSITION (PRECAST)
STANDARD PLAN C-60.45-01

SHEET 1 OF 2 SHEETS

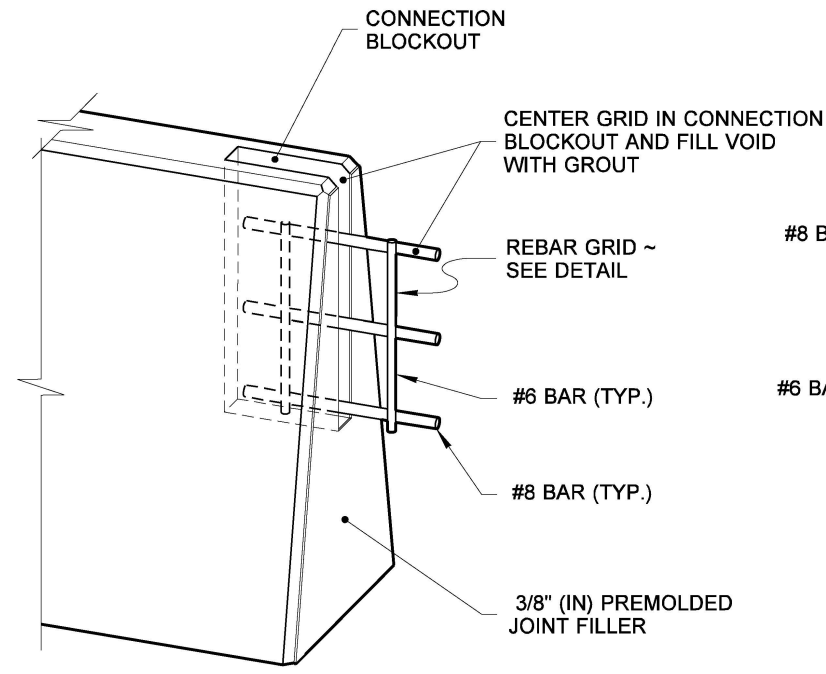
APPROVED FOR PUBLICATION

Mark A. Davis Jul 21, 2024
 STATE DESIGN ENGINEER

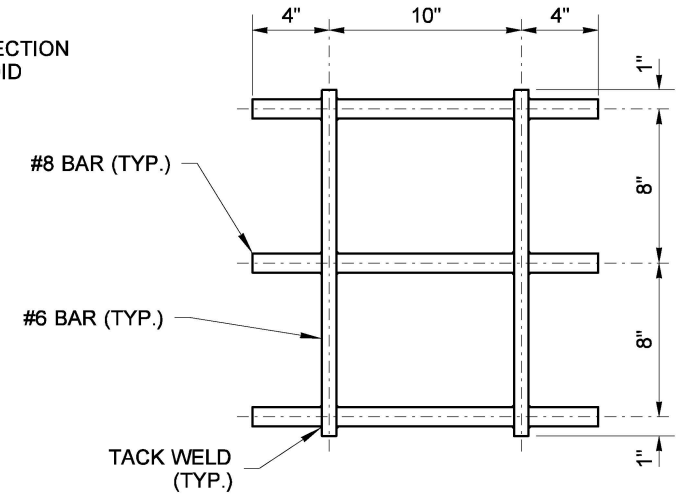




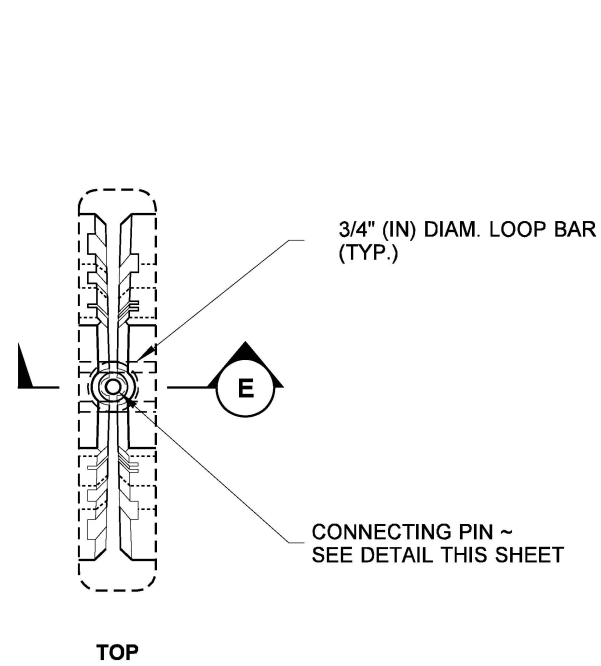
SEE NOTE 6
CONNECTING PIN ASSEMBLY DETAIL
1" DIAMETER PER ASTM A449
HOT DIP GALVANIZE AFTER
FABRICATION PER ASTM F2329



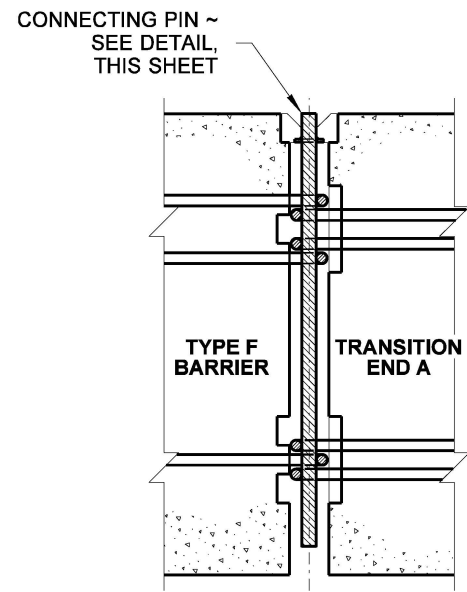
BARRIER CONNECTION DETAIL



REBAR GRID DETAIL



JOINING TWO BARRIER SEGMENTS - END A (TYPE F BARRIERS SHOWN)



SECTION E (SEE NOTE 2)



Jul 18, 2024

TYPE F TO PRECAST SINGLE-SLOPE BARRIER TRANSITION (PRECAST)
STANDARD PLAN C-60.45-01

SHEET 2 OF 2 SHEETS

APPROVED FOR PUBLICATION

Mark A. Poirier Jul 21, 2024

STATE DESIGN ENGINEER

