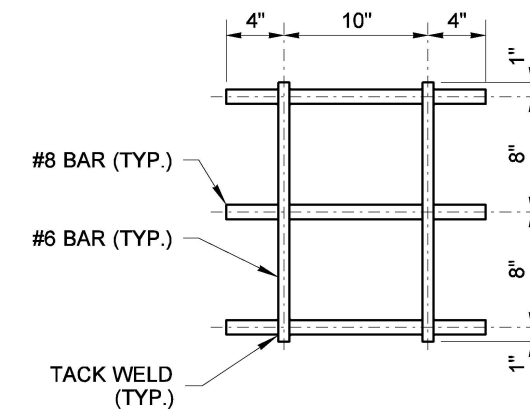
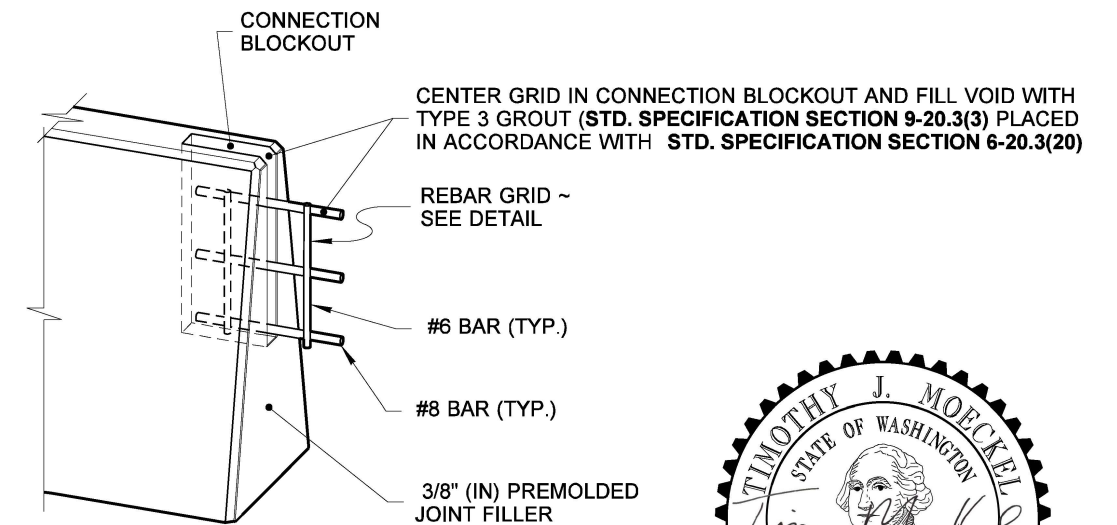


NOTES

- Concrete shall be class 4000.
- Installation requirements: Embed barrier 4" (in) minimum in asphalt or concrete to form 6" (in) tall scuppers. Barrier may be embedded deeper and form shorter scuppers. Areas underneath scuppers must be filled, compacted, and graded to match adjacent asphalt or concrete pavement elevations (See contract for details). Install 3/8" (in) Premolded Joint Filler between segments. Fill the connection Blockout with grout, centering the Rebar Grid in the blockout before adding grout.



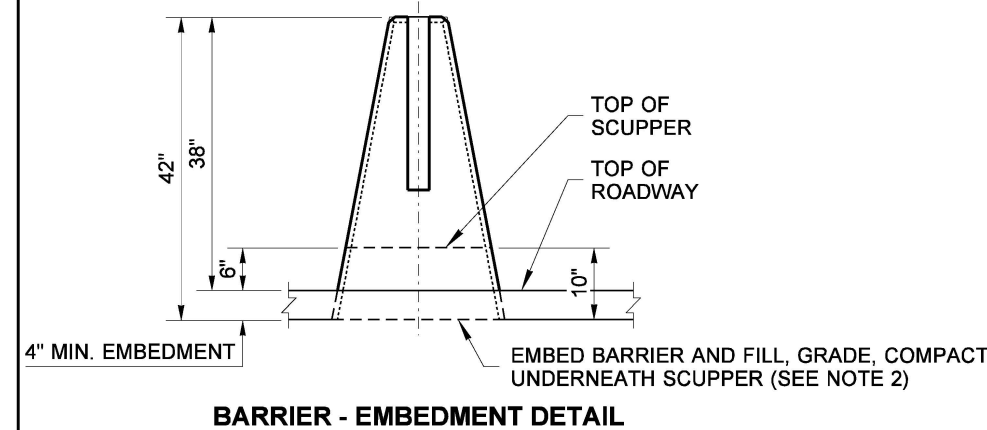
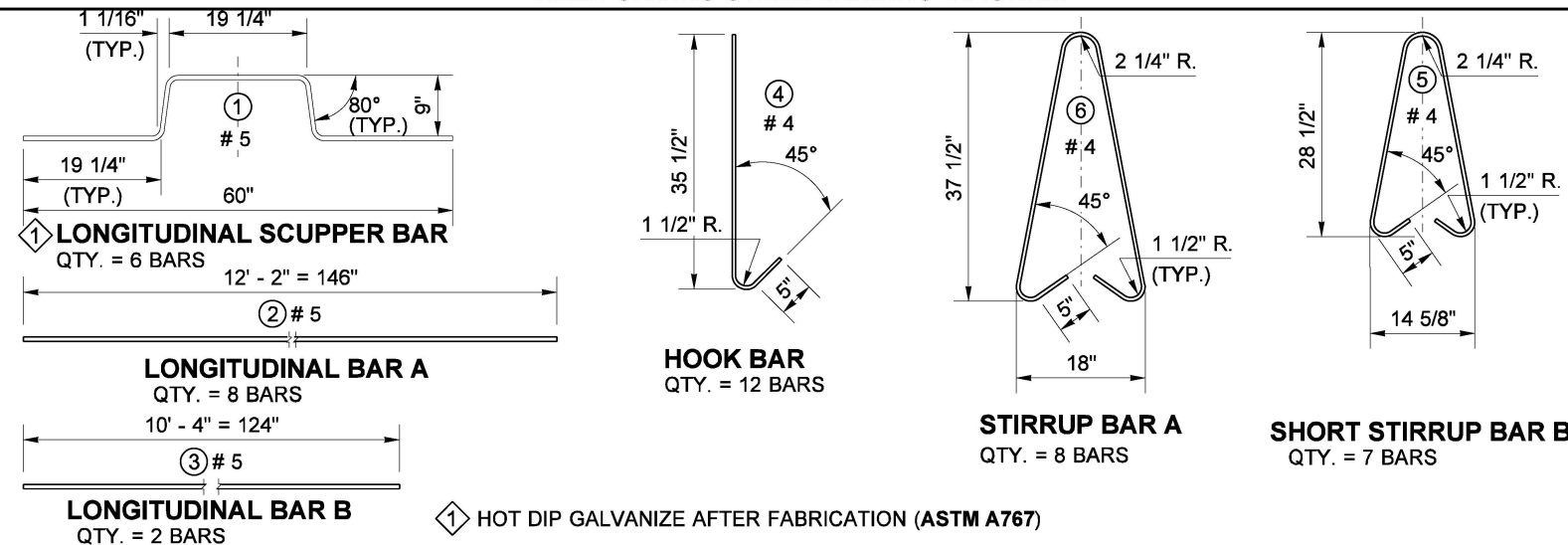
REBAR GRID DETAIL



BARRIER CONNECTION DETAIL

NOTE:
STEEL WELDED WIRE REINFORCEMENT DEFORMED FOR CONCRETE MAY BE SUBSTITUTED FOR REINFORCING STEEL IN ACCORDANCE WITH STANDARD SPECIFICATION, SECTION 6-10.3

REINFORCING STEEL BENDING DIAGRAM



Jul 19, 2024

SINGLE-SLOPE CONCRETE BARRIER WITH SCUPPERS (PRECAST)
STANDARD PLAN C-70.15-01

SHEET 1 OF 1 SHEET

APPROVED FOR PUBLICATION

Mark A. Daines Jul 21, 2024
STATE DESIGN ENGINEER

