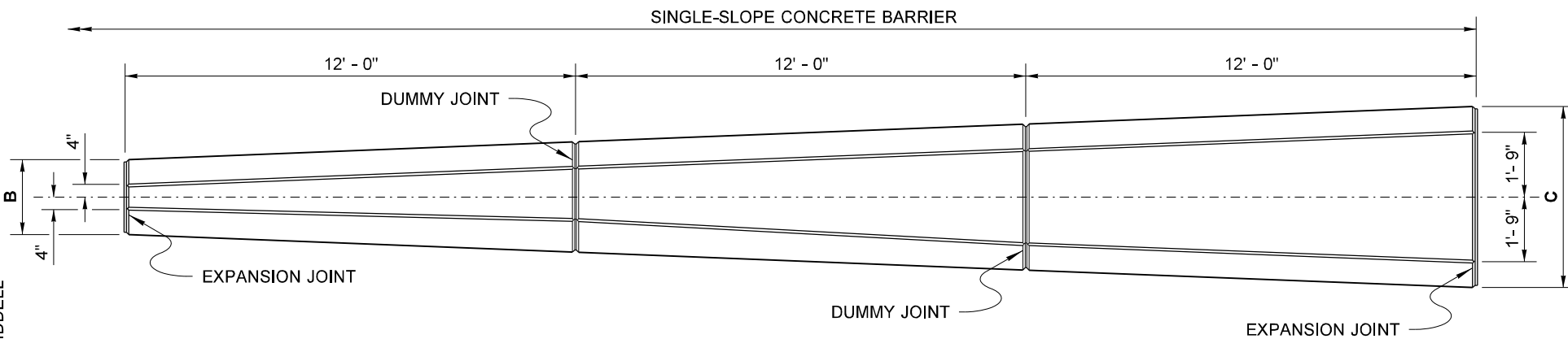
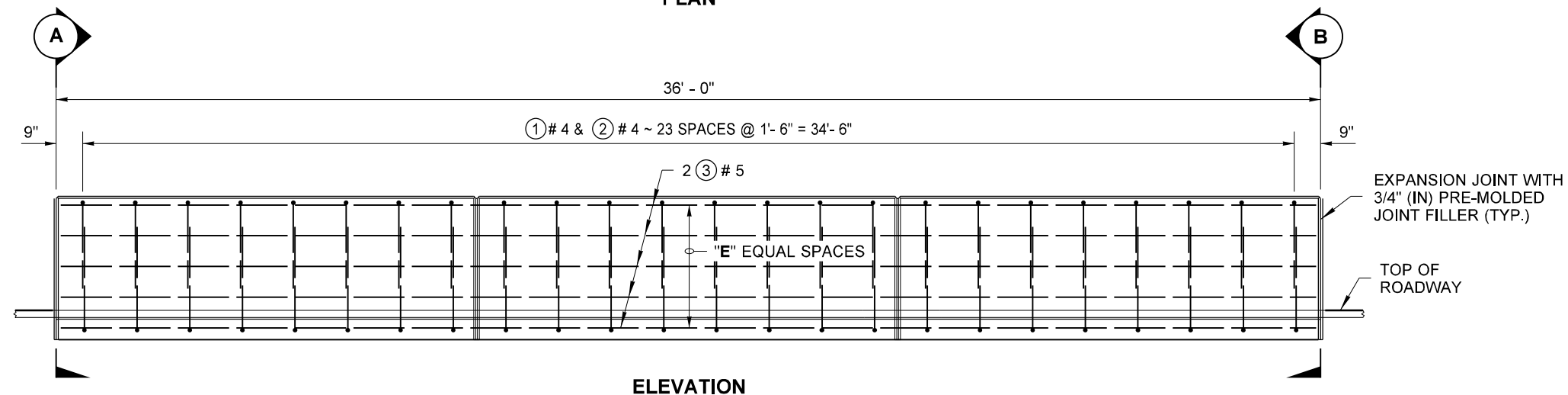


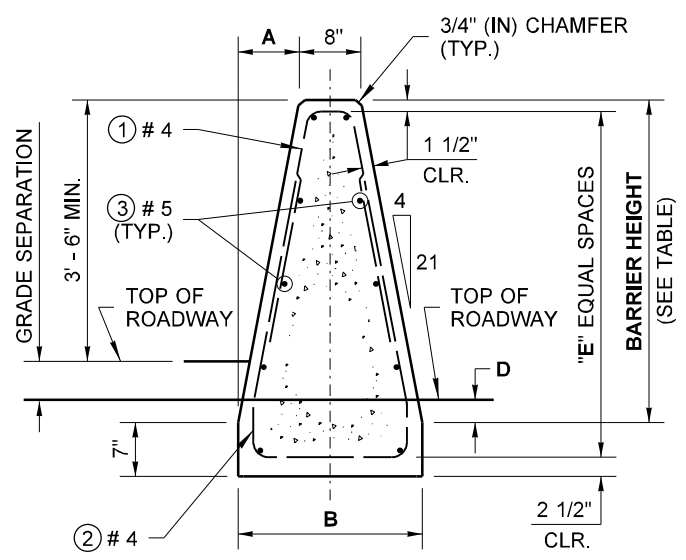
DRAWN BY: FERN LIDDELL



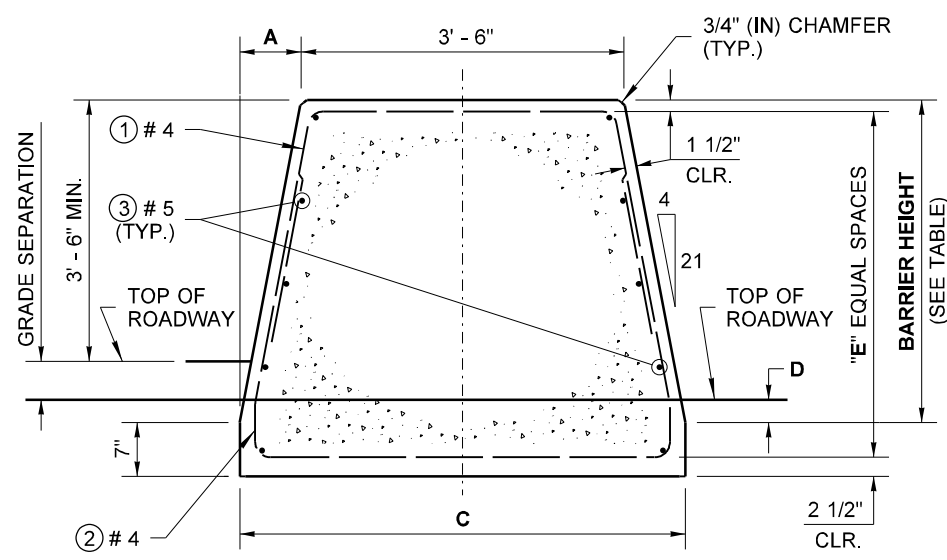
PLAN



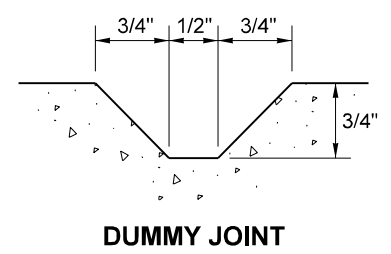
ELEVATION



SECTION A



SECTION B



DUMMY JOINT

MONOTUBE SIGN STRUCTURE  
SINGLE-SLOPE BARRIER  
FOUNDATION  
(SEE BRIDGE PLANS)

TRAILING END TRANSITION  
(FROM MONOTUBE SIGN STRUCTURE  
FOUNDATION TO SINGLE-SLOPE  
DUAL-FACED BARRIER)

(SEE NOTE 1)

LEADING END TRANSITION  
(FROM SINGLE-SLOPE DUAL-FACED  
BARRIER TO MONOTUBE SIGN  
STRUCTURE FOUNDATION)

ISOMETRIC VIEW

**NOTES**

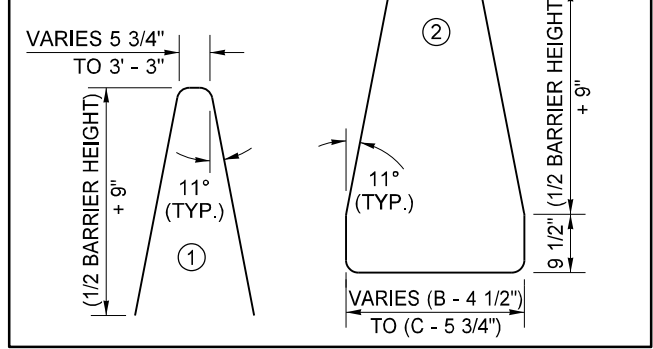
1. When connecting between Cast-in-Place and Precast Single-Slope Barrier, provide a Connection Blockout and Rebar Grid as shown in **Standard Plan C-70.10**.
2. All concrete shall be Class 4000.
3. This barrier transition section is designed for an allowable soil bearing pressure of 2500 psf or better.

NOTE: STEEL WELDED WIRE REINFORCEMENT DEFORMED FOR CONCRETE MAY BE SUBSTITUTED FOR REINFORCING STEEL IN ACCORDANCE WITH **STANDARD SPECIFICATION, SECTION 6-10.3**.

**BAR LIST**

MARK NO.	LOCATION	SIZE	QTY.
①	BARRIER ~ TOP VERTICAL	# 4	24
②	BARRIER ~ BOTTOM VERTICAL	# 4	24
③	BARRIER ~ HORIZONTAL	# 5	①

① SEE DIMENSION TABLE ~ NOT COUNTING SPLICES  
ALL DIMENSIONS ARE OUT TO OUT  
ALL BENDS ARE 2" RADIUS



GRADE SEPARATION	BARRIER HEIGHT	A	B	C	D	E	HORIZONTAL BARS (QTY.)
0" TO 3"	4' - 0"	9 1/8"	2' - 2 1/4"	5' - 0 1/4"	3" MIN.	5	12
3" TO 6"	4' - 6"	10 1/4"	2' - 4 1/2"	5' - 2 1/2"	6" MIN.	6	14



Sep 8, 2022

**SINGLE-SLOPE CONCRETE BARRIER TRANSITION FOR MONOTUBE SIGN SUPPORT**  
**STANDARD PLAN C-85.18-03**

SHEET 1 OF 1 SHEET

APPROVED FOR PUBLICATION  
*Mark Gaines*  
Mark Gaines (Sep 8, 2022 09:50 PDT)  
STATE DESIGN ENGINEER  
Washington State Department of Transportation

Sep 8, 2022