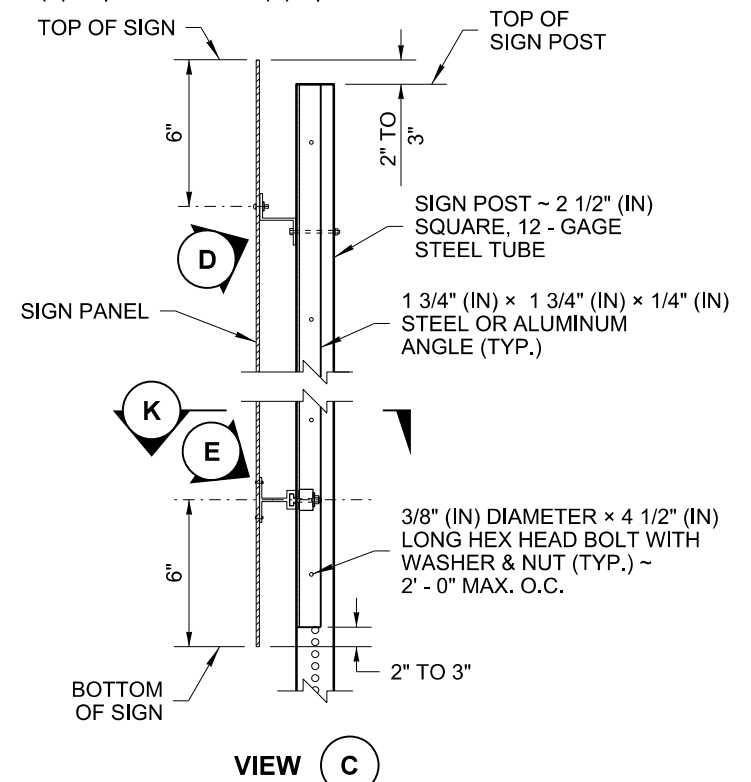
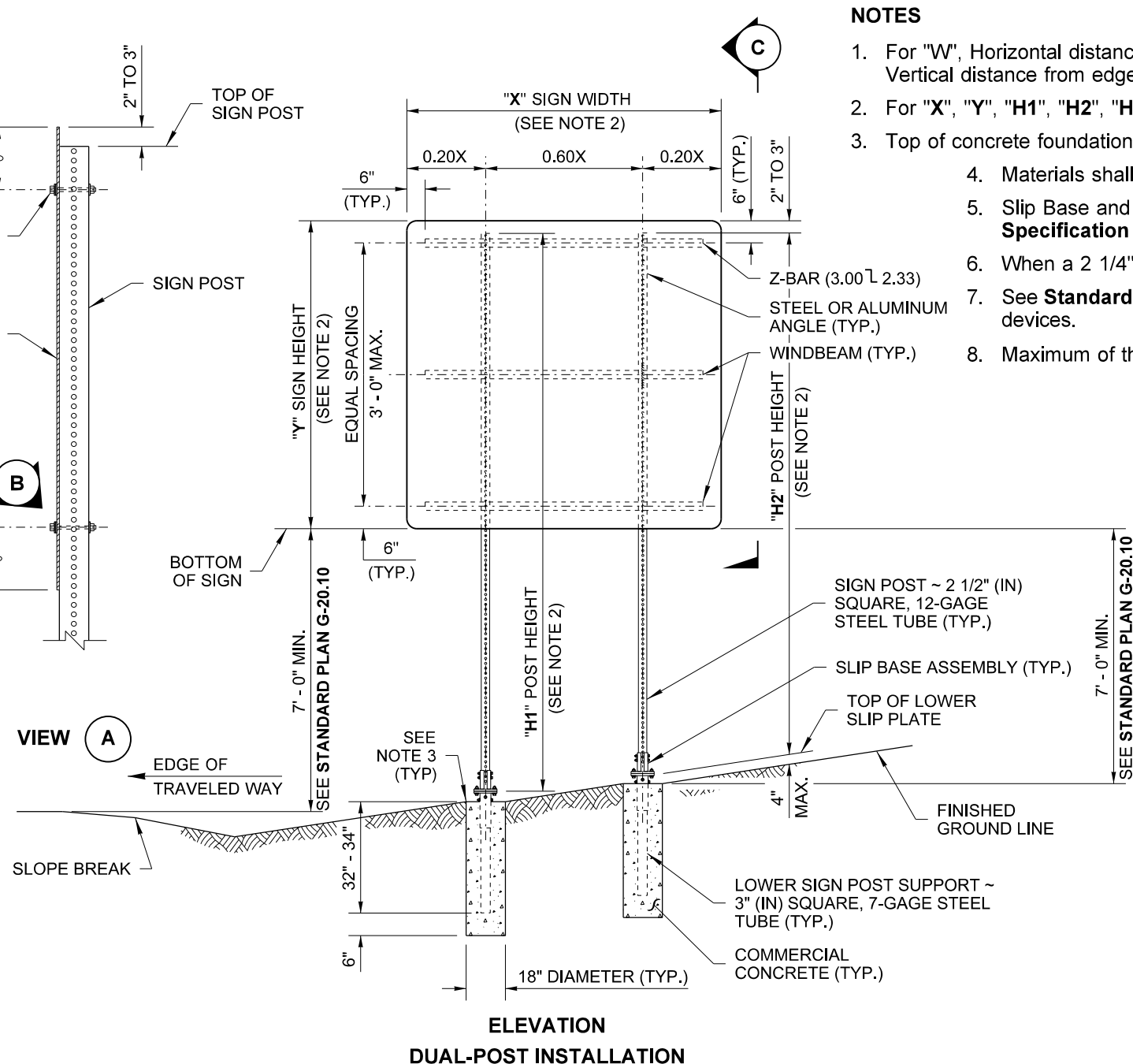
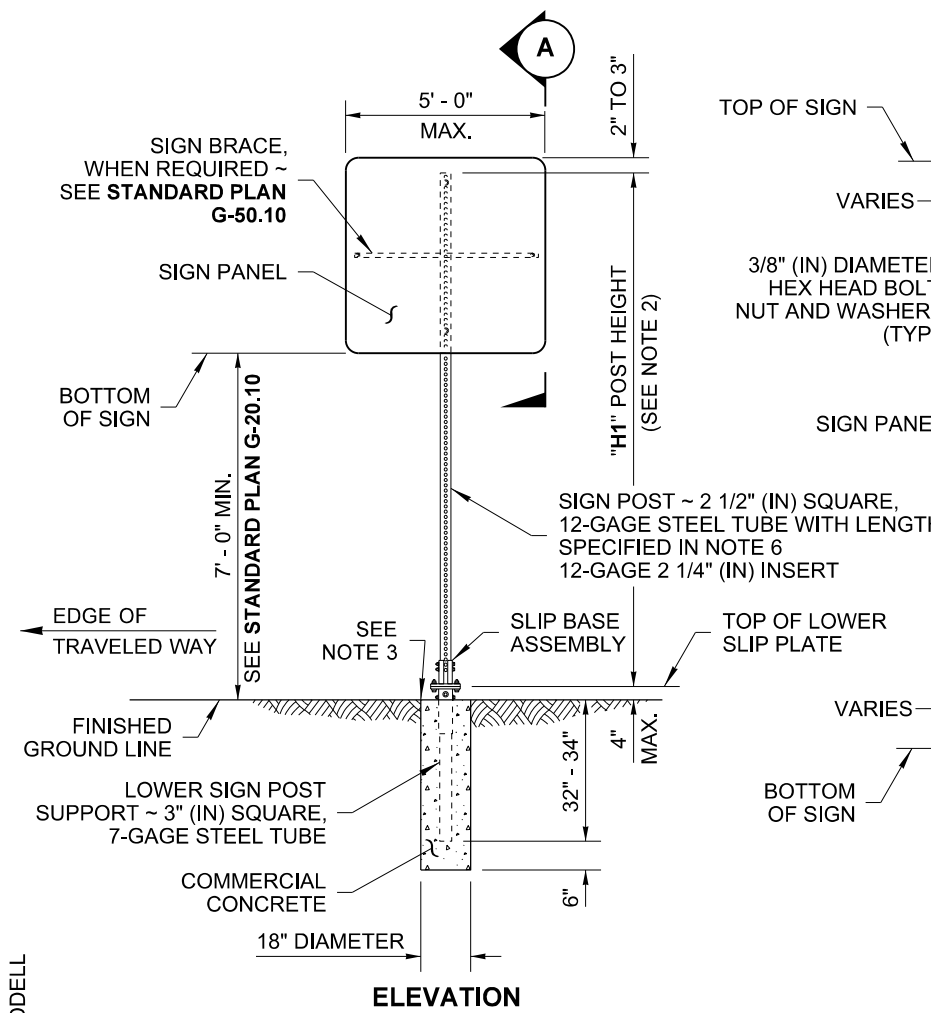


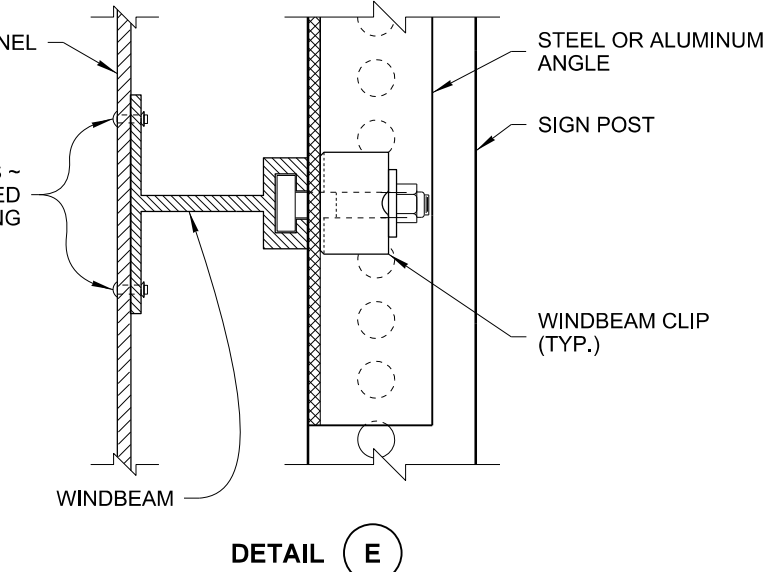
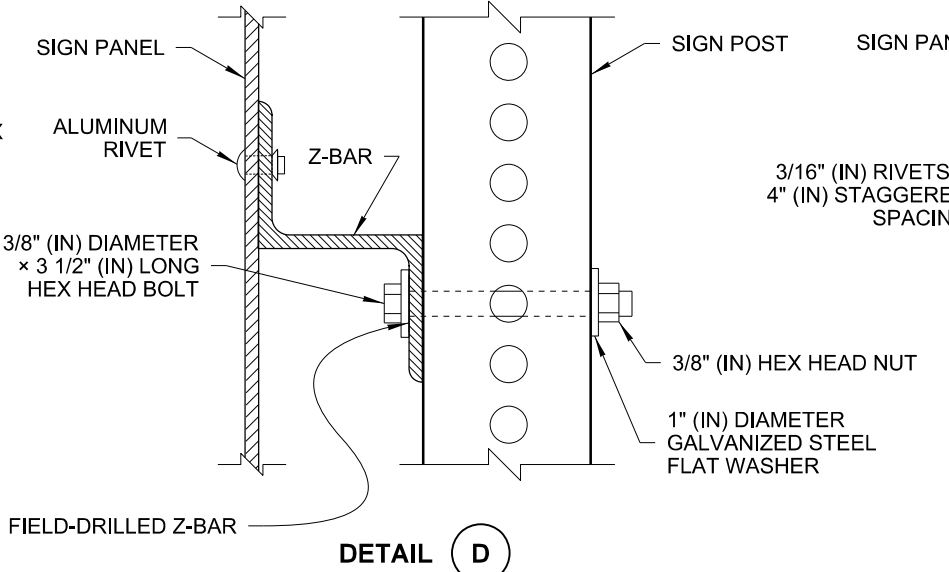
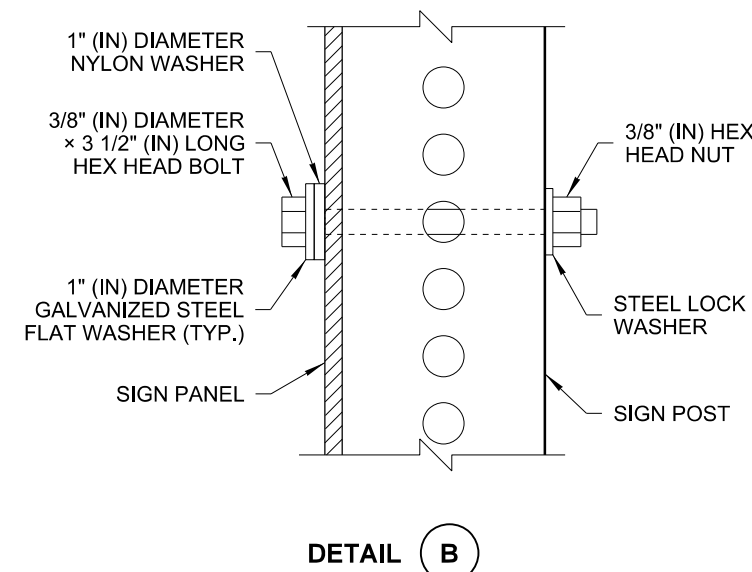
DRAWN BY: FERN LIDDELL



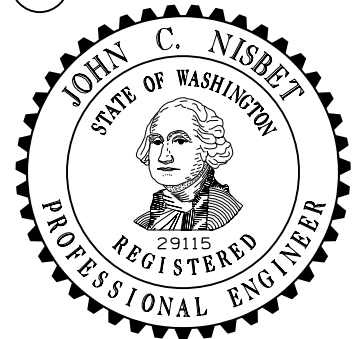
NOTES

1. For "W", Horizontal distance from edge of traveled way to center of nearest post, and "V", Vertical distance from edge of traveled way to bottom of sign, see **Standard Plan G-20.10**.
2. For "X", "Y", "H1", "H2", "H3", and "H4", refer to the Sign Specification Sheet in the Contract.
3. Top of concrete foundations shall be smooth, dense and uniform to finished groundline.
4. Materials shall meet the requirements of **Standard Specification Section 9-28**.
5. Slip Base and all other materials shall meet the requirements of **Standard Specification Section 9-06**.
6. When a 2 1/4" (in) insert is used, the insert shall be a minimum of 7 feet.
7. See **Standard Plan J-40.35** and Contract Plans for installations with electrical devices.
8. Maximum of three (3) slip bases in 7' (ft) span.

WINDLOAD FOR SQUARE TUBE POSTS AT 90 MPH				
POSTS	MAXIMUM XYZ	1-POST		
		2-POST	3-POST	
2 1/2" PSST	12-GAGE	172	344 *	516 *
2 1/2" PSST with 2 1/4" insert (SEE NOTE 6)	12-GAGE	309 *	618 *	927 *
* SLIP BASE REQUIRED (UNLESS BEHIND BARRIER)				



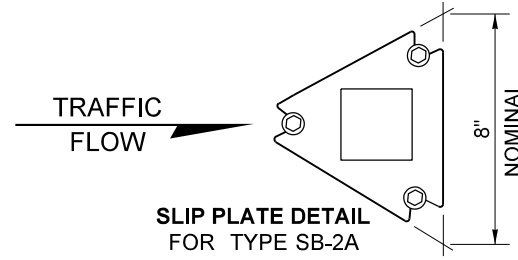
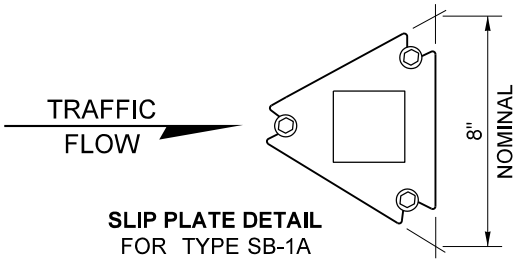
STEEL SIGN SUPPORT TYPES SB-1, SB-2 & SB-3 ~ 8" (IN)



STEEL SIGN SUPPORT TYPES SB-1, SB-2 & SB-3 INSTALLATION DETAILS STANDARD PLAN G-24.40-07

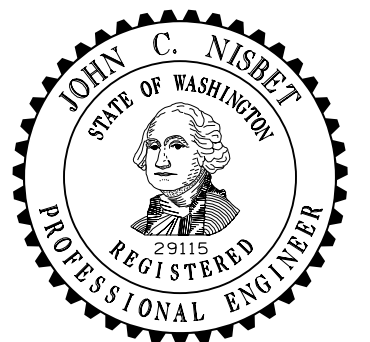
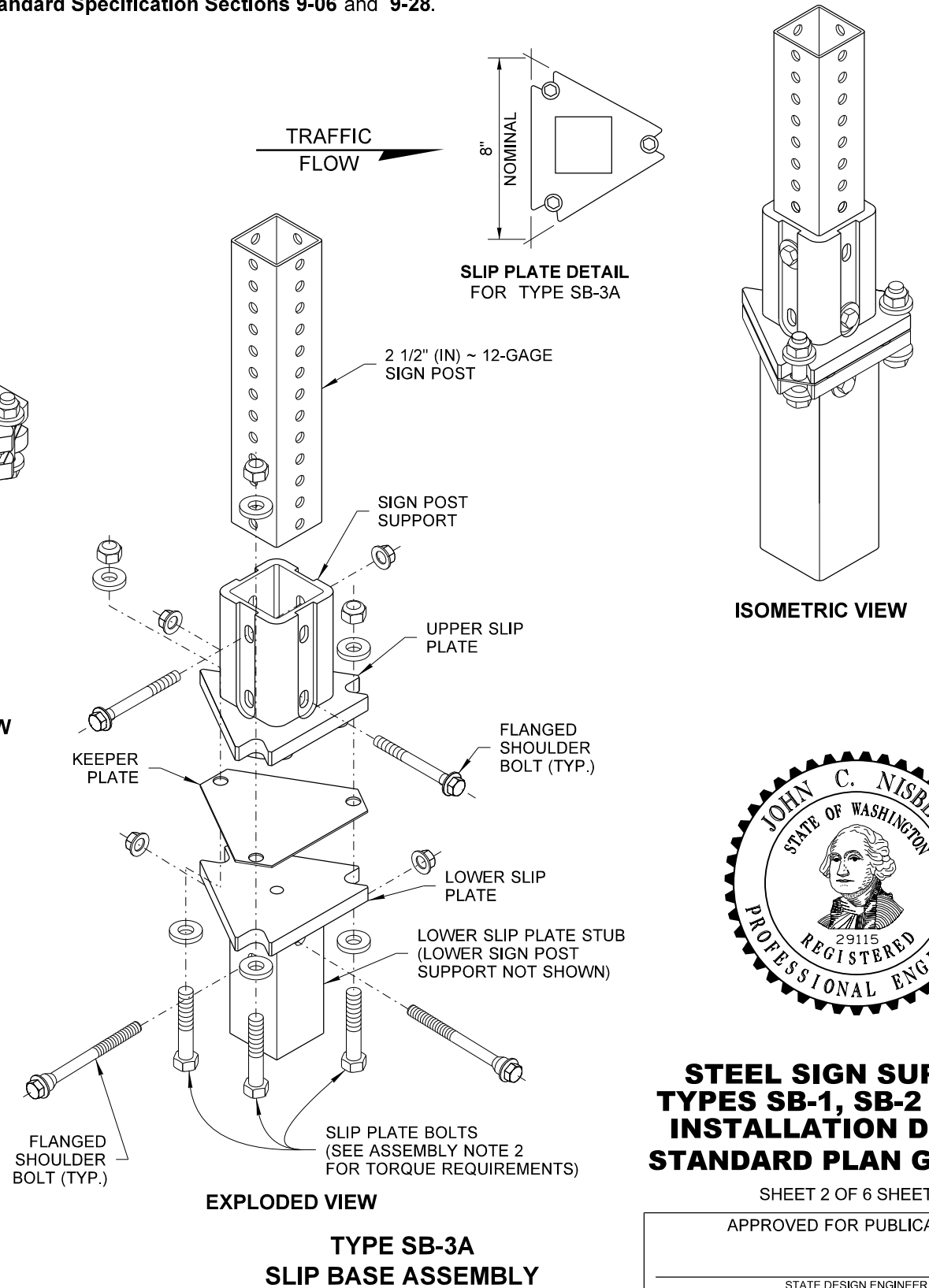
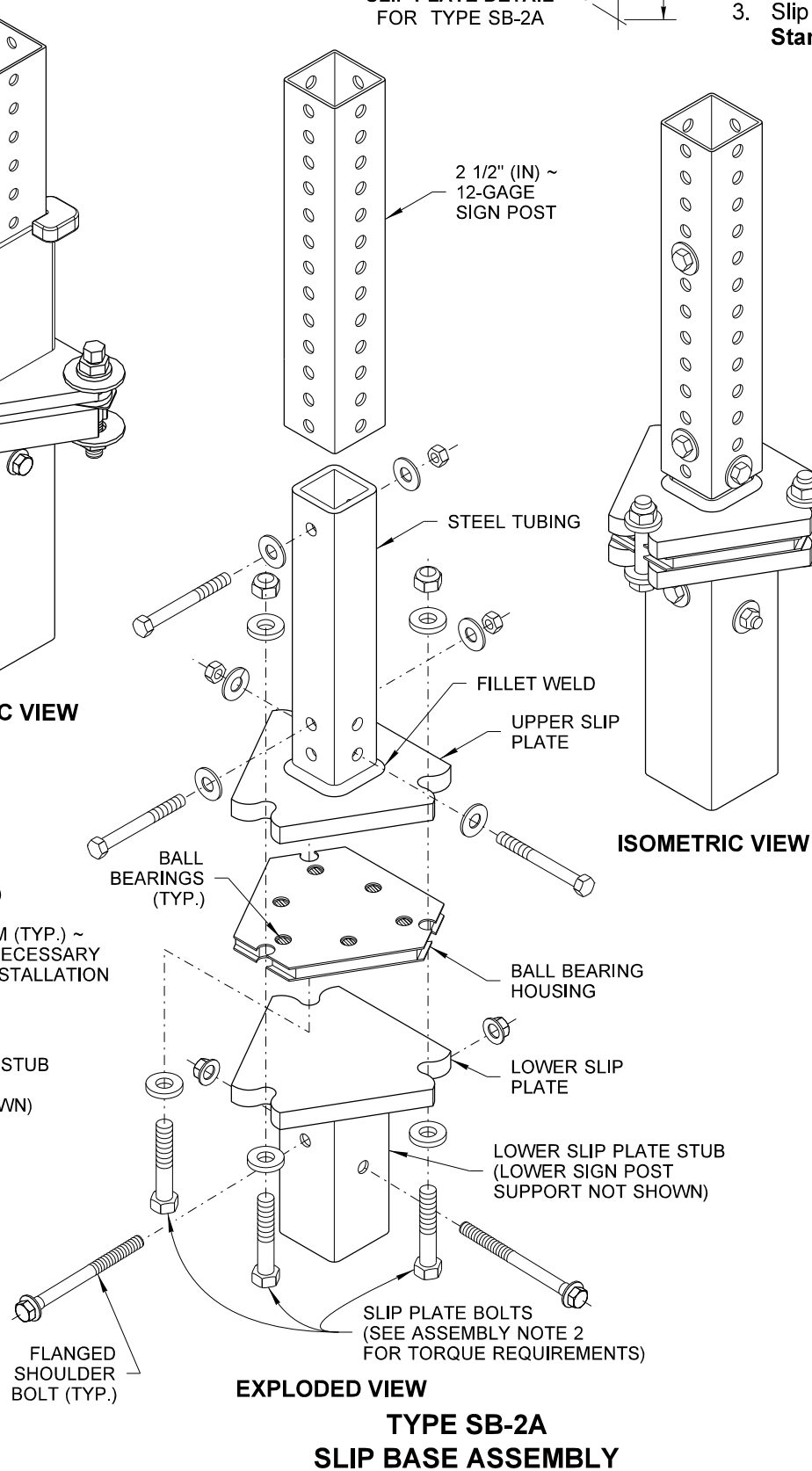
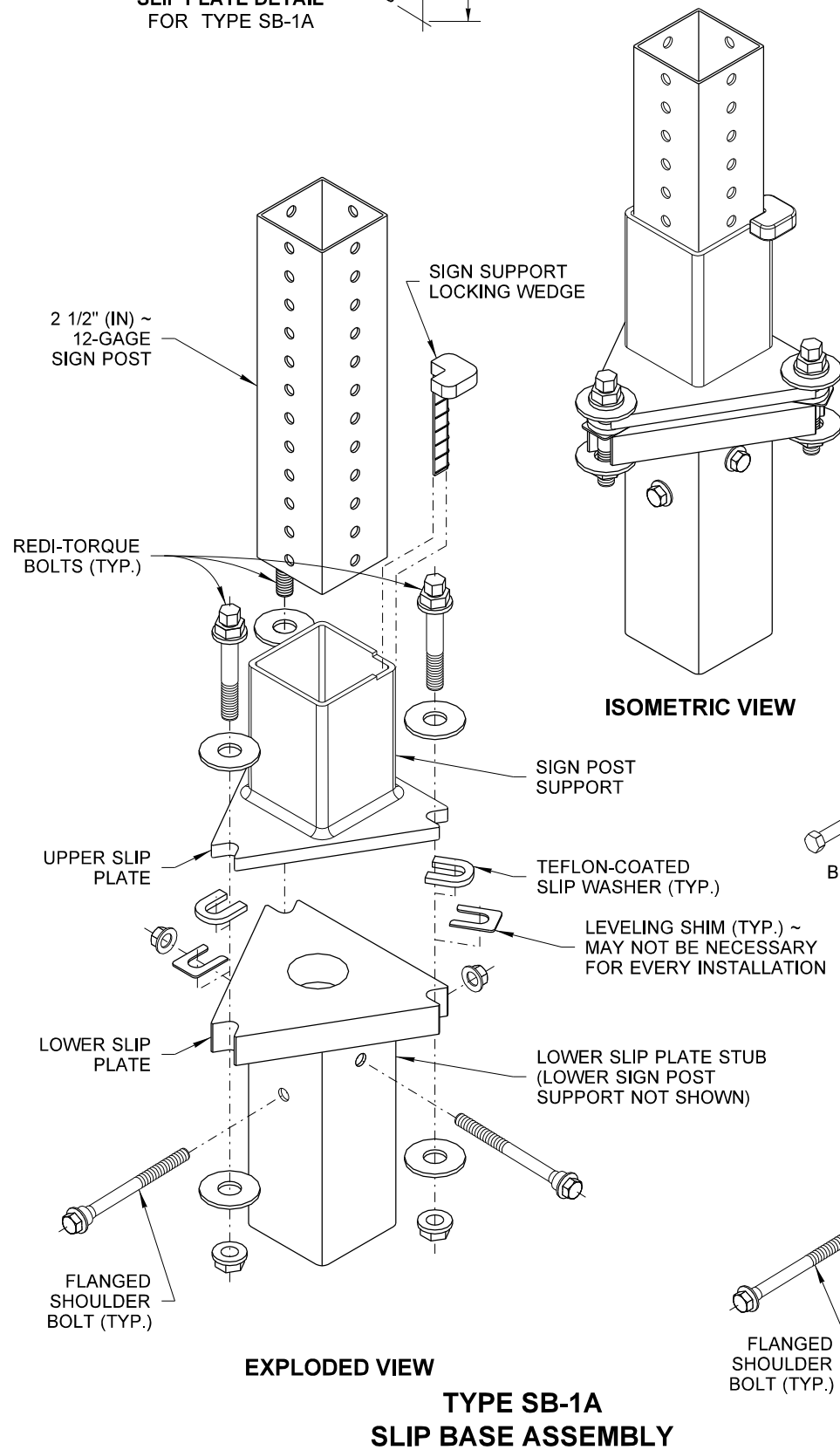
SHEET 1 OF 6 SHEETS
 APPROVED FOR PUBLICATION
 STATE DESIGN ENGINEER
 Washington State Department of Transportation

DRAWN BY: FERN LIDDELL



ASSEMBLY NOTES

1. Dimensions for the parts used to assemble the base connections are intentionally not shown. Base connections are patented, manufactured products that are in compliance with NCHRP 350 crash test criteria. The base connection details are shown on this plan only to illustrate how the parts are assembled.
2. Do not tighten any single Slip Plate Bolt to the recommended torque before pretightening the other bolts. Progressively tighten the three Slip Plate Bolts in 10 ft-lb increments, alternately, to a final torque of 40 ft-lbs on each.
3. Slip Base assembly and all other materials shall meet the requirements of **Standard Specification Sections 9-06 and 9-28.**



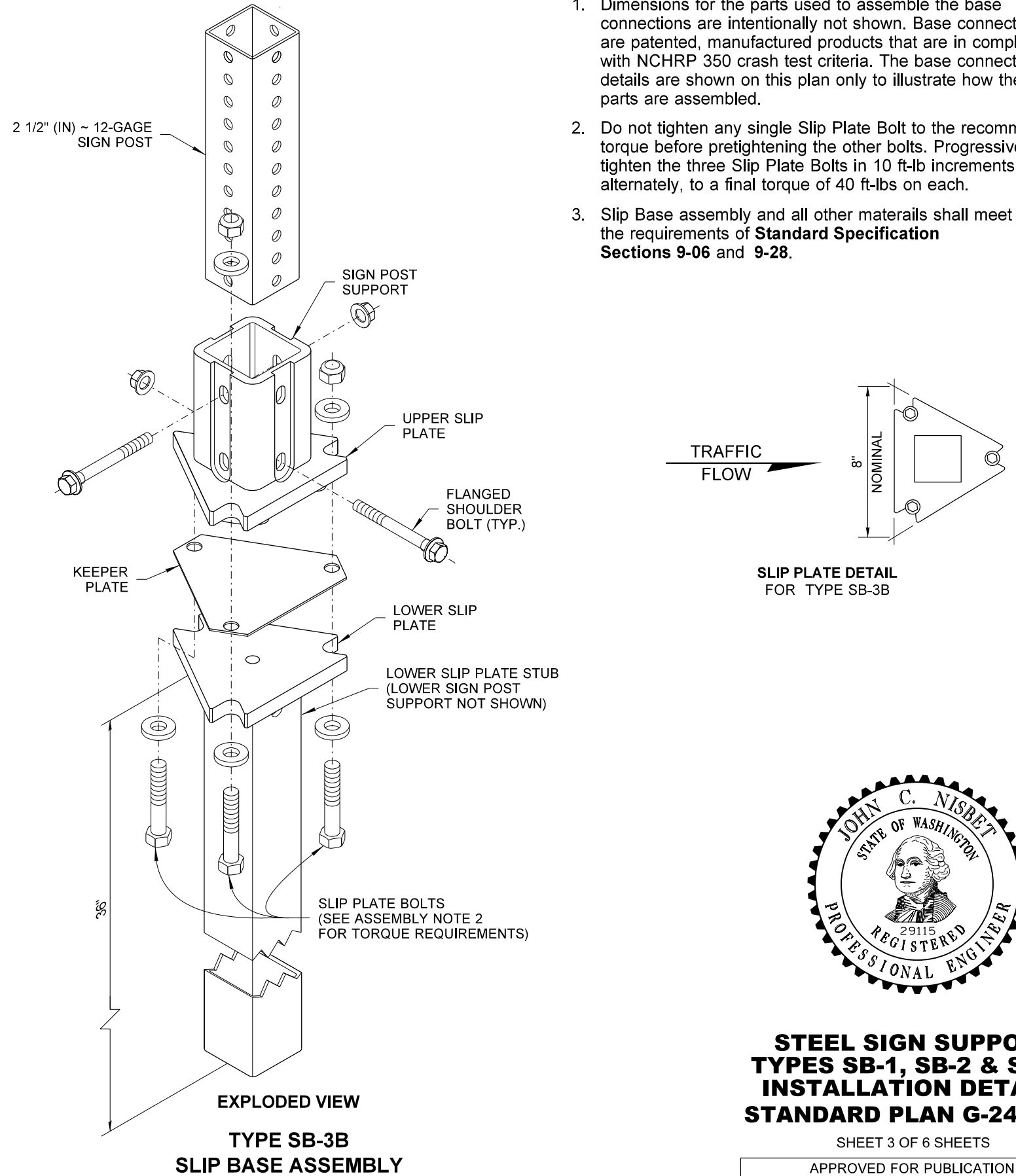
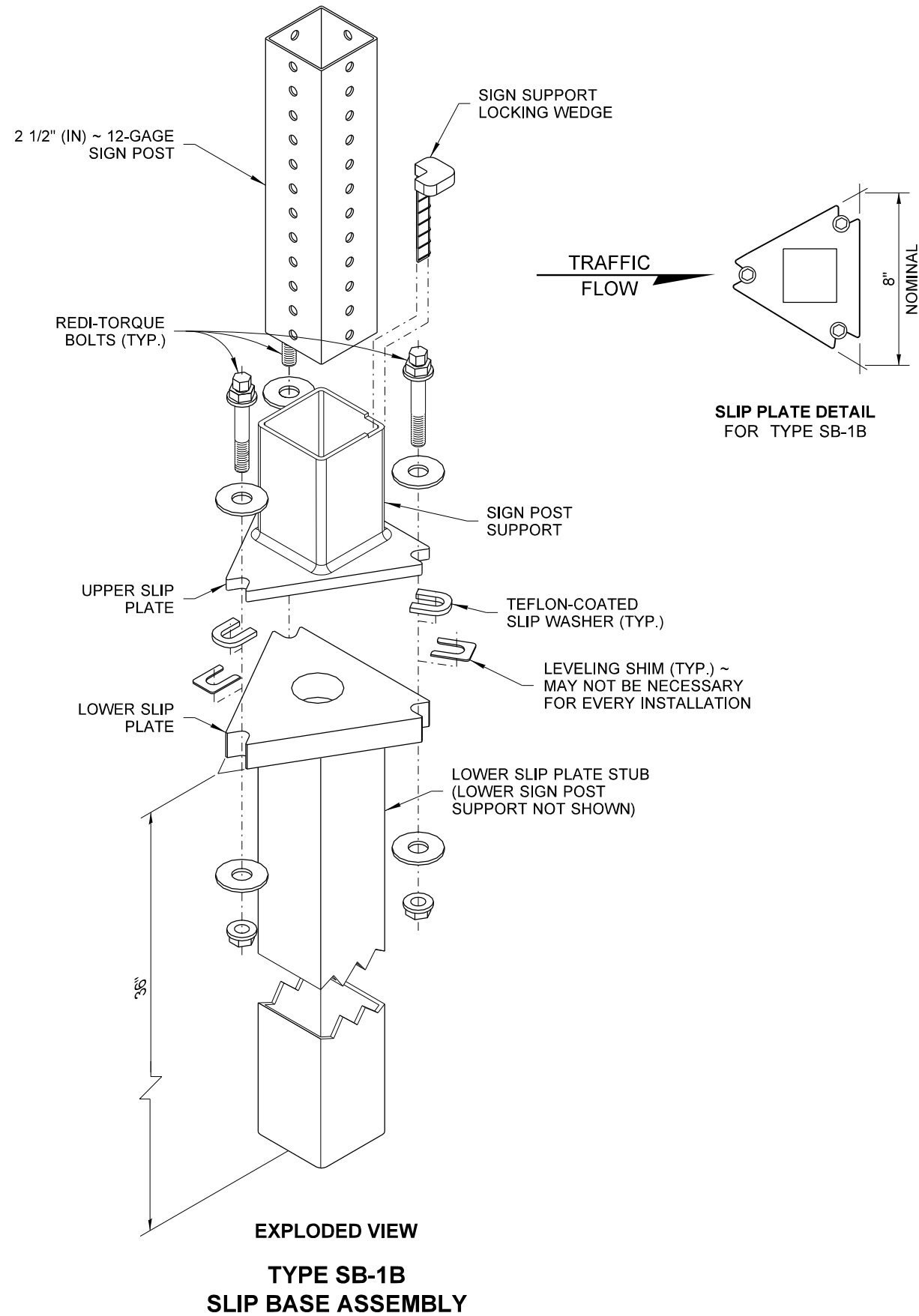
**STEEL SIGN SUPPORT
TYPES SB-1, SB-2 & SB-3
INSTALLATION DETAILS
STANDARD PLAN G-24.40-07**

SHEET 2 OF 6 SHEETS

APPROVED FOR PUBLICATION

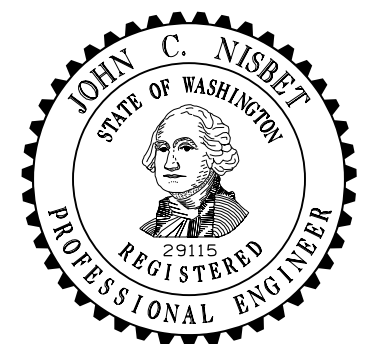
STATE DESIGN ENGINEER
Washington State Department of Transportation

DRAWN BY: FERN LIDDELL



ASSEMBLY NOTES

1. Dimensions for the parts used to assemble the base connections are intentionally not shown. Base connections are patented, manufactured products that are in compliance with NCHRP 350 crash test criteria. The base connection details are shown on this plan only to illustrate how the parts are assembled.
2. Do not tighten any single Slip Plate Bolt to the recommended torque before pretightening the other bolts. Progressively tighten the three Slip Plate Bolts in 10 ft-lb increments, alternately, to a final torque of 40 ft-lbs on each.
3. Slip Base assembly and all other materials shall meet the requirements of **Standard Specification Sections 9-06 and 9-28.**



**STEEL SIGN SUPPORT
TYPES SB-1, SB-2 & SB-3
INSTALLATION DETAILS
STANDARD PLAN G-24.40-07**

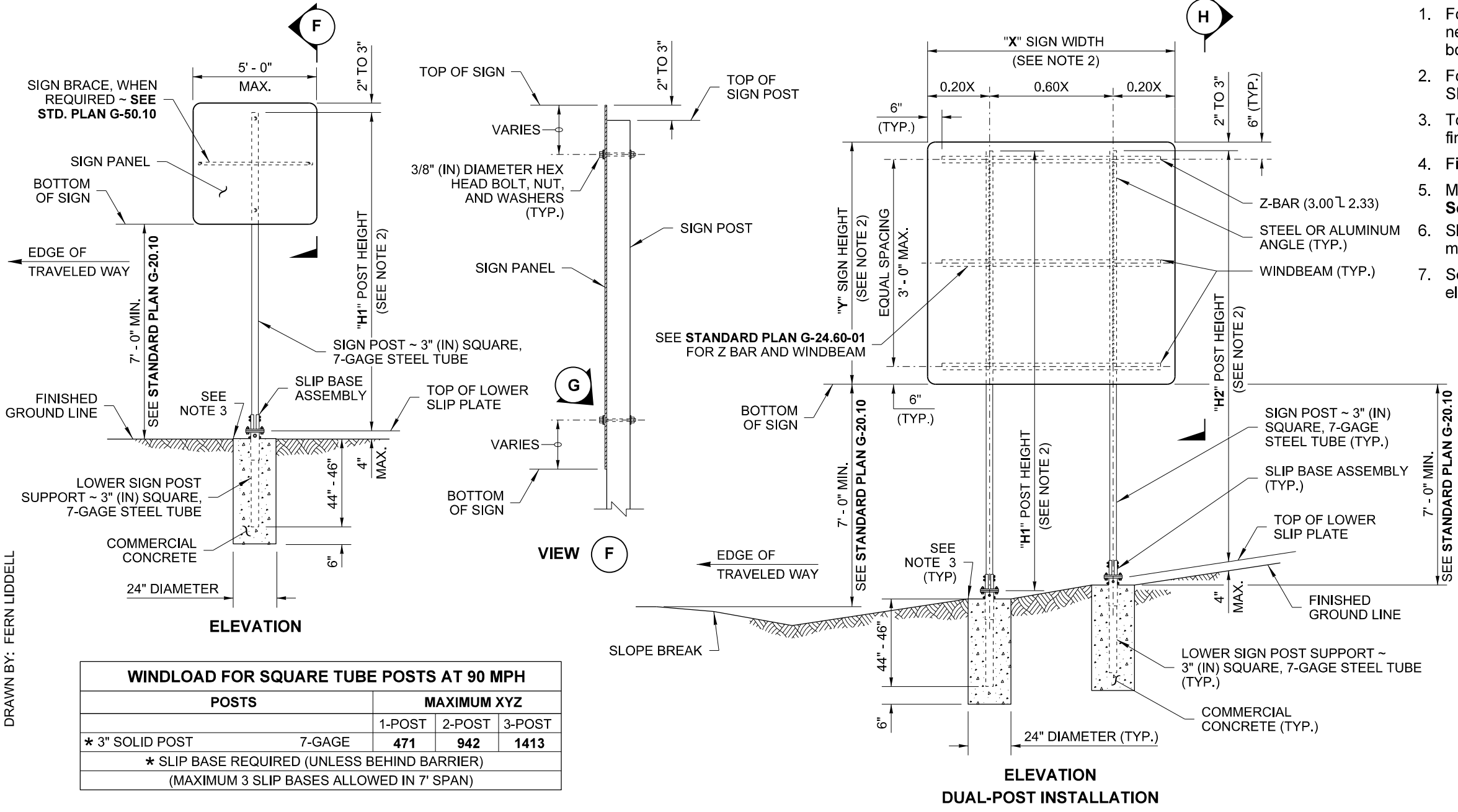
SHEET 3 OF 6 SHEETS

APPROVED FOR PUBLICATION

STATE DESIGN ENGINEER
Washington State Department of Transportation

**STEEL SIGN SUPPORT TYPES SB-1B, & SB-3B ~ 8" (IN)
(UNIBASE)**

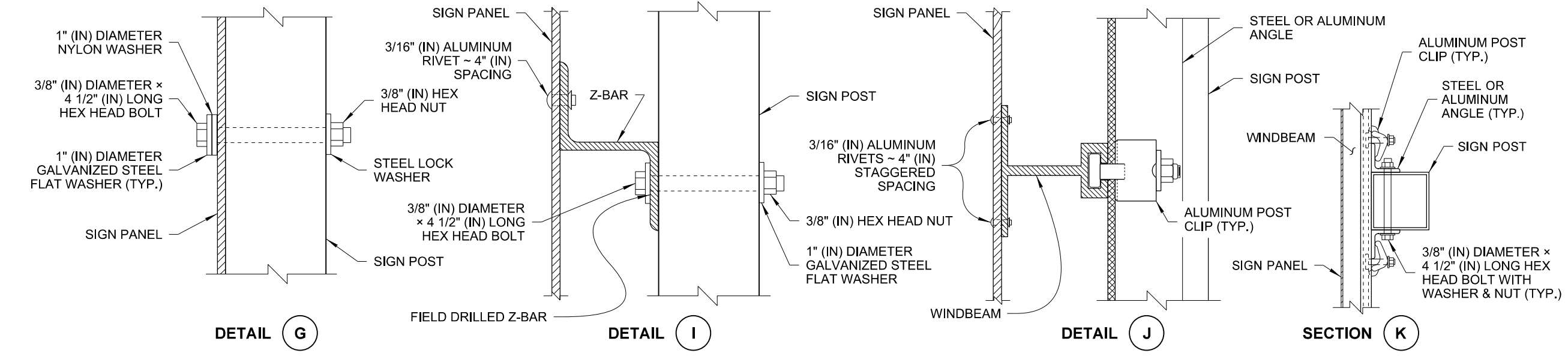
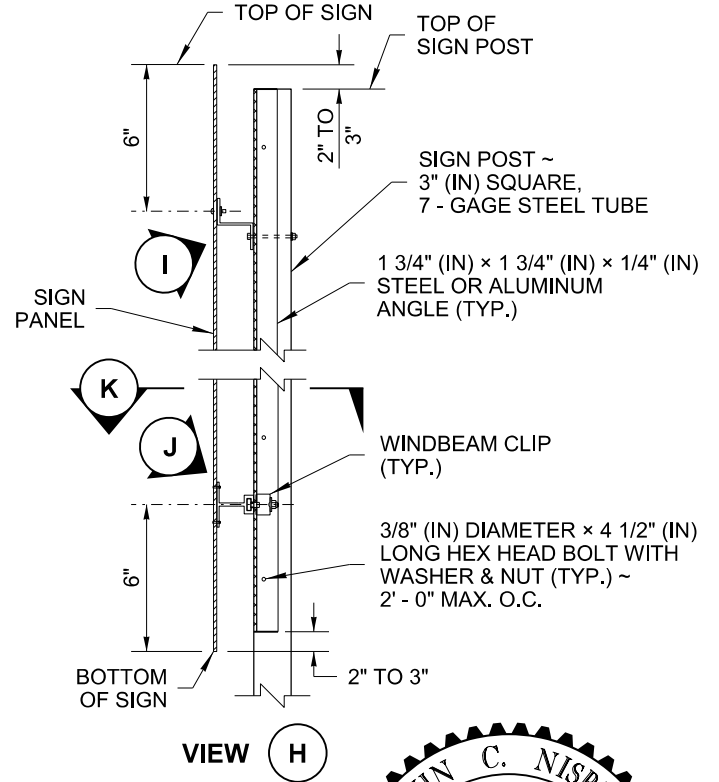
DRAWN BY: FERN LIDDELL



WINDLOAD FOR SQUARE TUBE POSTS AT 90 MPH				
POSTS		MAXIMUM XYZ		
		1-POST	2-POST	3-POST
* 3" SOLID POST	7-GAGE	471	942	1413
* SLIP BASE REQUIRED (UNLESS BEHIND BARRIER)				
(MAXIMUM 3 SLIP BASES ALLOWED IN 7' SPAN)				

NOTES

- For "W", Horizontal distance from edge of traveled way to center of nearest post, and "V", Vertical distance from edge of traveled way to bottom of sign, see **Standard Plan G-20.10**.
- For "X", "Y", "H1", "H2", "H3", and "H4", refer to the Sign Specification Sheet in the Contract.
- Top of concrete foundation shall be smooth, dense, and uniform to finished ground line.
- Field drill posts to accept angle and cold galvanized holes.
- Materials shall meet the requirements of **Standard Specification Section 9-28**.
- Slip Base assembly and all other materials shall meet the requirements of **Standard Specification Sections 9-06 and 9-28**.
- See **Standard Plan J-40.35** and Contract Plans for installations with electrical devices.



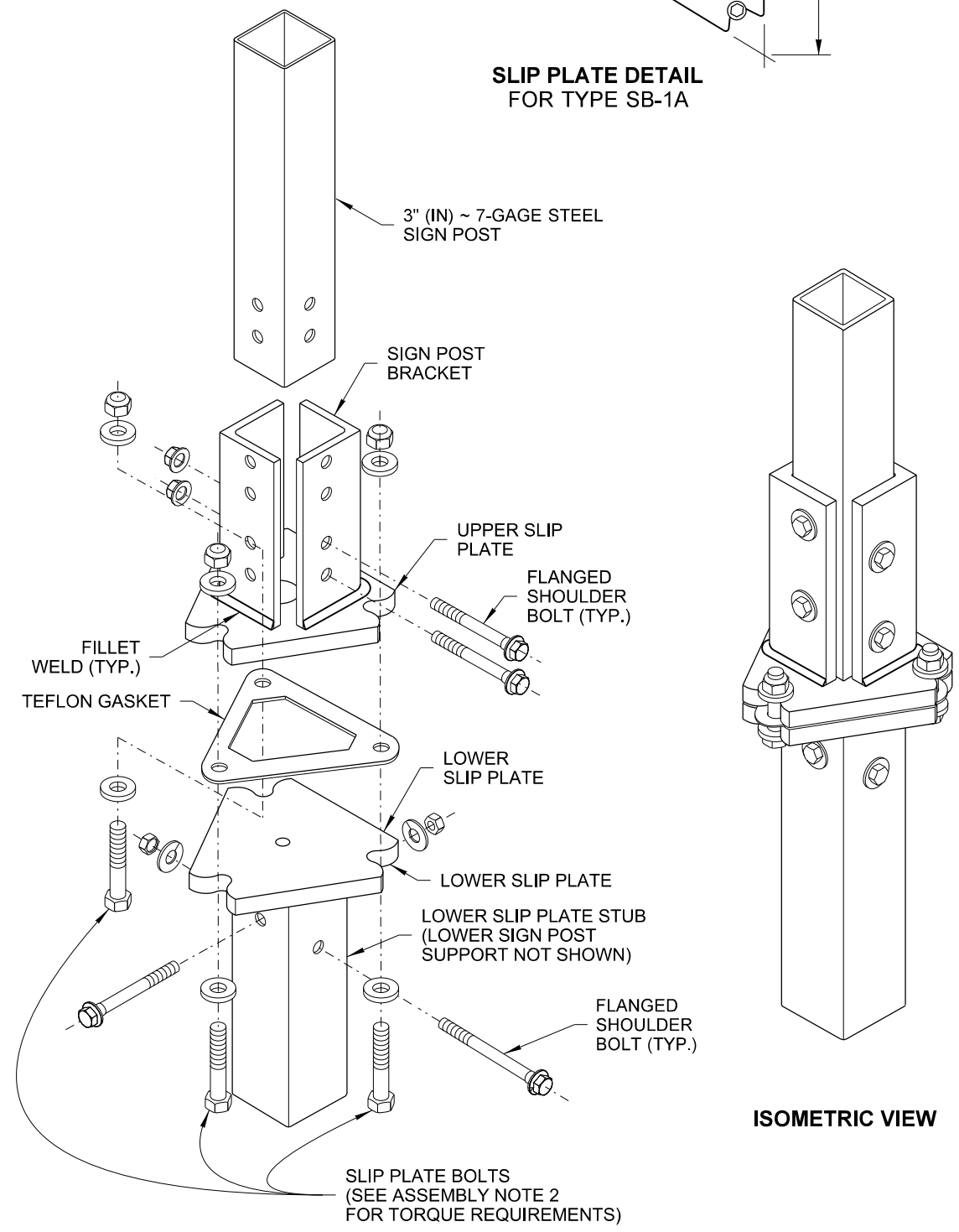
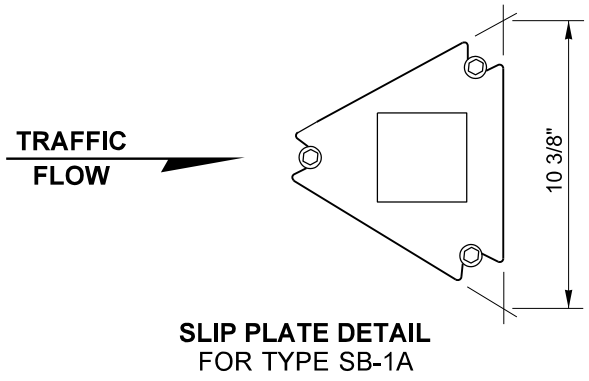
STEEL SIGN SUPPORT TYPES SB-1, SB-2 & SB-3 ~ 10" (IN)



STEEL SIGN SUPPORT TYPES SB-1, SB-2 & SB-3 INSTALLATION DETAILS STANDARD PLAN G-24.40-07

SHEET 4 OF 6 SHEETS
 APPROVED FOR PUBLICATION
 STATE DESIGN ENGINEER
 Washington State Department of Transportation

DRAWN BY: FERN LIDDELL

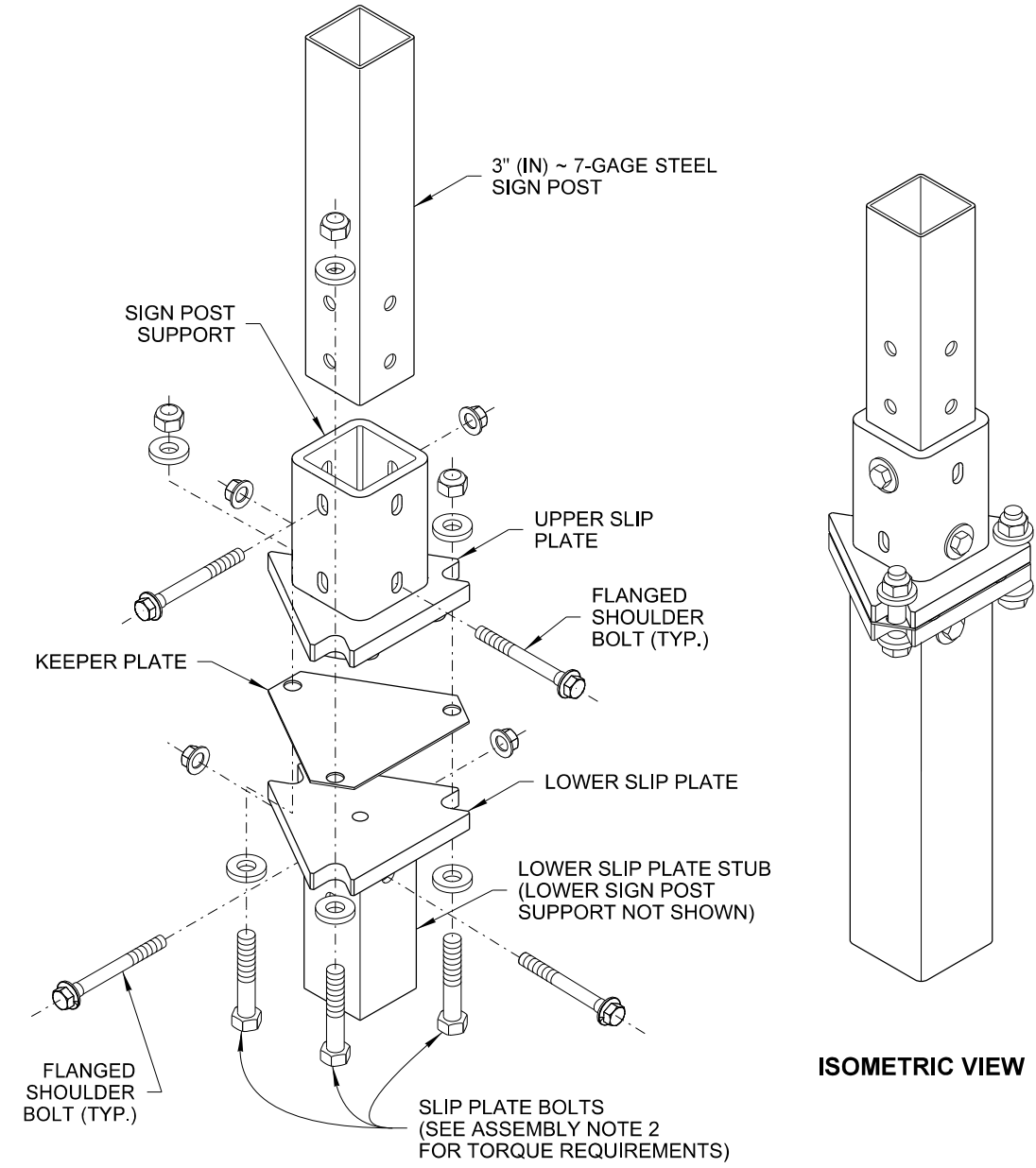
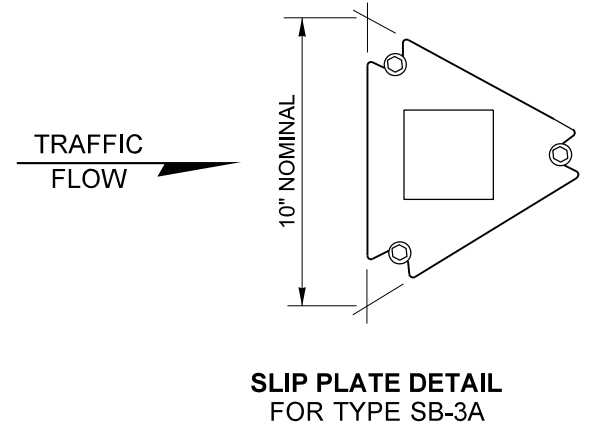


EXPLODED VIEW

**TYPE SB-1A
SLIP BASE ASSEMBLY**

ASSEMBLY NOTES

1. Dimensions for the parts used to assemble the base connections are intentionally not shown. Base connections are patented, manufactured products that are in compliance with NCHRP 350 crash test criteria. The base connection details are shown on this plan only to illustrate how the parts are assembled.
2. Do not tighten any single Slip Plate Bolt to the recommended torque before pretightening the other bolts. Progressively tighten the three Slip Plate Bolts in 10 ft-lb increments, alternately, to a final torque of 40 ft-lbs on each.
3. Use only Slip Base manufacturer supplied hardware that meets the requirements of **Standard Specification Sections 9-06 and 9-28.**



EXPLODED VIEW

**TYPE SB-3A
SLIP BASE ASSEMBLY**



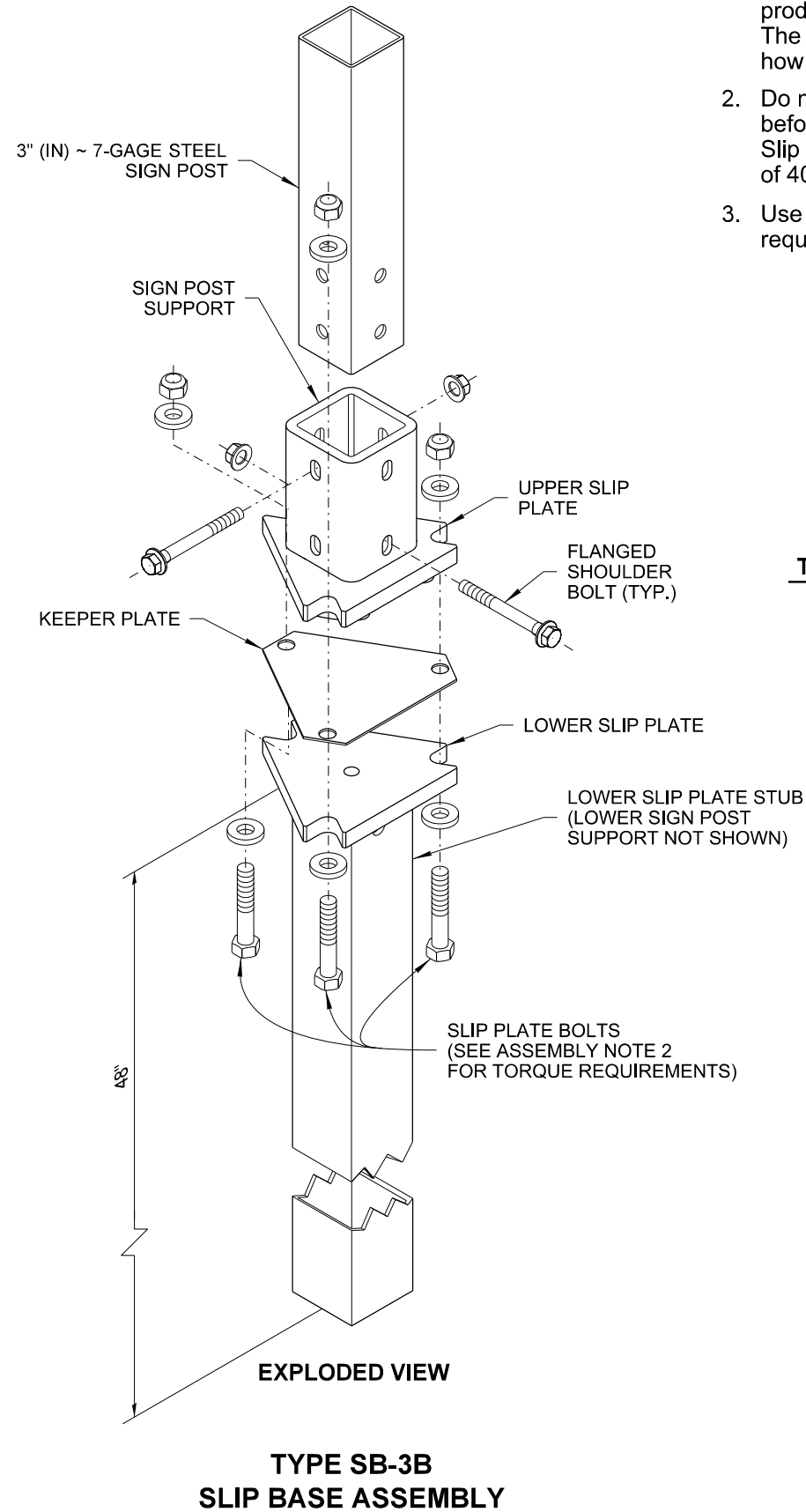
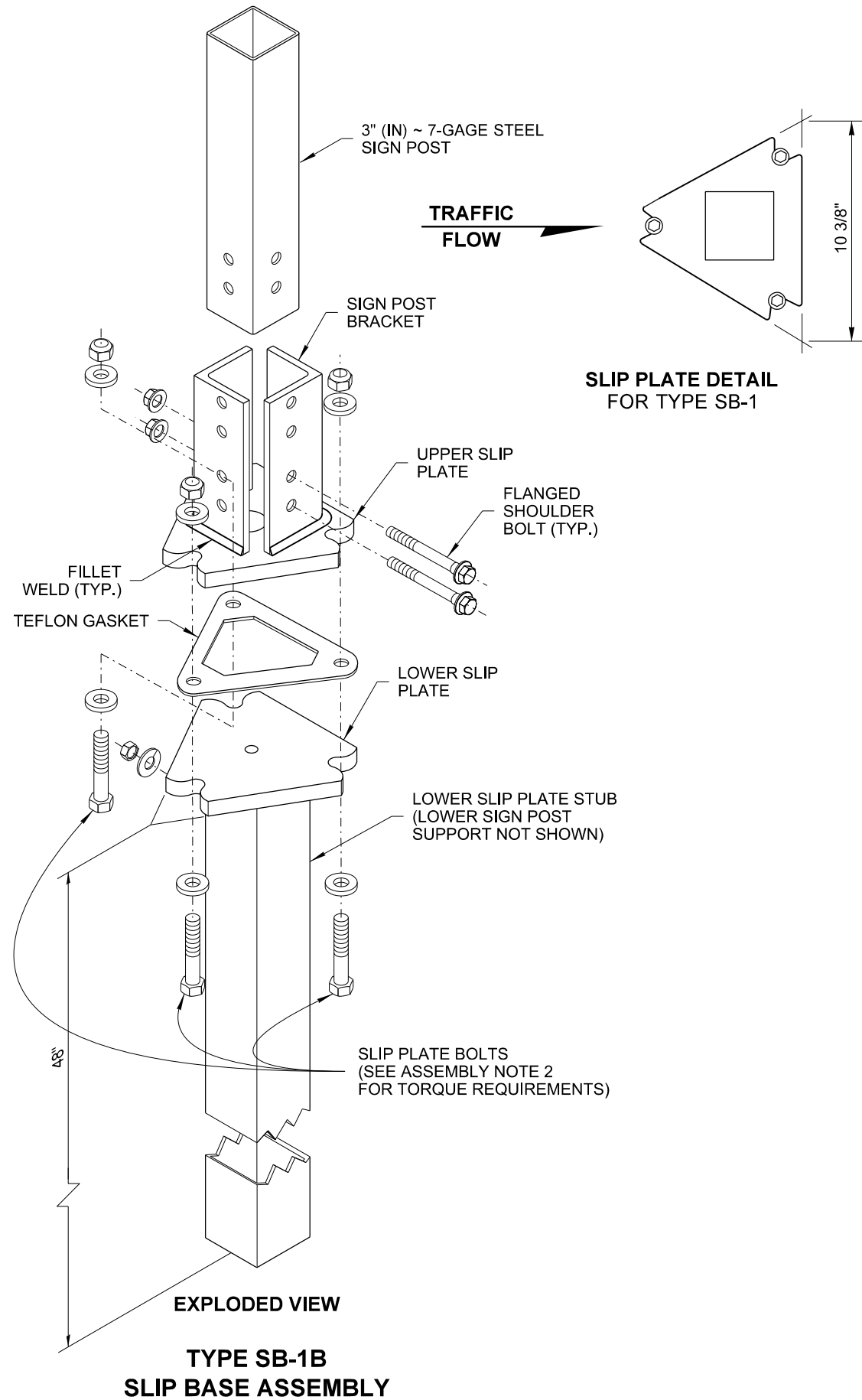
**STEEL SIGN SUPPORT
TYPES SB-1, SB-2 & SB-3
INSTALLATION DETAILS
STANDARD PLAN G-24.40-07**

SHEET 5 OF 6 SHEETS

APPROVED FOR PUBLICATION

STATE DESIGN ENGINEER
Washington State Department of Transportation

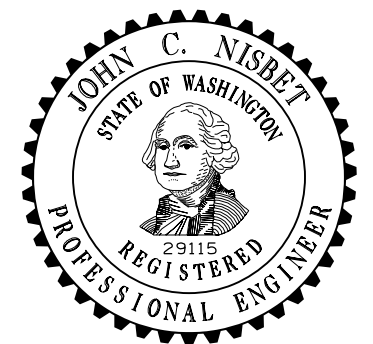
DRAWN BY: FERN LIDDELL



ASSEMBLY NOTES

1. Dimensions for the parts used to assemble the base connections are intentionally not shown. Base connections are patented, manufactured products that are in compliance with NCHRP 350 crash test criteria. The base connection details are shown on this plan only to illustrate how the parts are assembled.
2. Do not tighten any single Slip Plate Bolt to the recommended torque before pretightening the other bolts. Progressively tighten the three Slip Plate Bolts in 10 ft-lb increments, alternately, to a final torque of 40 ft-lbs on each.
3. Use only Slip Base manufacturer supplied hardware that meets the requirements of **Standard Specification Sections 9-06 and 9-28.**

STEEL SIGN SUPPORT TYPE SB-1B & SB-3B ~ 10" (IN)
(UNIBASE)



STEEL SIGN SUPPORT
TYPES SB-1, SB-2 & SB-3
INSTALLATION DETAILS
STANDARD PLAN G-24.40-07

SHEET 6 OF 6 SHEETS

APPROVED FOR PUBLICATION

STATE DESIGN ENGINEER
Washington State Department of Transportation