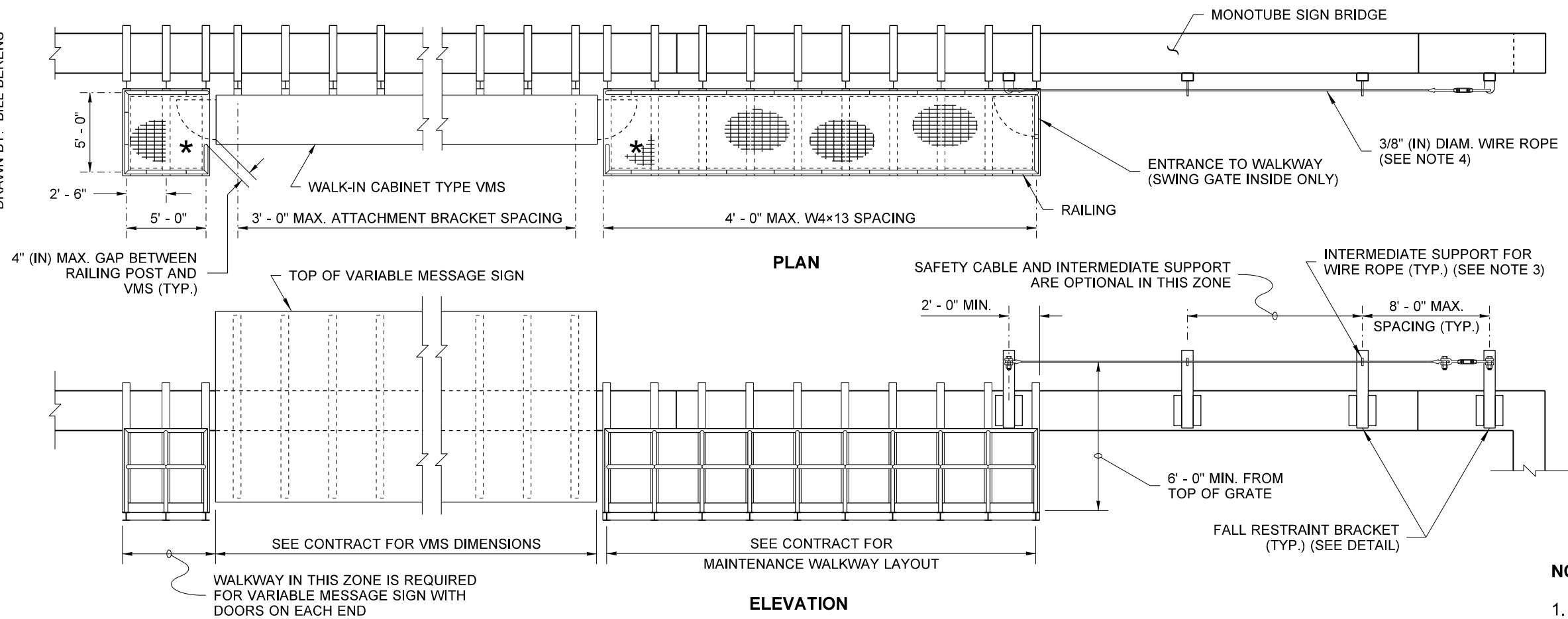


DRAWN BY: BILL BERENS



MATERIAL SPECIFICATIONS	
PIPE	ASTM A 36 OR ASTM A 53 GRADE B, TYPE E OR S, OR ASTM A 500 GRADE B
PLATES AND SHAPES	ASTM A 36
STRUCTURAL TUBING	ASTM A 500 GRADE B
GALVANIZING FOR PIPE, PLATES, SHAPES AND STEEL GRATING	AASHTO M 111
HIGH STRENGTH BOLTS, NUTS, & WASHERS; INCL. MOUNTING BEAM BOLTS	STD SPEC. 9-06.5(3)
ALL OTHER BOLTS	STD SPEC. 9-06.5(1)
FASTENER GALVANIZING	ASTM F2329
STEEL GRATING	ASTM A 36
WIRE ROPE	ASTM A 603 W/ CLASS A WEIGHT ZINC COATED WIRES THROUGHOUT ^①

^① ALLOWABLE ALTERNATE MATERIAL: FEDERAL STANDARD RR-W-410F TYPE 6 CLASS 3 GALVANIZED.

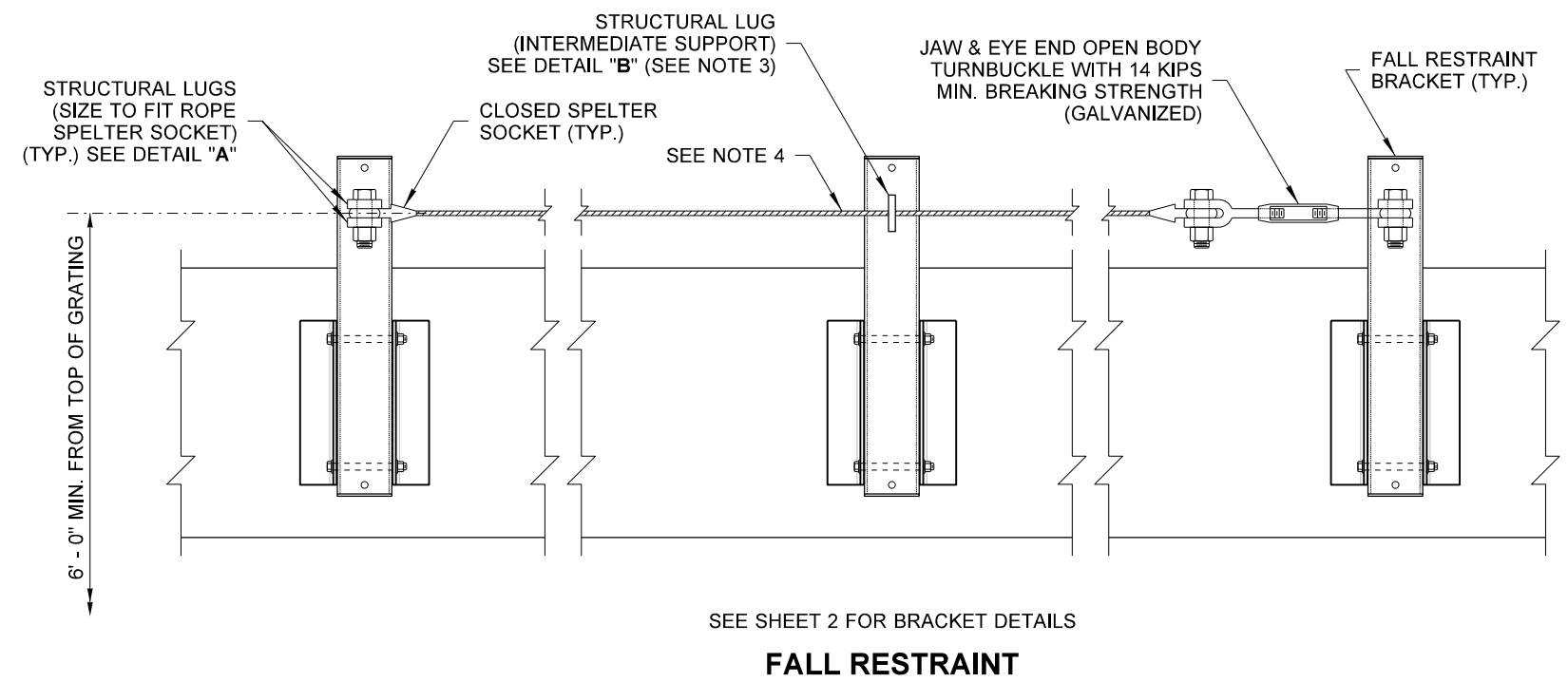
NOTES

1. Not intended for use in front of static signs.
2. For maintenance walkway, railing, grating, and toe plate details, See Standard Plan G-95.10.
3. Use two lanyards through intermediate wire rope support.
4. 3/8" (in) diameter wire rope with 14 kips min. breaking strength. The wire rope shall be installed with 450 lbs. of tension, and with 6" (in) of take up adjustment available in the turnbuckle.
5. Handrail fit-up with VMS door opening is the responsibility of the contractor.

MAINTENANCE WALKWAY INSTALLED ON MONOTUBE SIGN BRIDGE

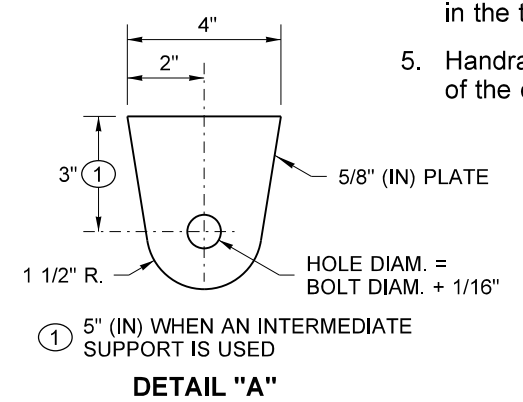
(WALKWAYS MAY BE USED WITH OTHER LAYOUTS THAN THAT SHOWN ABOVE)

* = SEE NOTE 5

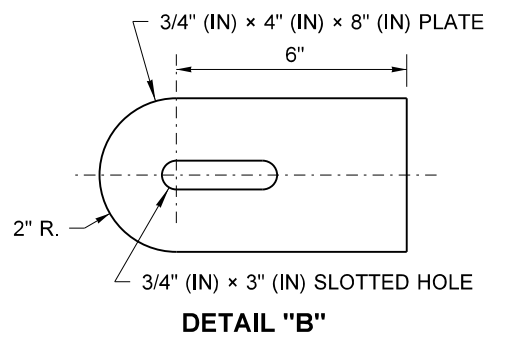


SEE SHEET 2 FOR BRACKET DETAILS

FALL RESTRAINT



DETAIL "A"



DETAIL "B"



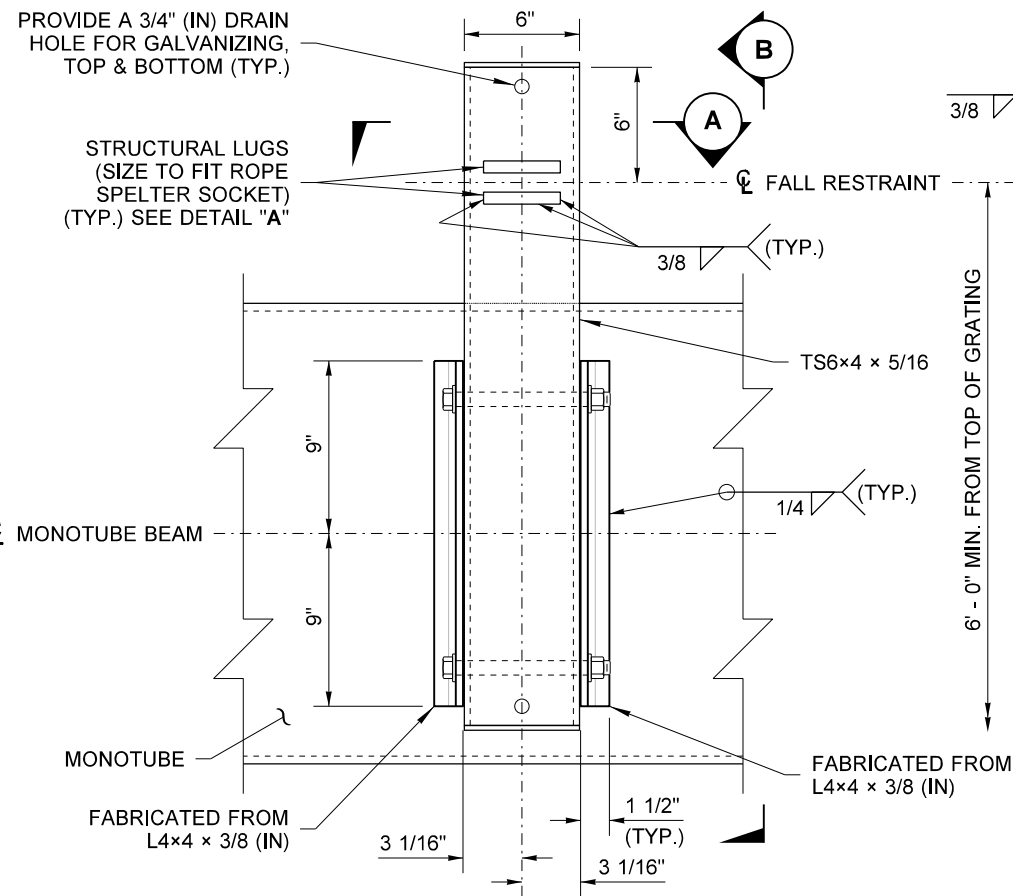
MAINTENANCE WALKWAY MOUNTING FOR MONOTUBE SIGN BRIDGE STANDARD PLAN G-95.20-03

SHEET 1 OF 3 SHEETS

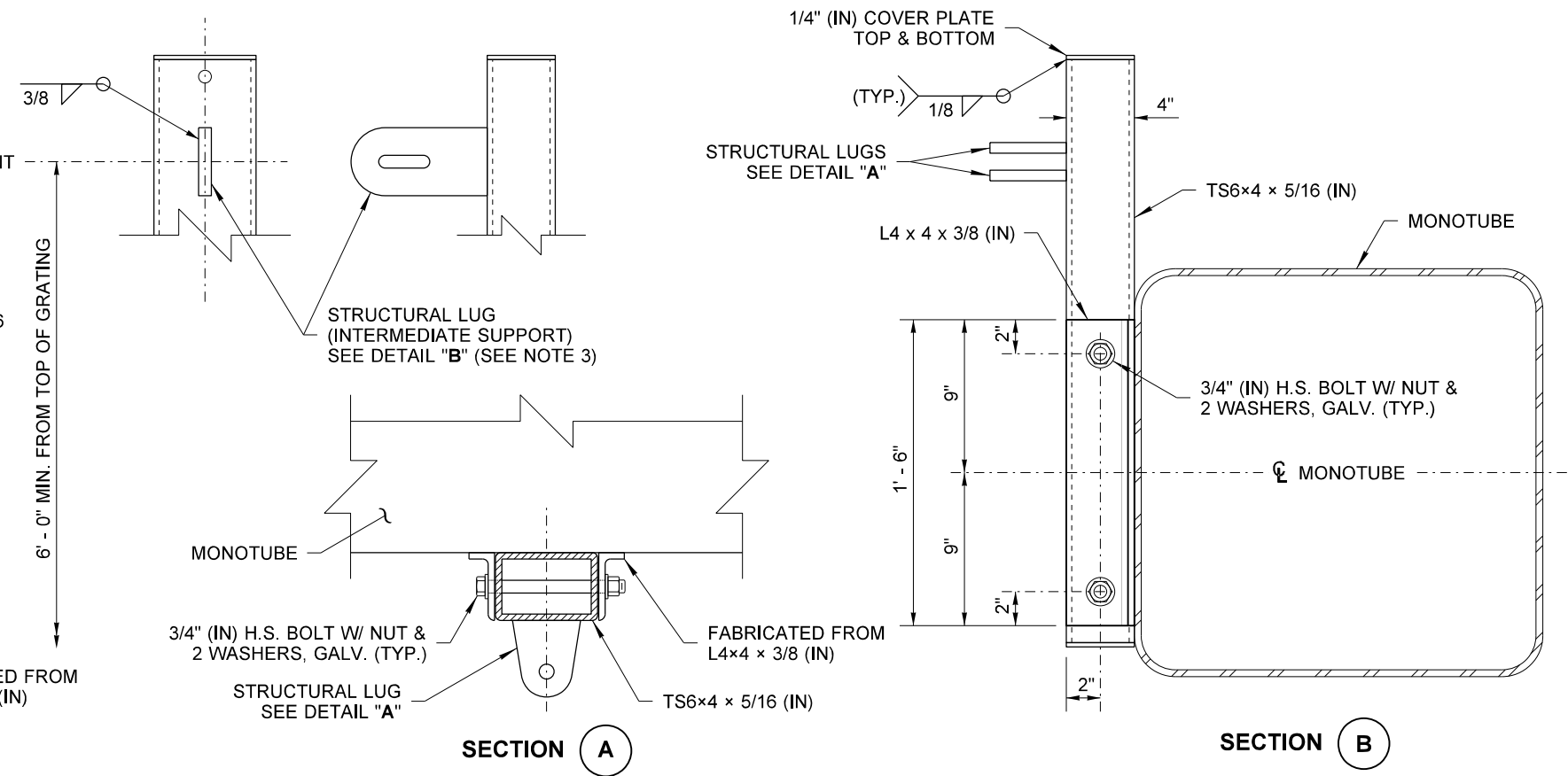
APPROVED FOR PUBLICATION

STATE DESIGN ENGINEER
Washington State Department of Transportation

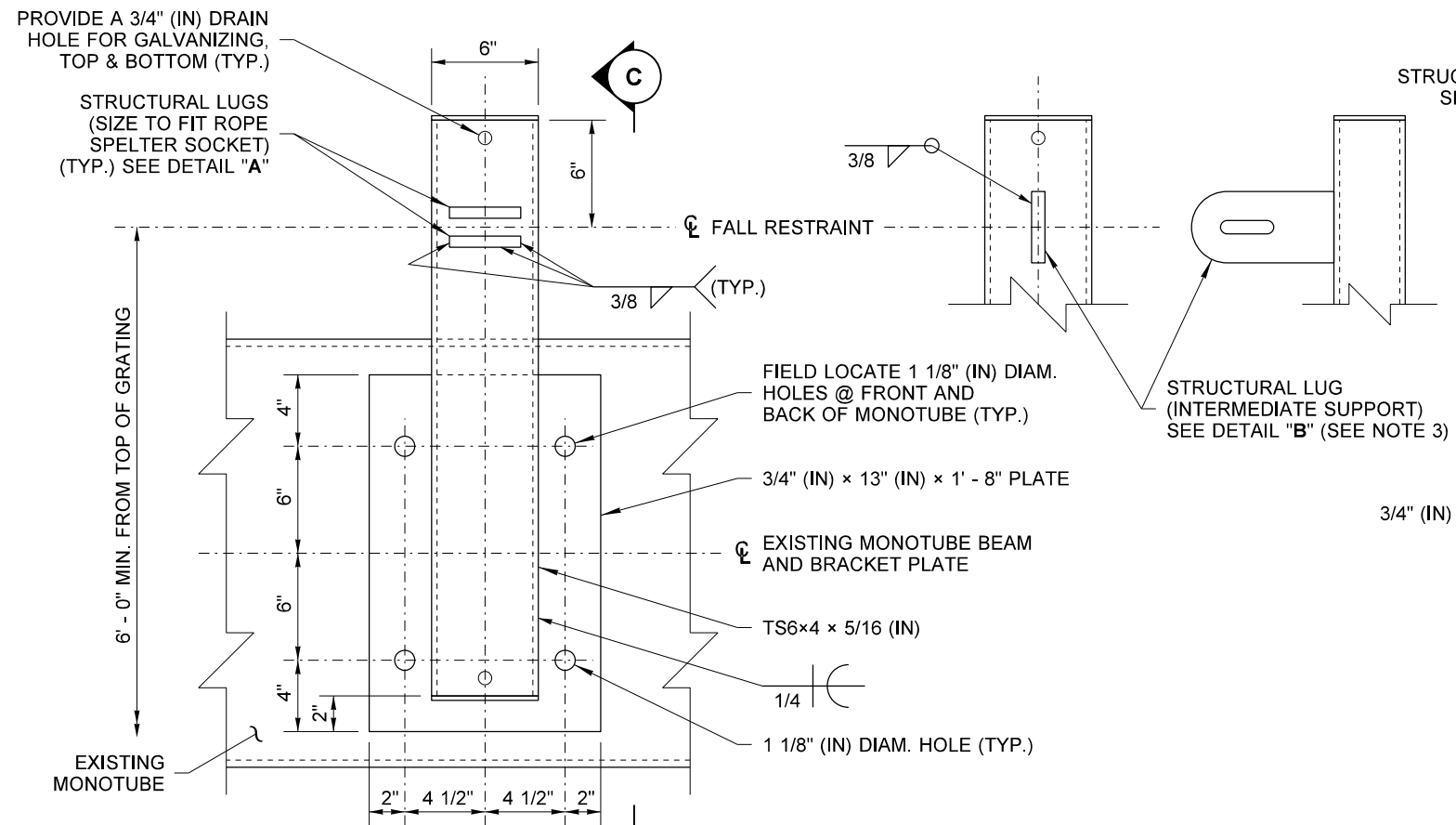
DRAWN BY: BILL BERENS



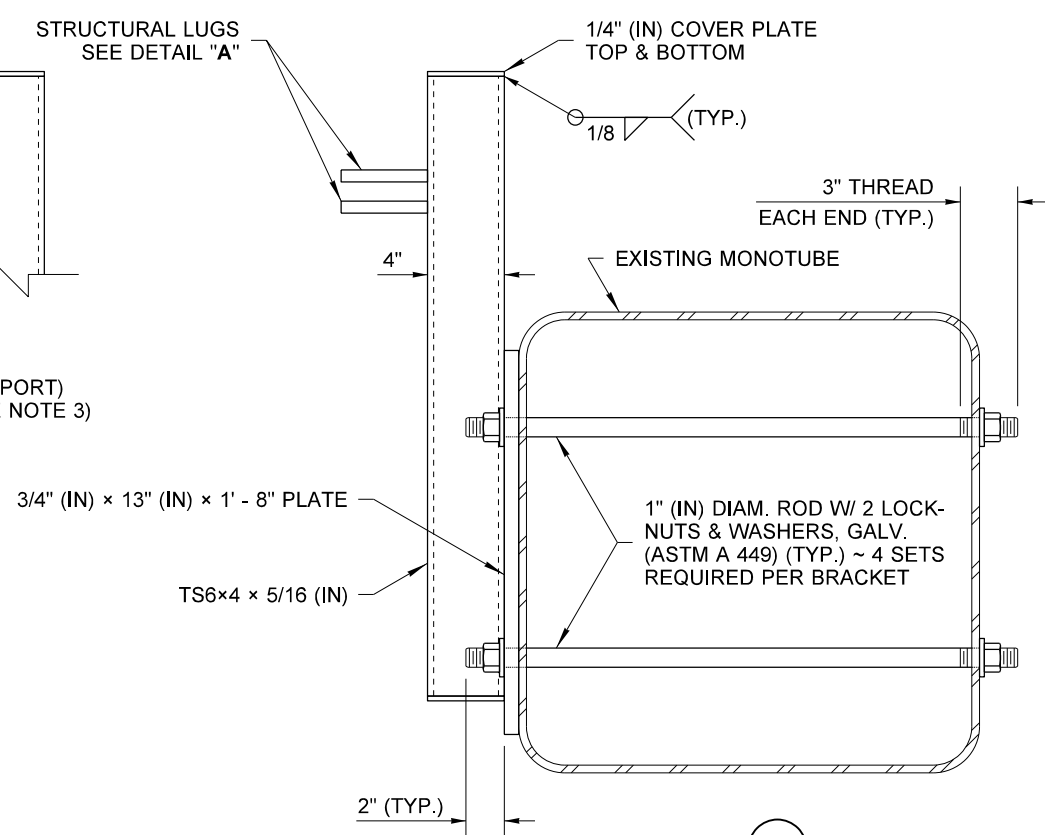
ELEVATION VIEW



FALL RESTRAINT BRACKET INSTALLATION ON NEW MONOTUBE SIGN BRIDGE



ELEVATION VIEW



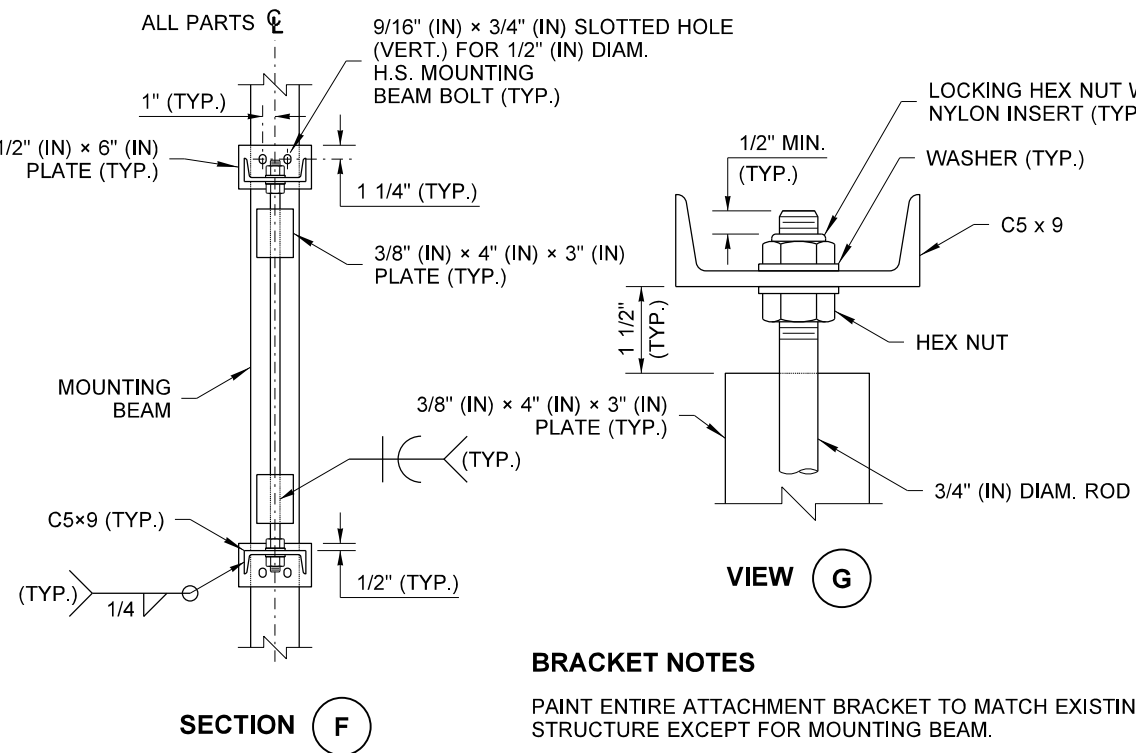
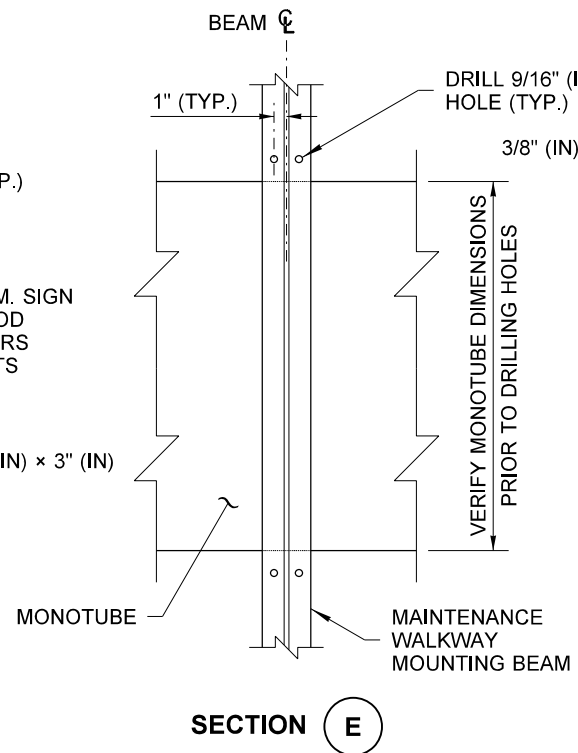
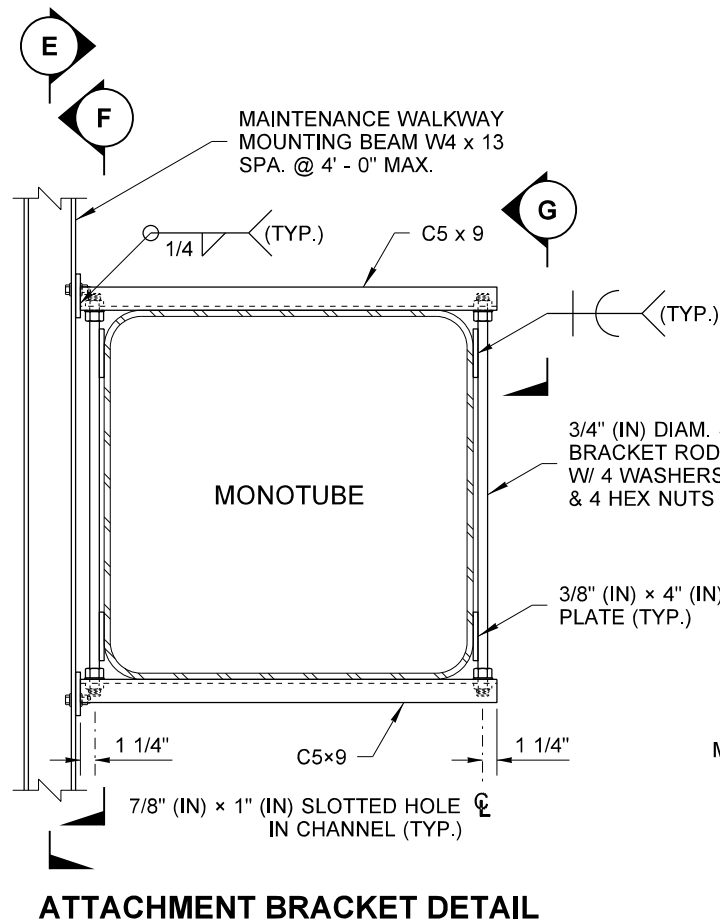
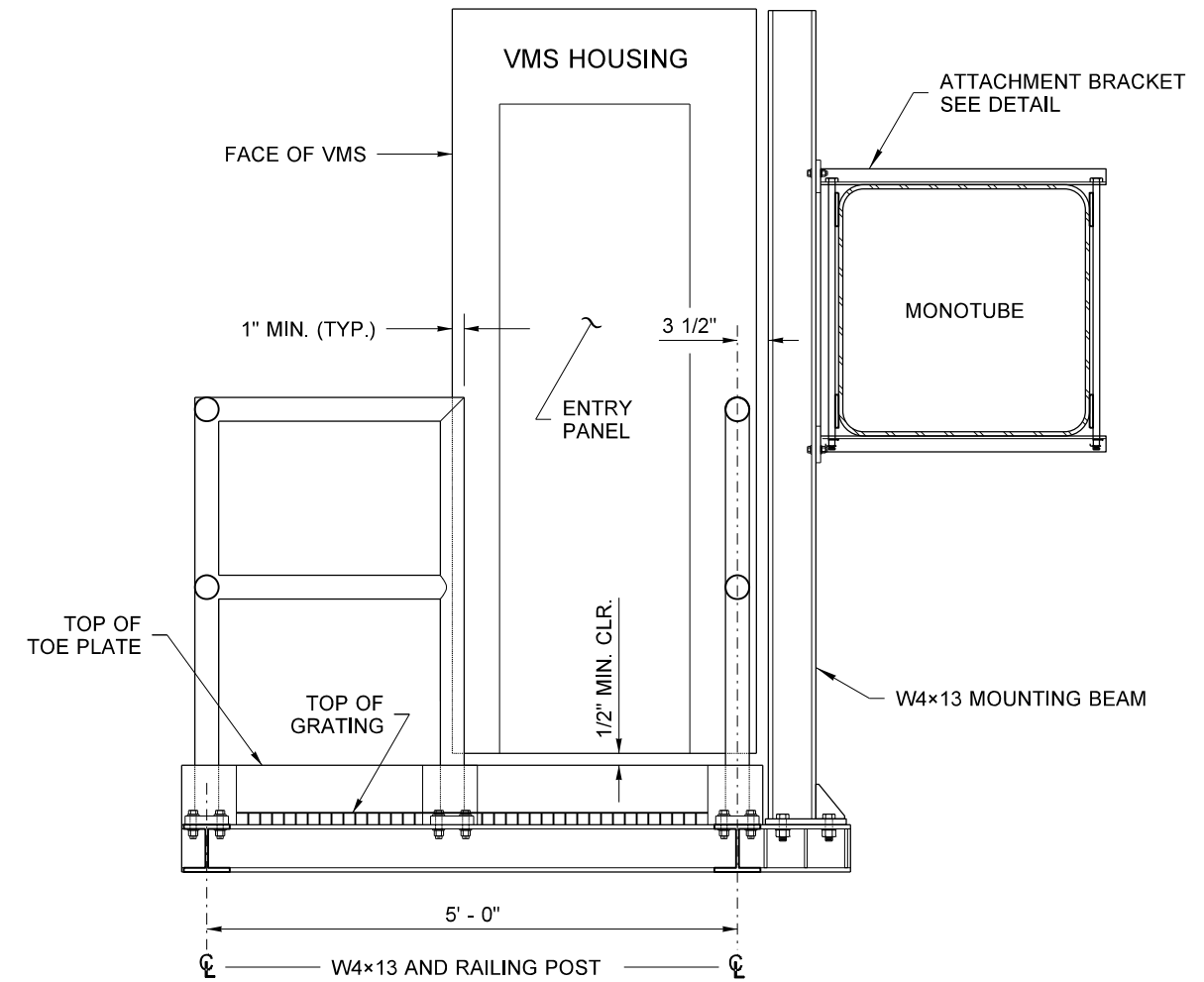
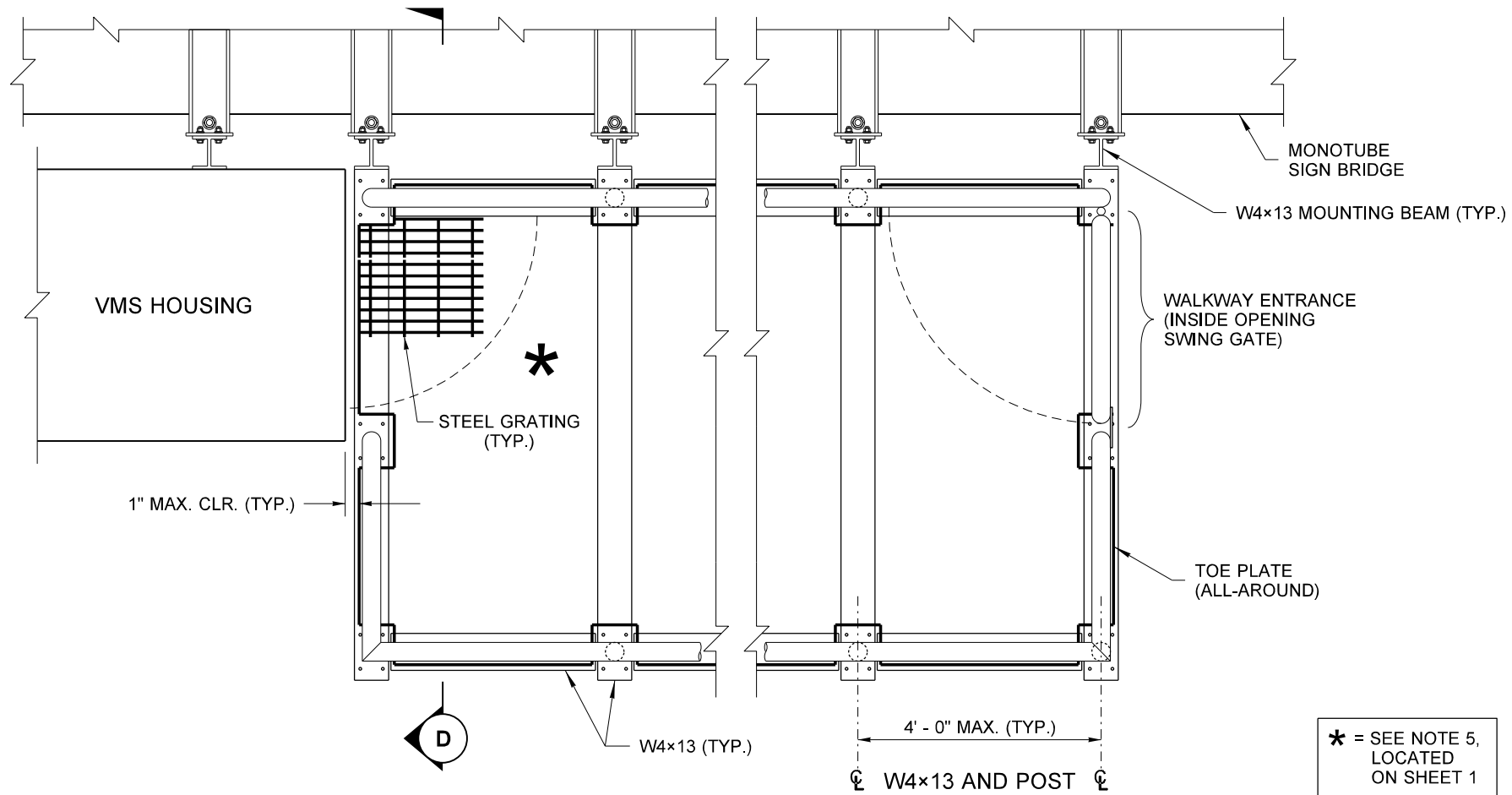
FALL RESTRAINT BRACKET INSTALLATION ON EXISTING MONOTUBE SIGN BRIDGE



MAINTENANCE WALKWAY MOUNTING FOR MONOTUBE SIGN BRIDGE STANDARD PLAN G-95.20-03

SHEET 2 OF 3 SHEETS
APPROVED FOR PUBLICATION

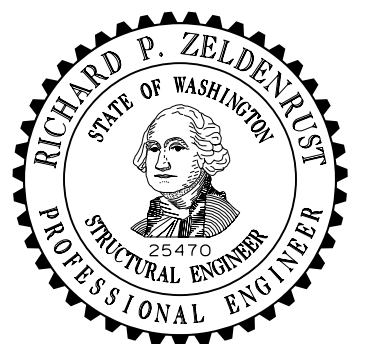
DRAWN BY: BILL BERENS



BRACKET NOTES

PAINT ENTIRE ATTACHMENT BRACKET TO MATCH EXISTING STRUCTURE EXCEPT FOR MOUNTING BEAM.

SIGN, LIGHT, BEAM LENGTHS, SIZE AND SPACING SHALL BE DETERMINED FROM THE CONTRACT PLANS OR WSDOT STANDARD PLANS.



MAINTENANCE WALKWAY MOUNTING FOR MONOTUBE SIGN BRIDGE STANDARD PLAN G-95.20-03

SHEET 3 OF 3 SHEETS

APPROVED FOR PUBLICATION

STATE DESIGN ENGINEER
Washington State Department of Transportation