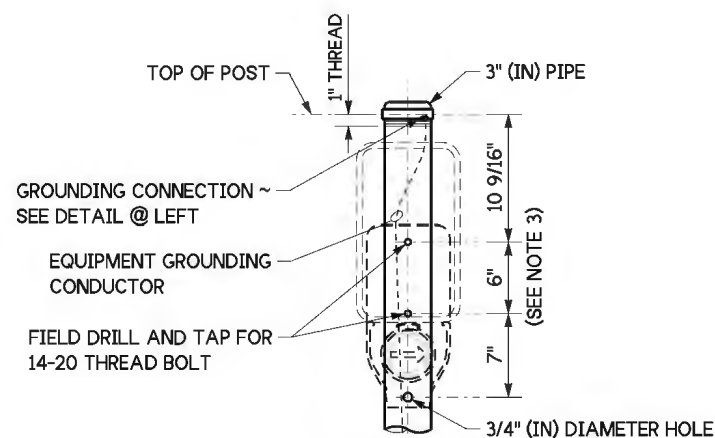


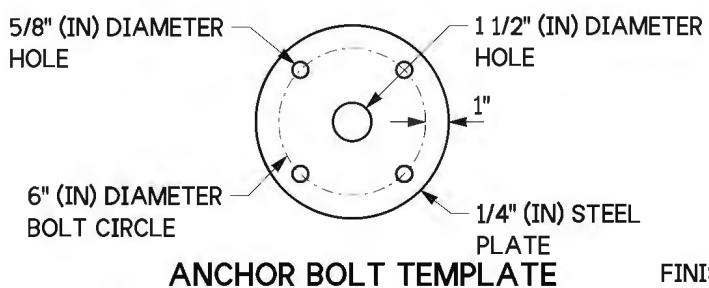
GROUNDING CONNECTION DETAIL



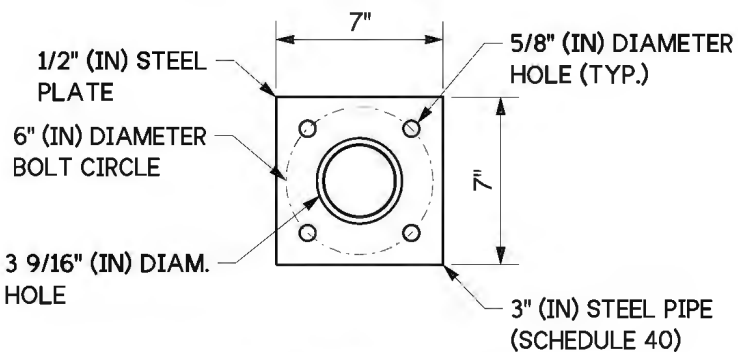
POST DETAIL

NOTES

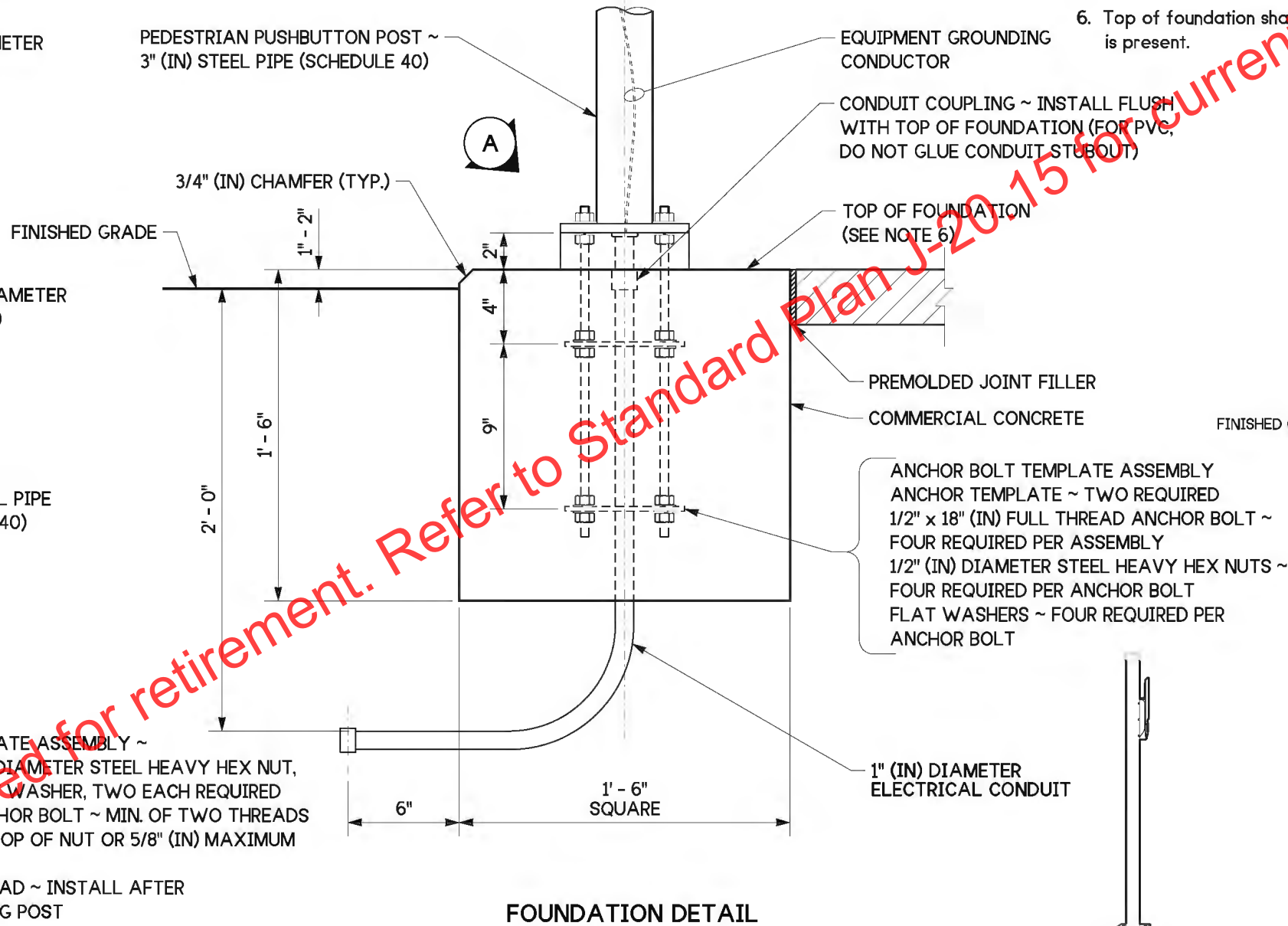
1. See Standard Plan J-20.26 for Accessible Pedestrian Pushbutton details.
2. Where shown in the plans, install plaque (R10-32P) "PUSH BUTTON FOR 2 SECONDS FOR EXTRA CROSSING TIME" above the Accessible Pedestrian Signal (APS) assembly. Add 14" (in) to post height to accommodate plaque and leave a 2" (in) space between signs.
3. Mounting distances vary between manufacturers. See manufacturers recommendations for mounting information.
4. Junction Box serving the Standard shall preferably be located 5' - 0" (10' - 0" Max.) from the post.
5. Two button installation may require adaptor(s).
6. Top of foundation shall be flush with top of adjacent sidewalk, or road surface if no sidewalk is present.



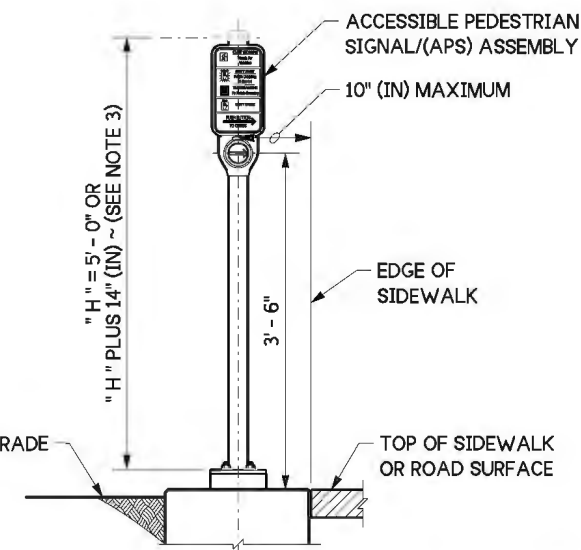
ANCHOR BOLT TEMPLATE



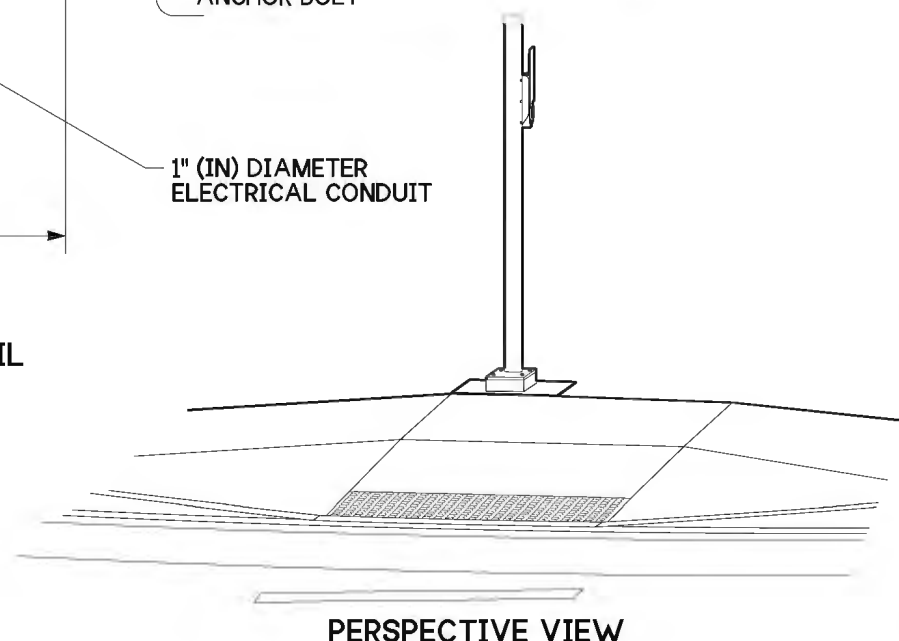
BASE PLATE DETAIL



FOUNDATION DETAIL



ELEVATION



Sep 29, 2023

ACCESSIBLE PEDESTRIAN PUSHBUTTON POST (PPB) AND FOUNDATION

STANDARD PLAN J-20.10-05

SHEET 1 OF 1 SHEET

APPROVED FOR PUBLICATION

*Mark A. Davis*

Oct 4, 2023

STATE DESIGN ENGINEER



This plan is scheduled for retirement. Refer to Standard Plan J-20.15 for current policy installation details.