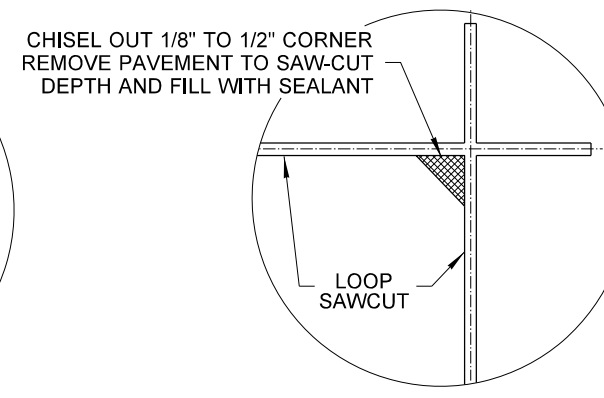
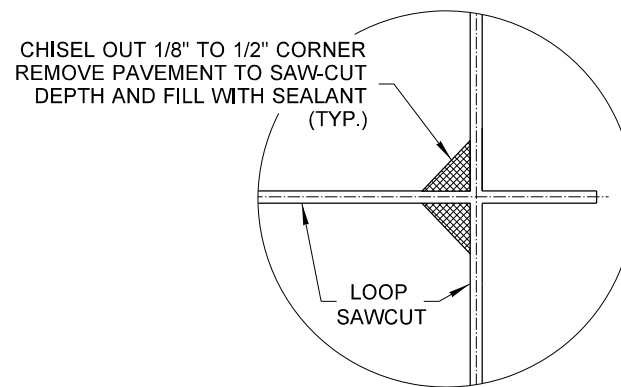
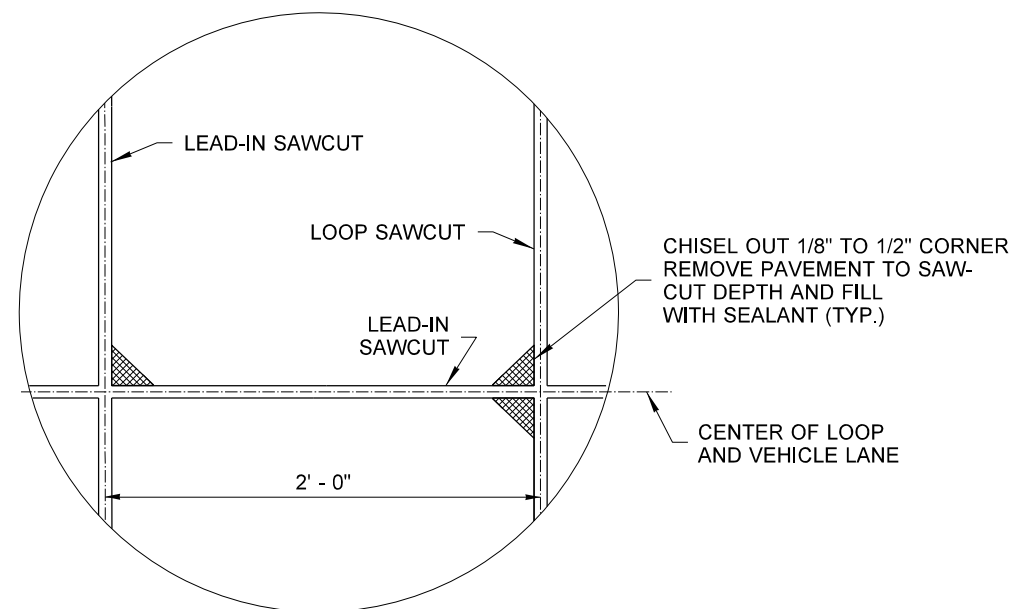
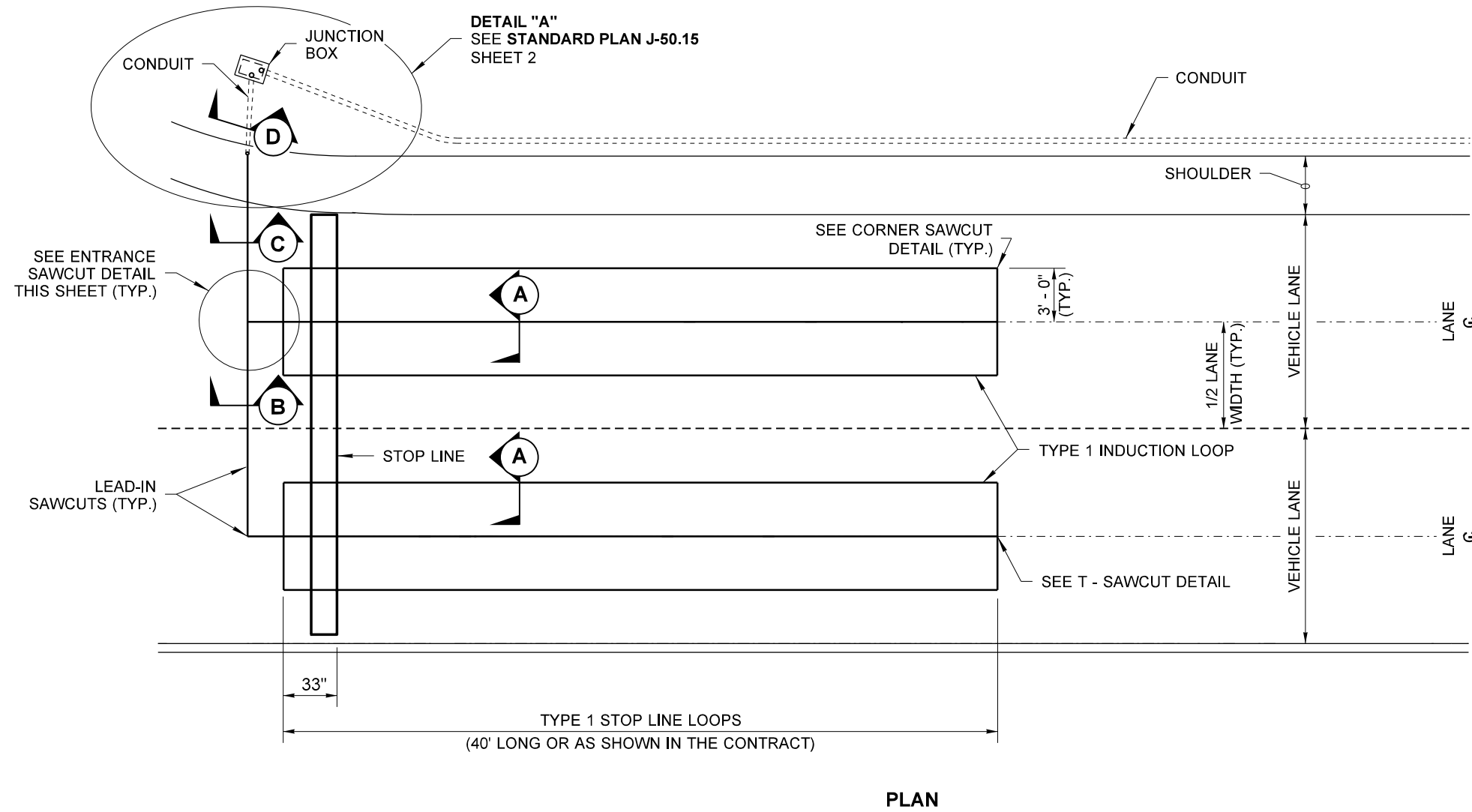


NOTES

1. For Installation Notes and Details see **Standard Plan J-50.15**.
2. For **Sections A, B, C, and D**, see **Standard Plan J-50.15**.
3. For wiring details, see **Standard Plan J-50.18**



**TYPE 1 INDUCTION LOOP
STANDARD PLAN J-50.10-01**

SHEET 1 OF 1 SHEET

APPROVED FOR PUBLICATION