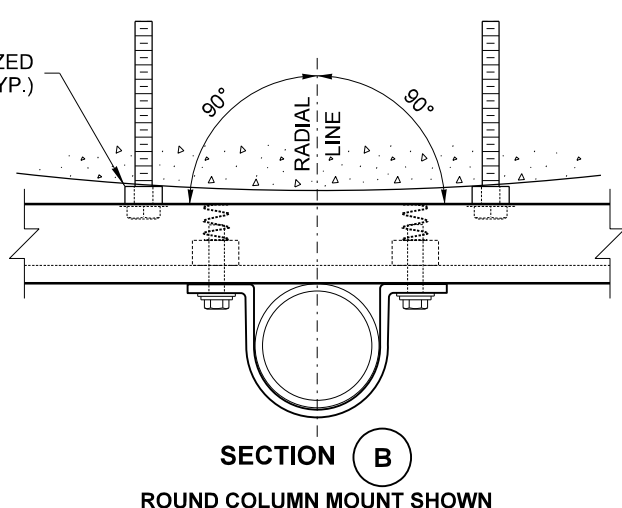
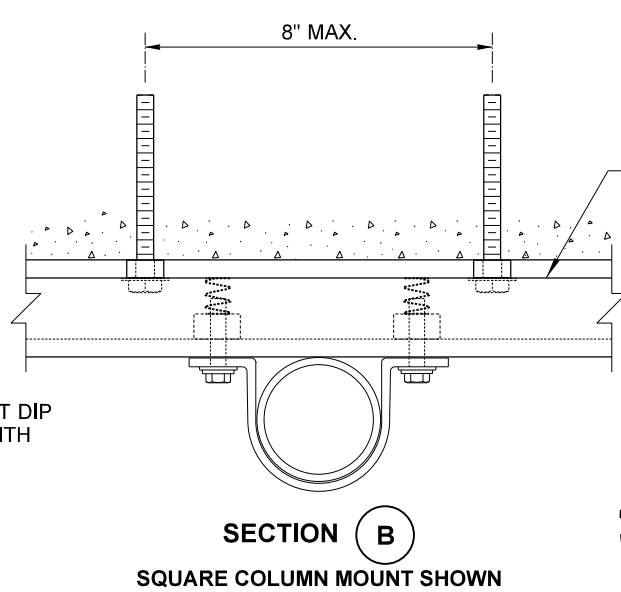
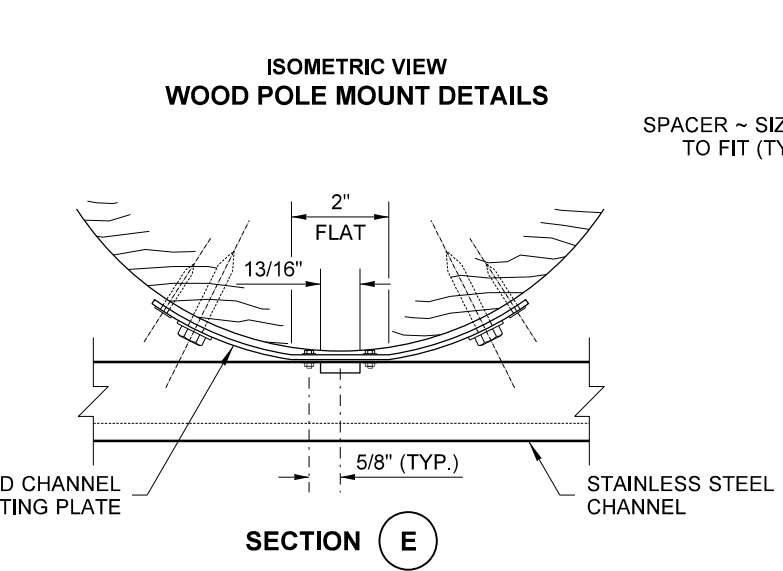
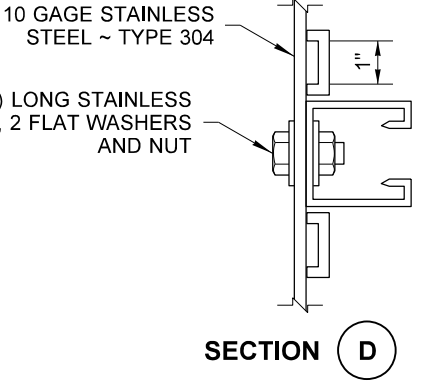
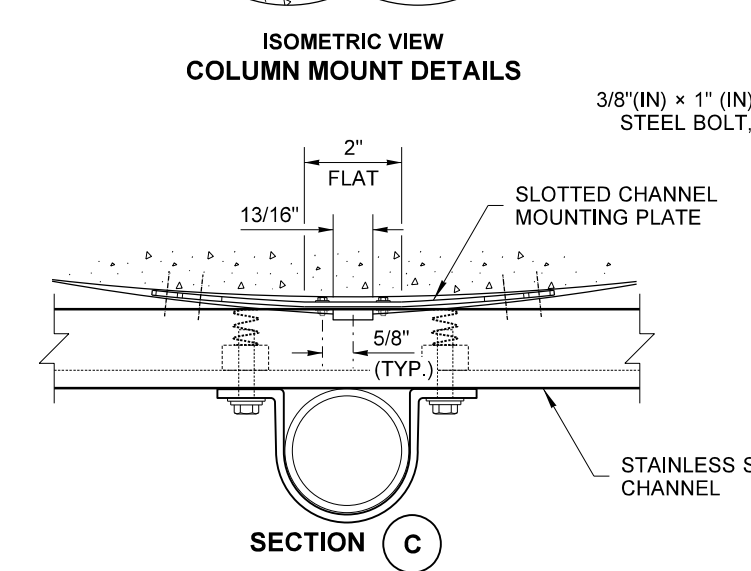
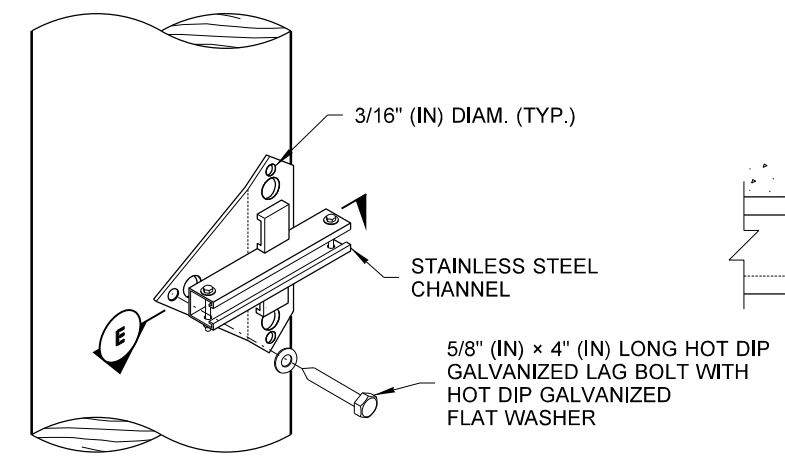
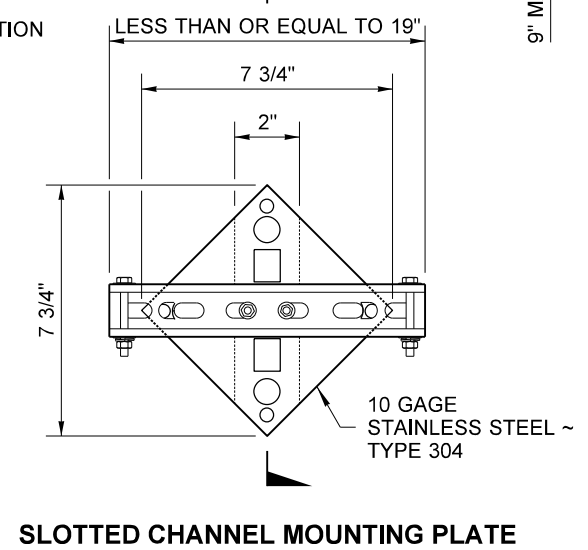
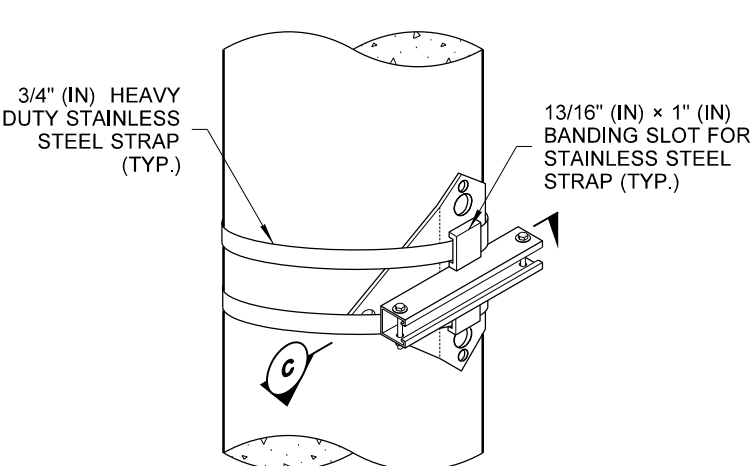
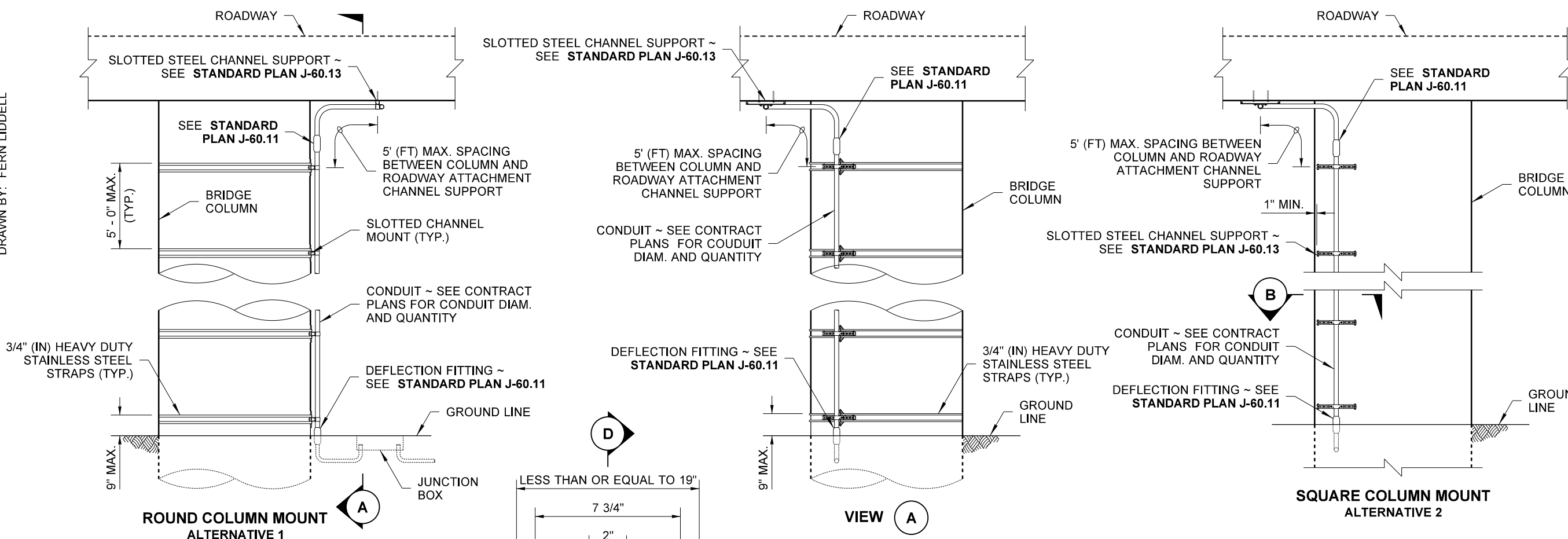


DRAWN BY: FERN LIDDELL



- NOTES**
1. See **Standard Plan J-60.13** for Slotted Steel Channel details.
 2. Stainless Steel Channel to be plumb to face of structure. Size spacer to maintain plumb line.
 3. Slotted Channel mounting plate shall be installed where conduit is routed along column.
 4. See Contract Plans for specified Alternative attachment type.



STAINLESS STEEL CHANNEL MOUNTING DETAILS ON COLUMN OR POLE
STANDARD PLAN J-60.14-01