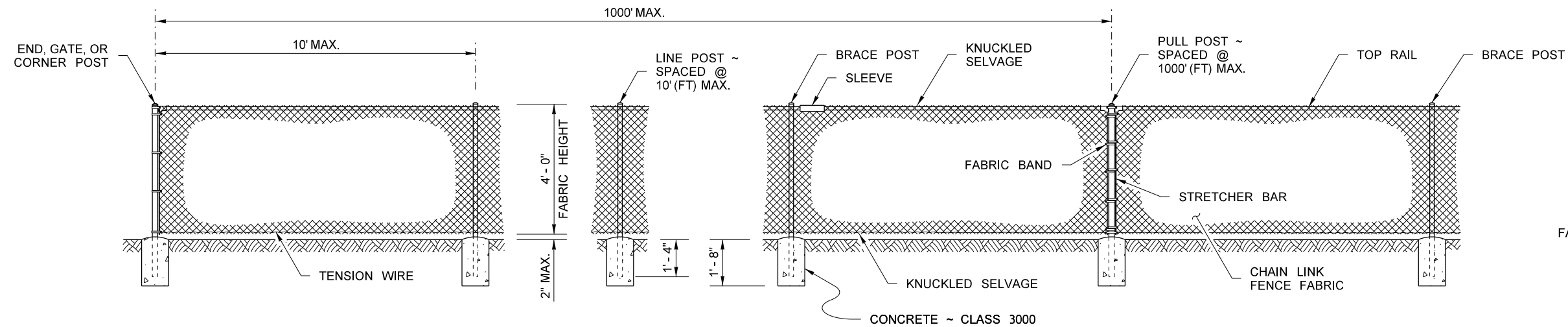
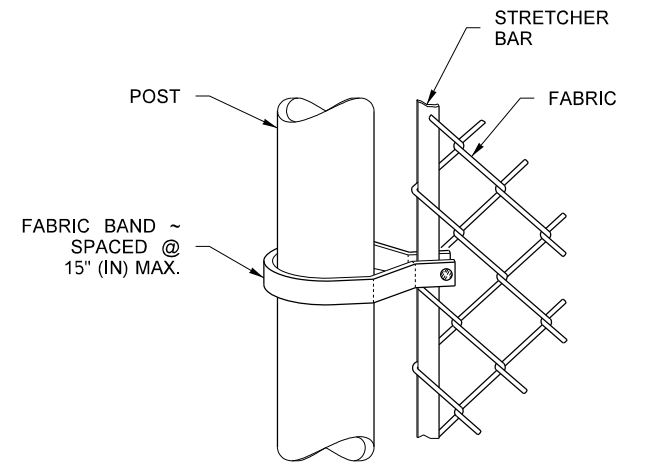


TYPE 1



TYPE 6



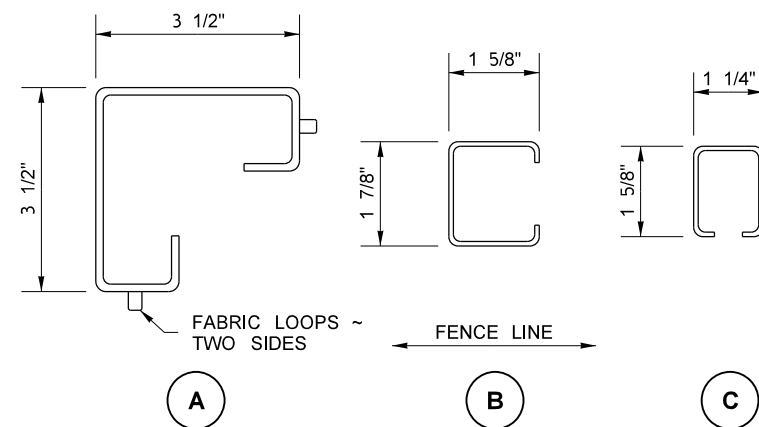
METHOD OF FASTENING STRETCHER BAR TO POST (SHOWN FOR ROUND POST)

NOTES

1. ALL CONCRETE POST BASES SHALL BE 10" (IN) MINIMUM DIAMETER.
2. TENSION WIRE SHALL BE PLACED WITHIN THE LIMITS OF THE FIRST FULL FABRIC WEAVE.
3. DETAILS ARE ILLUSTRATIVE AND SHALL NOT LIMIT HARDWARE DESIGN OR POST SELECTION OF ANY PARTICULAR FENCE TYPE.

POST AND RAIL SPECIFICATIONS

| MEMBER | PIPE | CONC. | |
|---------------------------|---------------------|----------|------------------|
| | NOM. SIZE (SCH. 40) | SECTION | WEIGHT (LB./FT.) |
| END, CORNER, OR PULL POST | 2 1/2" DIAM. | A | 5.10 |
| LINE OR BRACE POST | 2" DIAM. | B | 2.40 |
| BRACE OR TOP RAIL | 1 1/4" DIAM. | C | 1.35 |
| GATE POST | 3 1/2" DIAM. | | |



FILE NAME S:\Design R P& S\4-Standards\2-Plan Sheet Library\01-Published PSL(FS) Fence and Glare Screen(FS-2) Chain Link Fence with Top Rail\FS-2.dgn

TIME 2:44:01 PM

DATE 10/2/2014

PLOTTED BY FletcCo

DESIGNED BY

ENTERED BY

CHECKED BY

PROJ. ENGR.

REGIONAL ADM.

REGION NO.

STATE

WASH

JOB NUMBER

CONTRACT NO.

LOCATION NO.

DATE

DATE

BY

FED.AID PROJ.NO.

DATE

P.E. STAMP BOX

P.E. STAMP BOX



CHAIN LINK FENCE WITH TOP RAIL

Plot 1

PLAN REF NO

FS-2

SHEET

1

OF

1

SHEETS