

2023 Ramp & Roadway



Washington State Department of
Transportation

Northwest Region- Whatcom County
Data Station Reference Guide

Page Intentionally Left Blank

Table of Contents

Legend 3

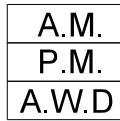
I-5 4

SR 9..... 14

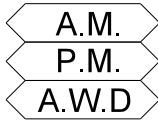
SR 539 17

SR 543 18

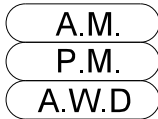
LEGEND



RAMP VOLUME



HIGH-OCCUPANCY VEHICLE (HOV) LANE VOLUME



MAINLINE VOLUME
(DOES NOT INCLUDE HOV LANE VOLUME)



HOV FACILITY



BEGINNING OR END OF HOV FACILITY



METERED RAMP SHOULDER



PEAK HOUR OCCURRED OUTSIDE OF NORMAL PEAK HOUR
(6:00 A.M. TO 10:00 A.M. OR 2:00 P.M. TO 7:00 P.M.; SEE APPENDIX)

S

SPEED DATA AVAILABLE AT THIS LOCATION

T

SPEED DATA OBTAINED FROM TUBE COUNTERS

A.M.

A.M. PEAK HOUR VOLUME

P.M.

P.M. PEAK HOUR VOLUME

A.W.D

AVERAGE WEEKDAY VOLUME

CONSTR

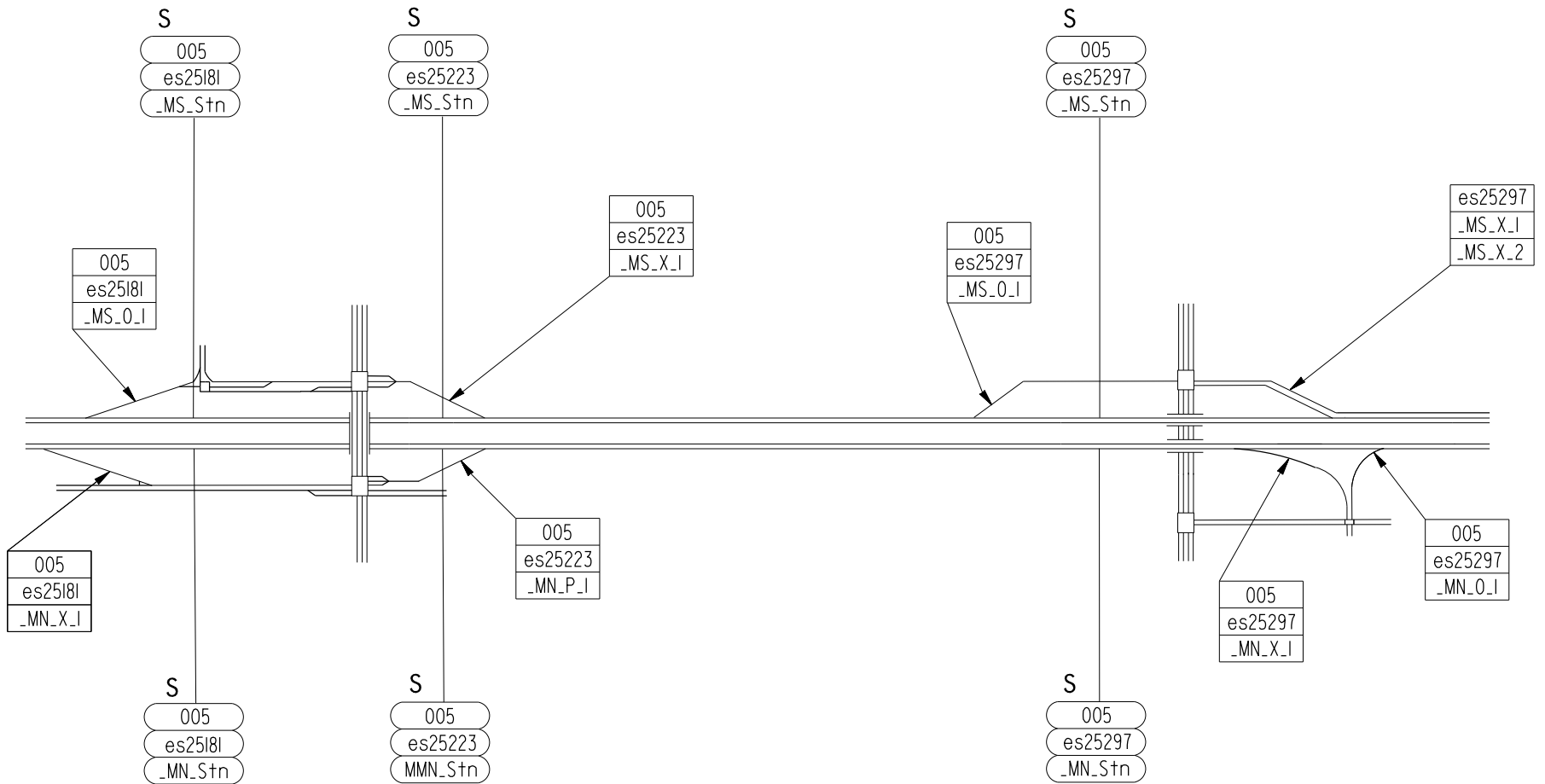
DATA NOT AVAILABLE DUE TO CONSTRUCTION

N.A.

DATA NOT AVAILABLE

EXIT 252
SAMISH WAY

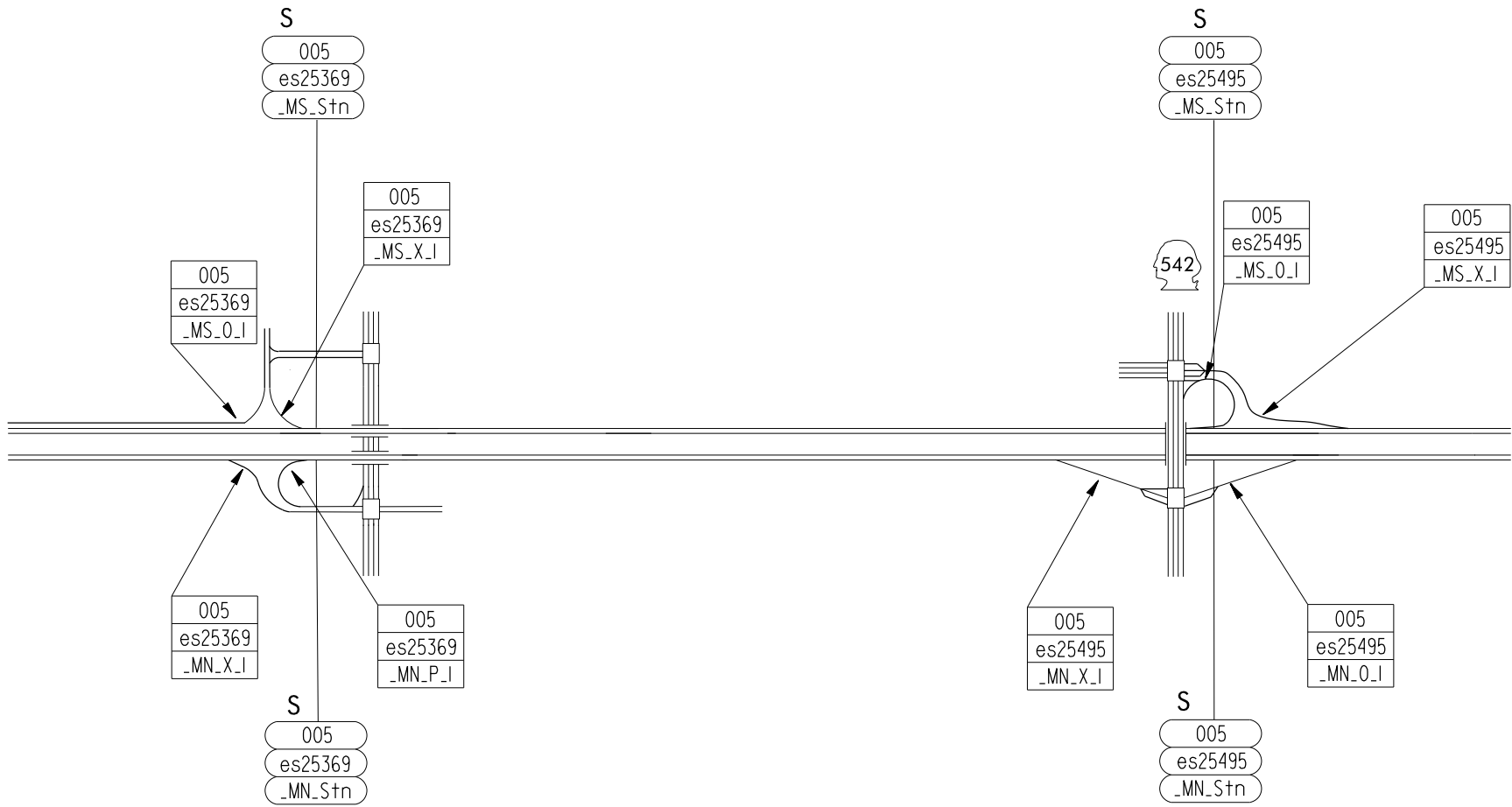
EXIT 253
LAKEWAY DR



 Washington State Department of Transportation		1 OF 10
--	---	---------------

EXIT 254
OHIO ST IOWA ST

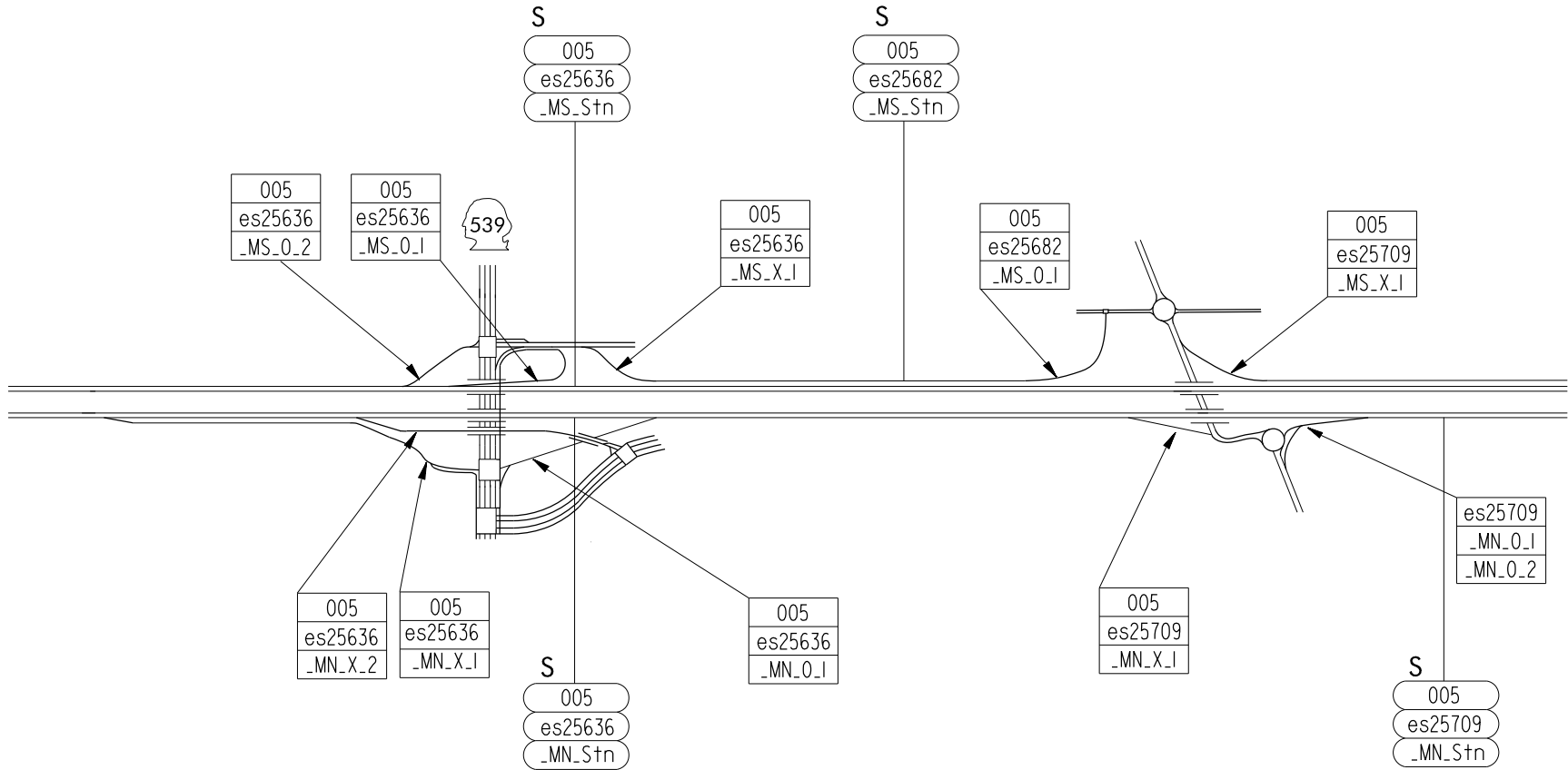
EXIT 255
SR 542
SUNSET DR



	Washington State Department of Transportation		2 OF 10
--	--	--	---------------

EXIT 256A/B
SR 539
MERIDIAN ST

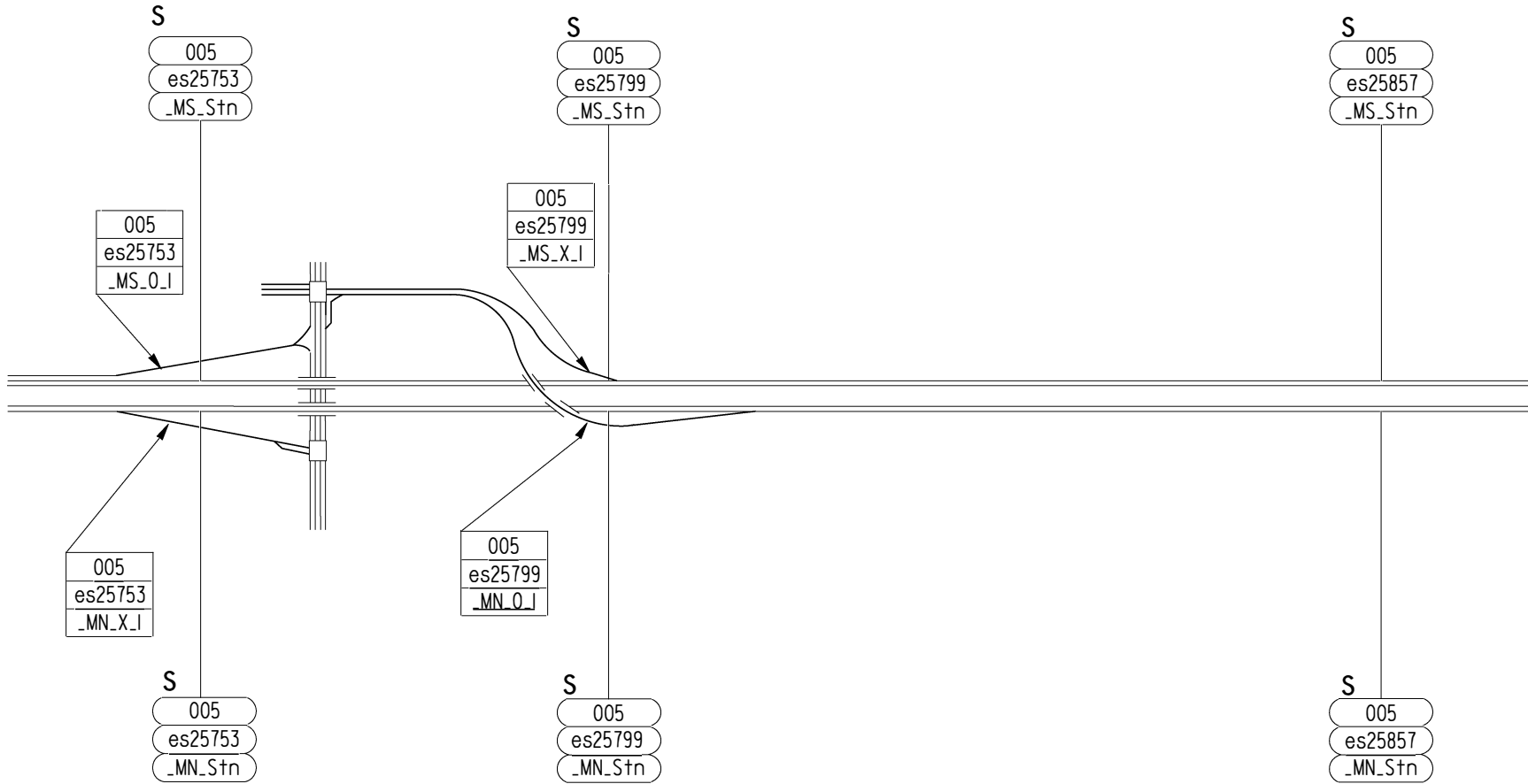
EXIT 257
NORTHWEST AVE



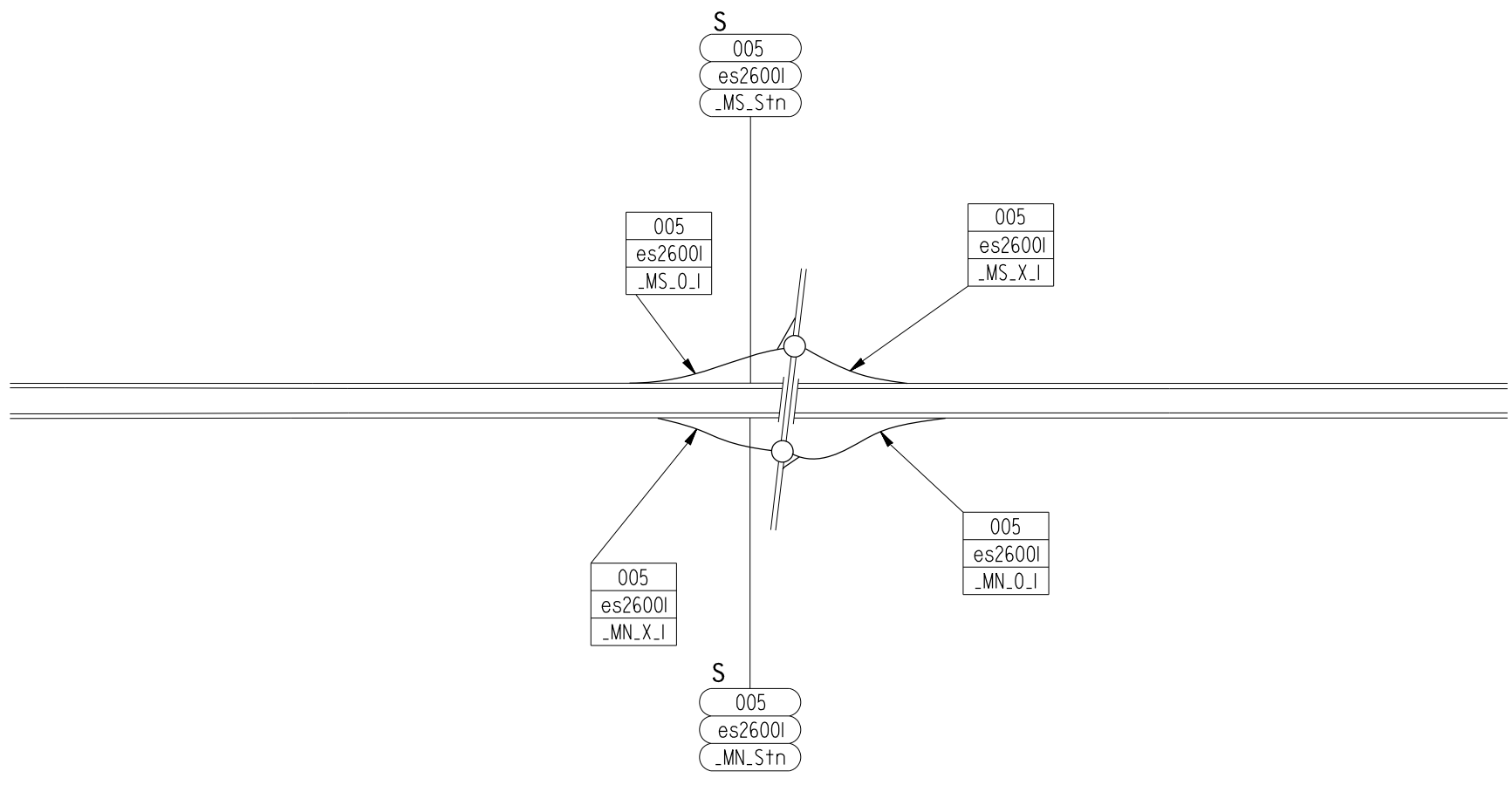
	Washington State Department of Transportation		3 OF 10
--	--	--	---------------

EXIT 258
BAKERVIEV RD

BELLINGHAM AIRPORT



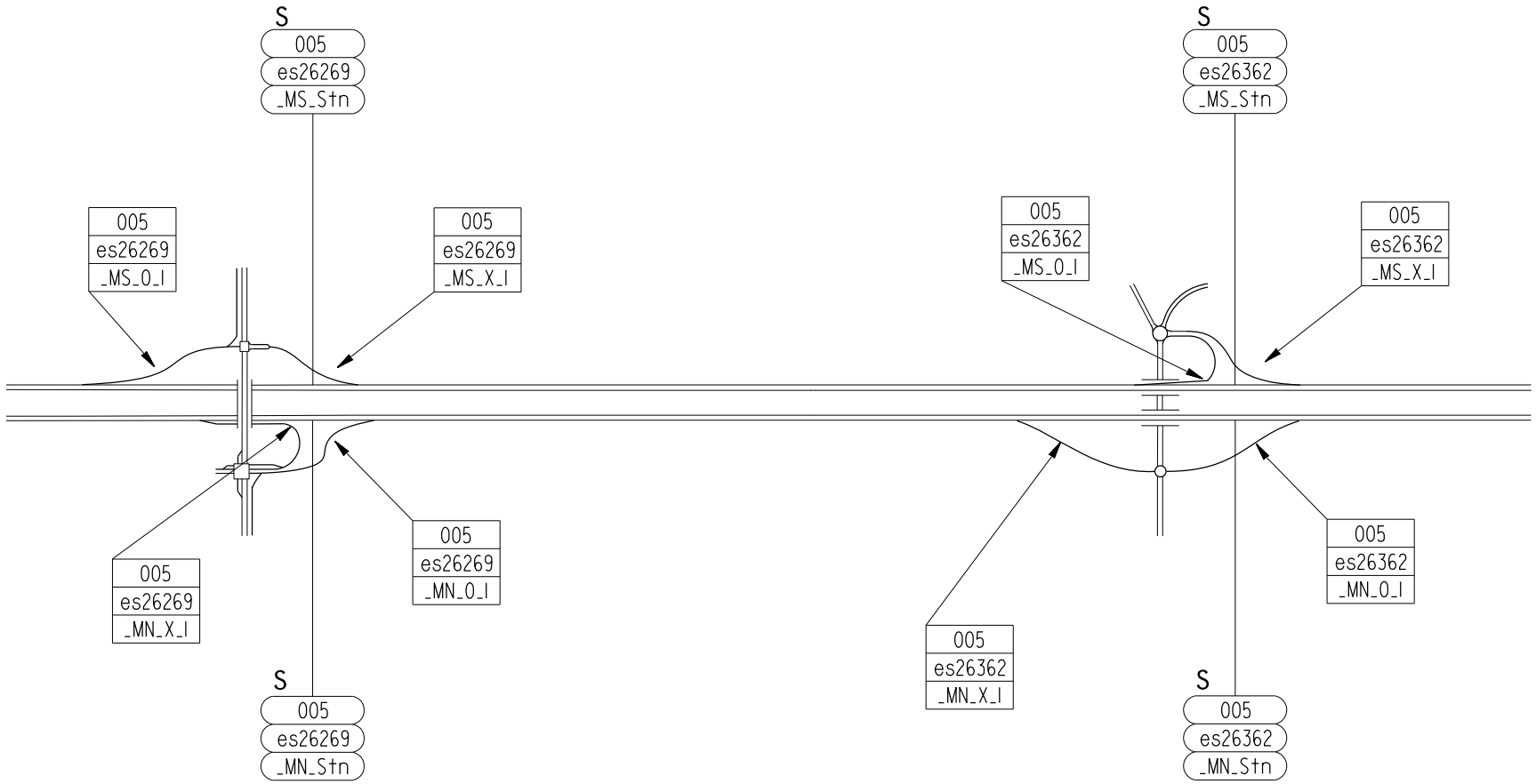
EXIT 260
SLATER RD



 Washington State Department of Transportation		5 OF 10
--	---	---------------

EXIT 262
MAIN ST

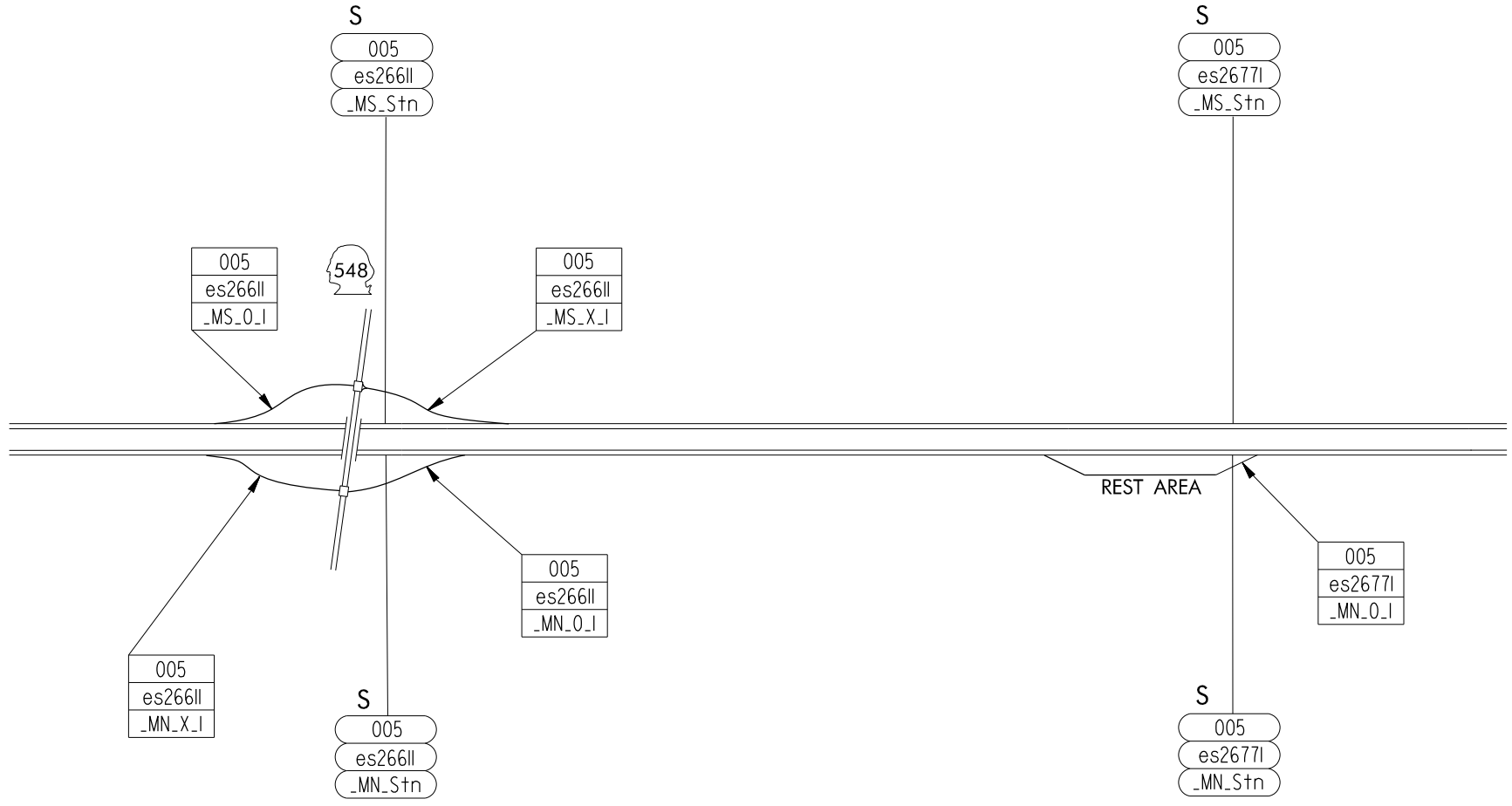
EXIT 263
PORTAL WAY



	Washington State Department of Transportation		6 OF 10
---	--	---	---------------

EXIT 266
SR 548
GRANDVIEW RD

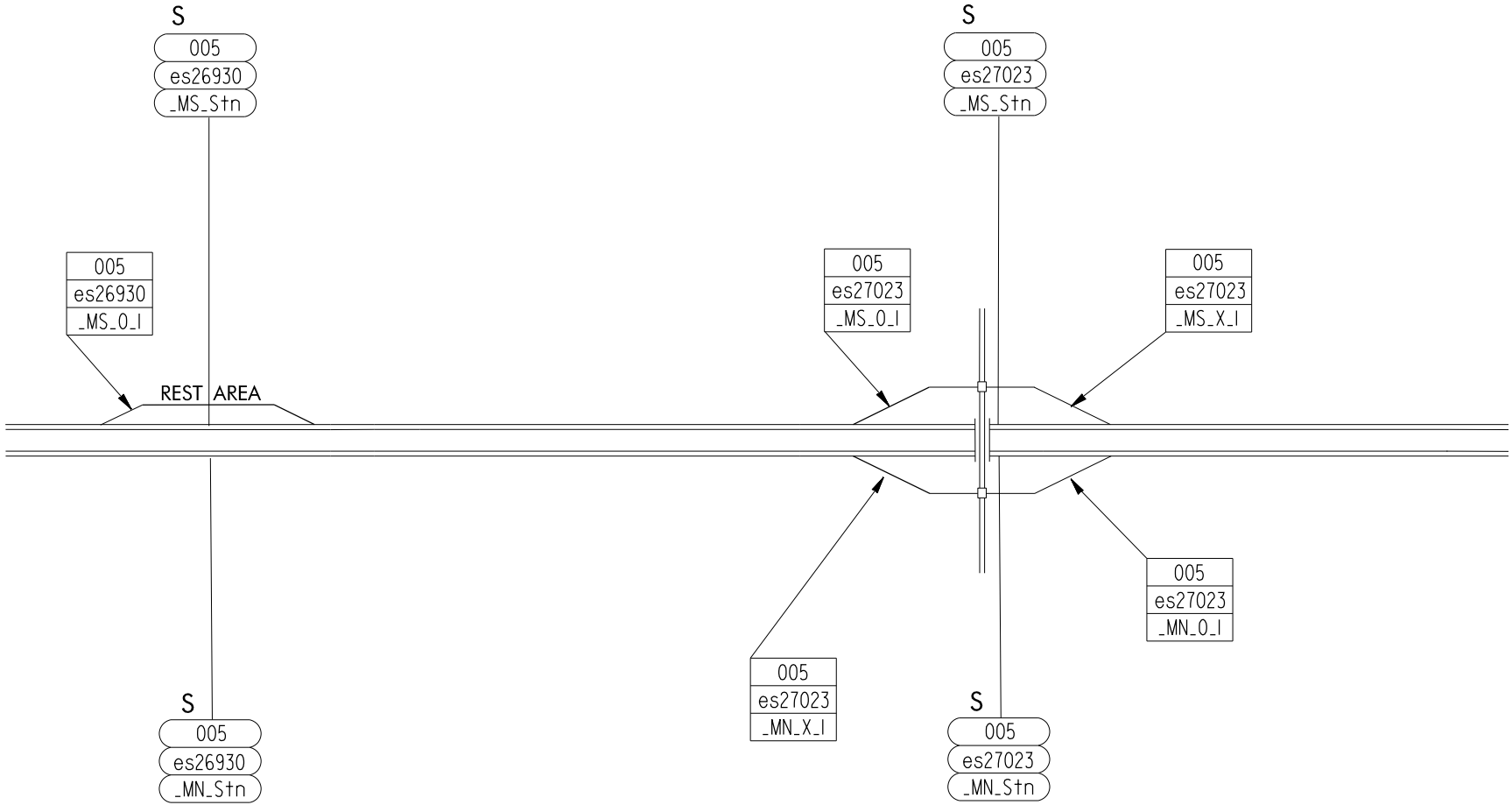
NORTHBOUND CUSTER REST AREA



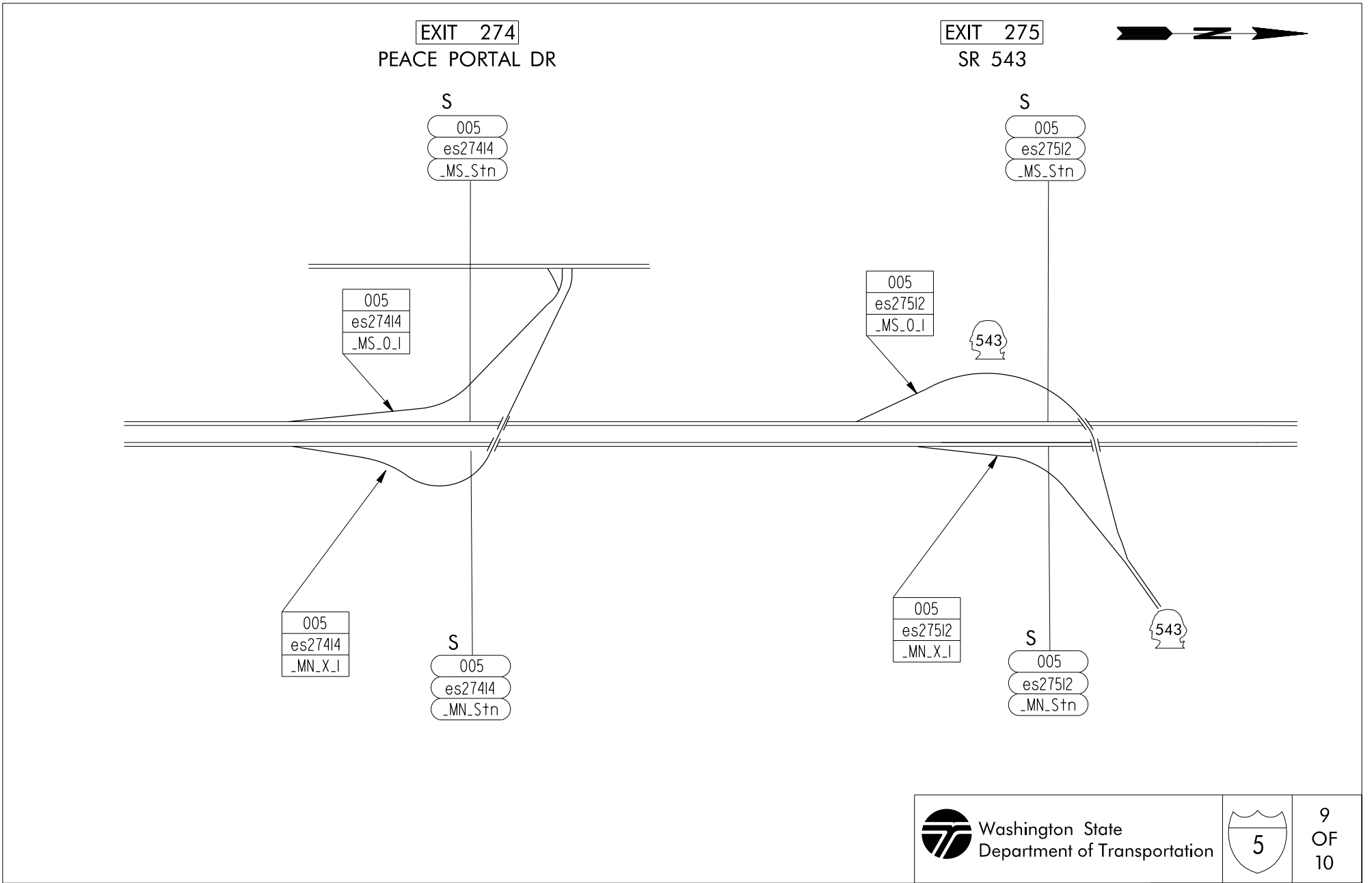
 Washington State Department of Transportation		7 OF 10
--	---	---------------

SOUTHBOUND CUSTER REST AREA

EXIT 270
BIRCH BAY LYNDEN RD



 Washington State Department of Transportation		8 OF 10
--	---	---------------

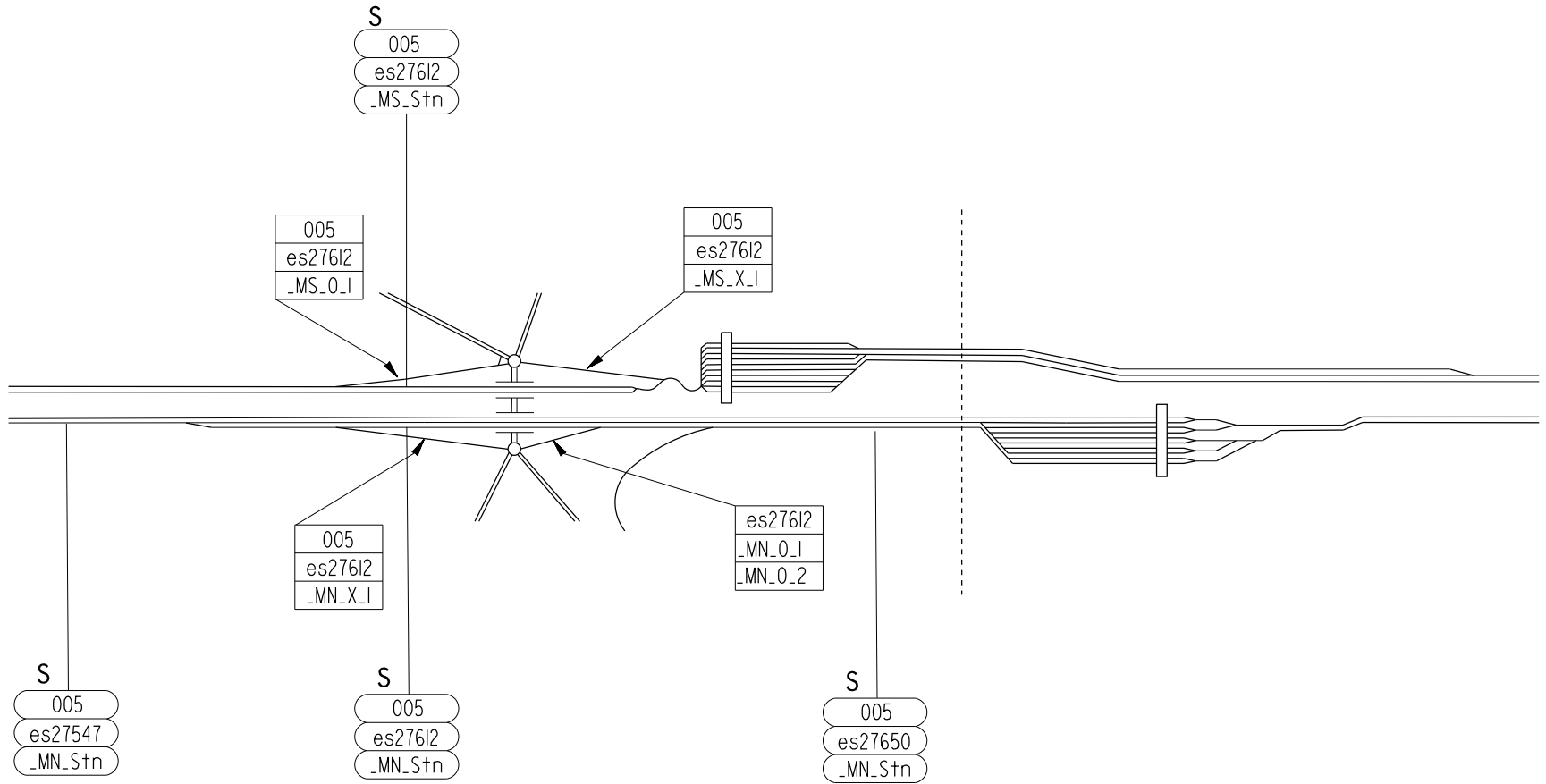


 Washington State Department of Transportation		9 OF 10
--	---	---------------

EXIT 276

D ST

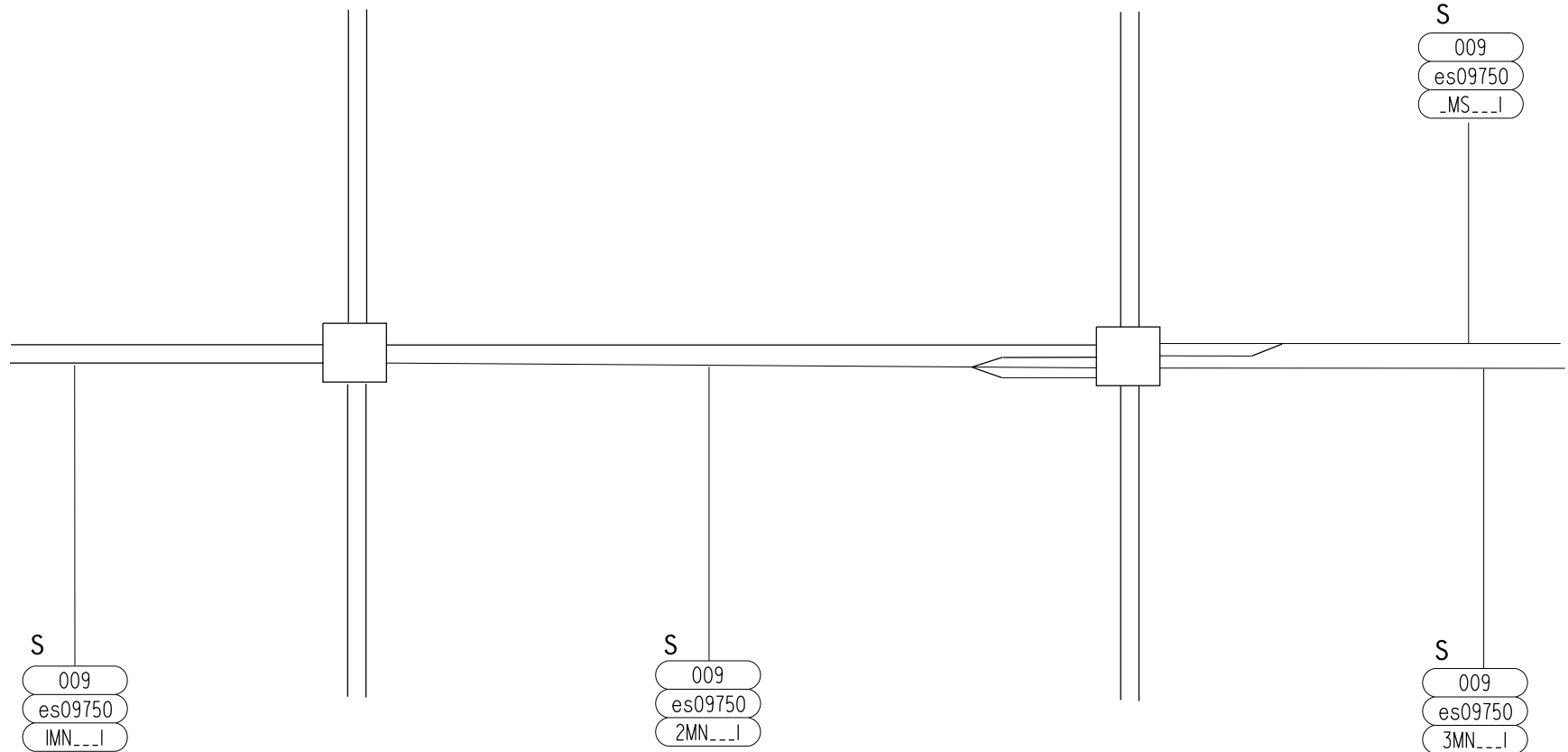
US/CANADIAN BORDER



	Washington State Department of Transportation		10 OF 10
--	--	--	----------------

SUMAS AVE

FRONT ST





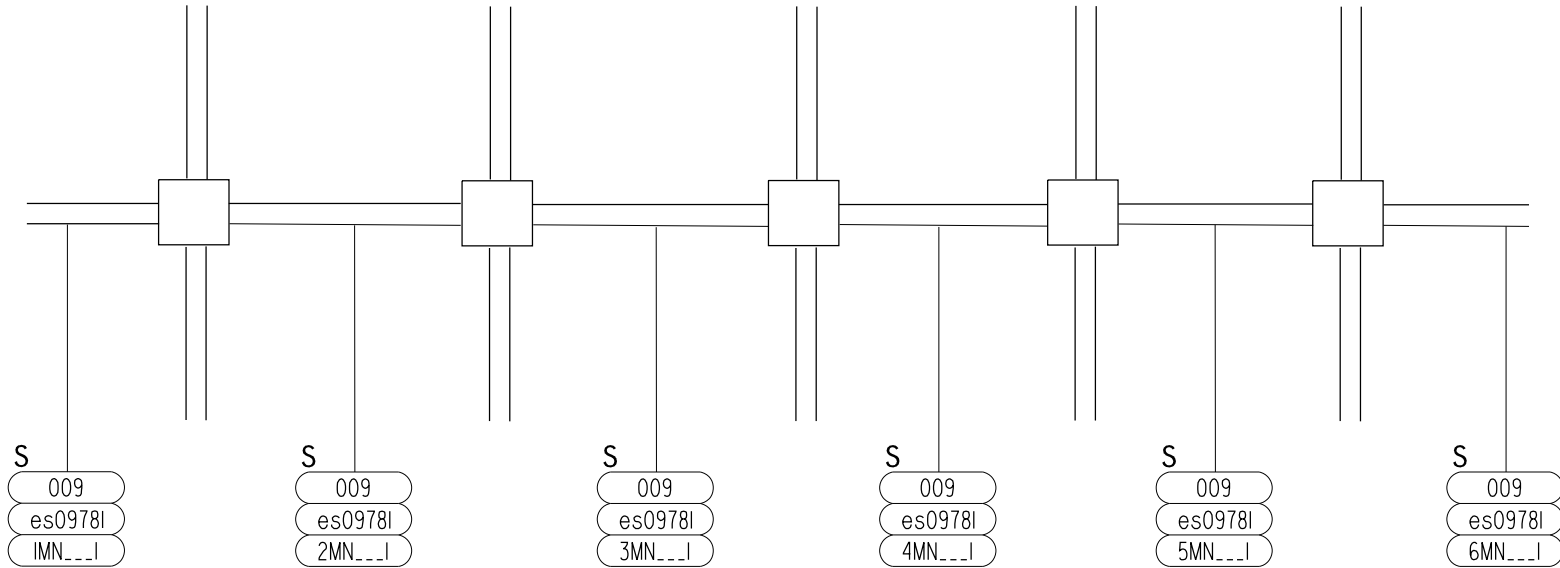
VANCOUVER ST

COLUMBIA ST

3RD ST

2ND ST

1ST ST



Washington State
Department of Transportation



2
OF
3

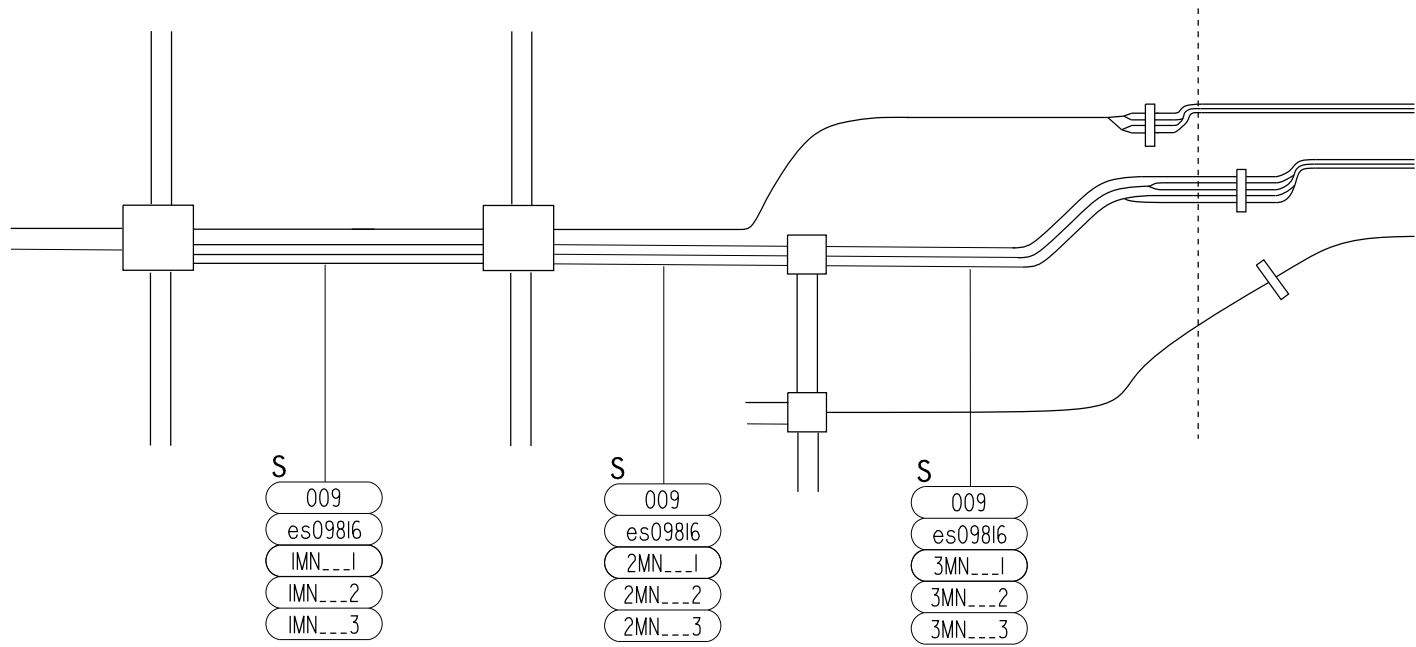


GARFIELD AVE

CLEVELAND ST

HARRISON ST

US/CANADIAN BORDER

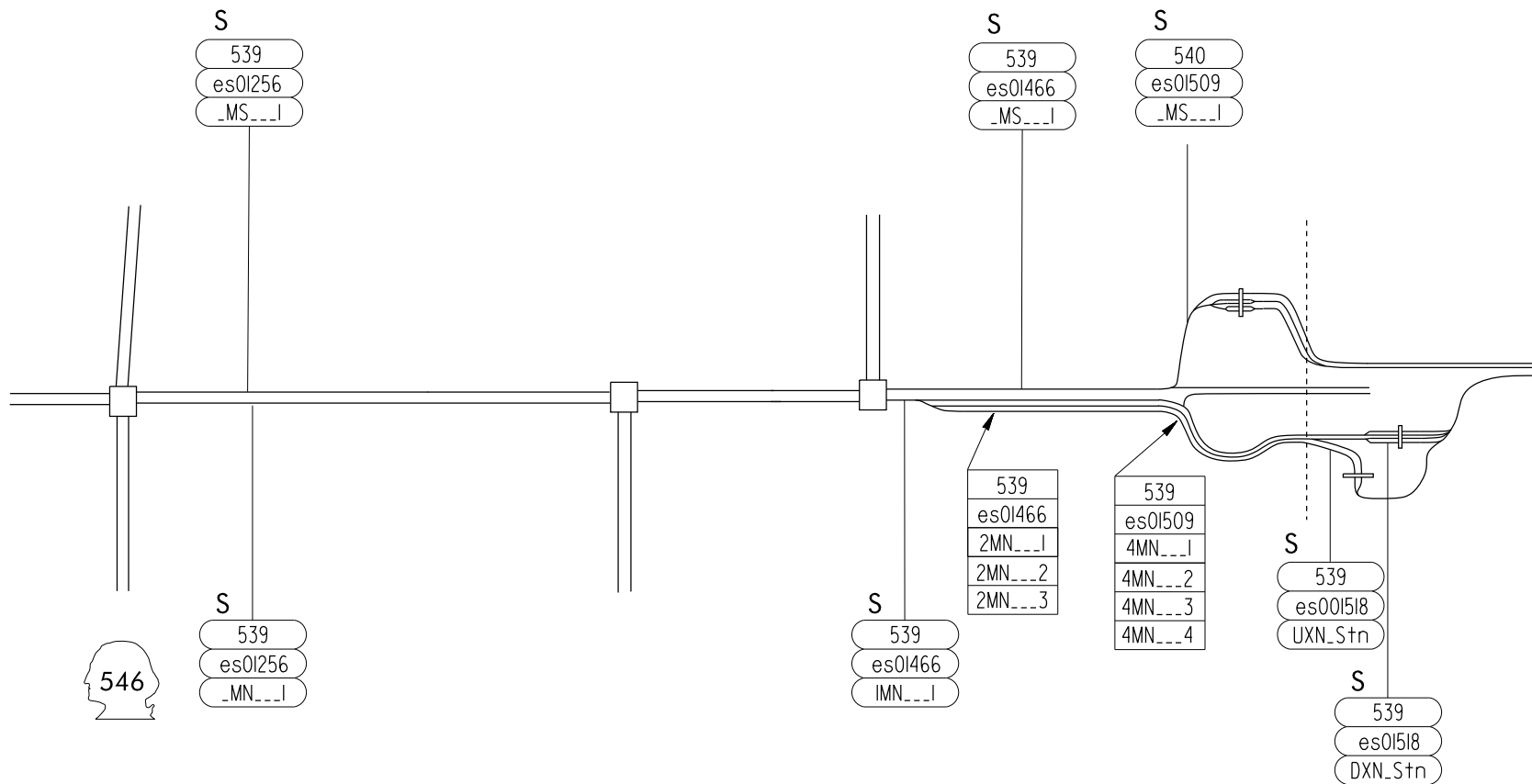


BADGER RD

E PRAIRIE RD

H ST

US/CANADIAN BORDER



	Washington State Department of Transportation		1 OF 1
--	--	--	--------------

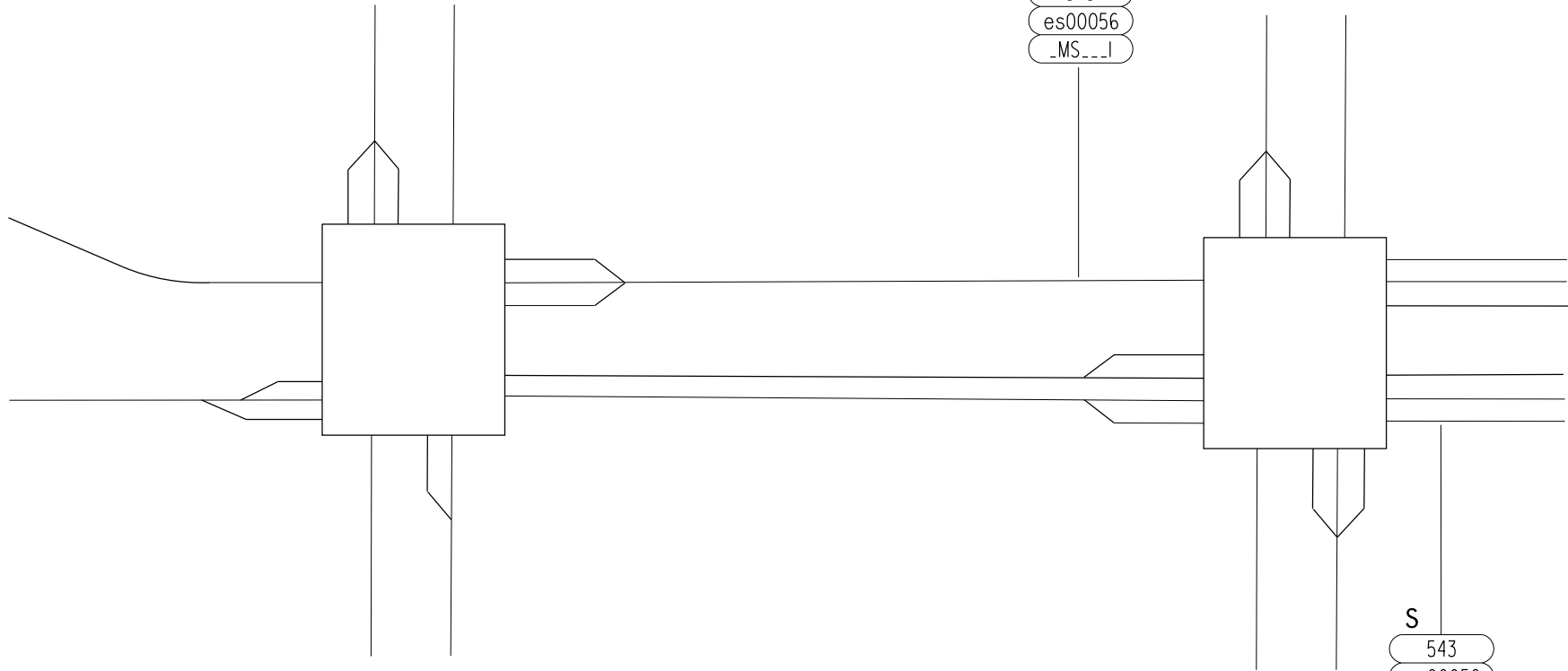
BOBLETT ST

H ST



S
543
es00056
MS...!

S
543
es00056
_MN_Stn

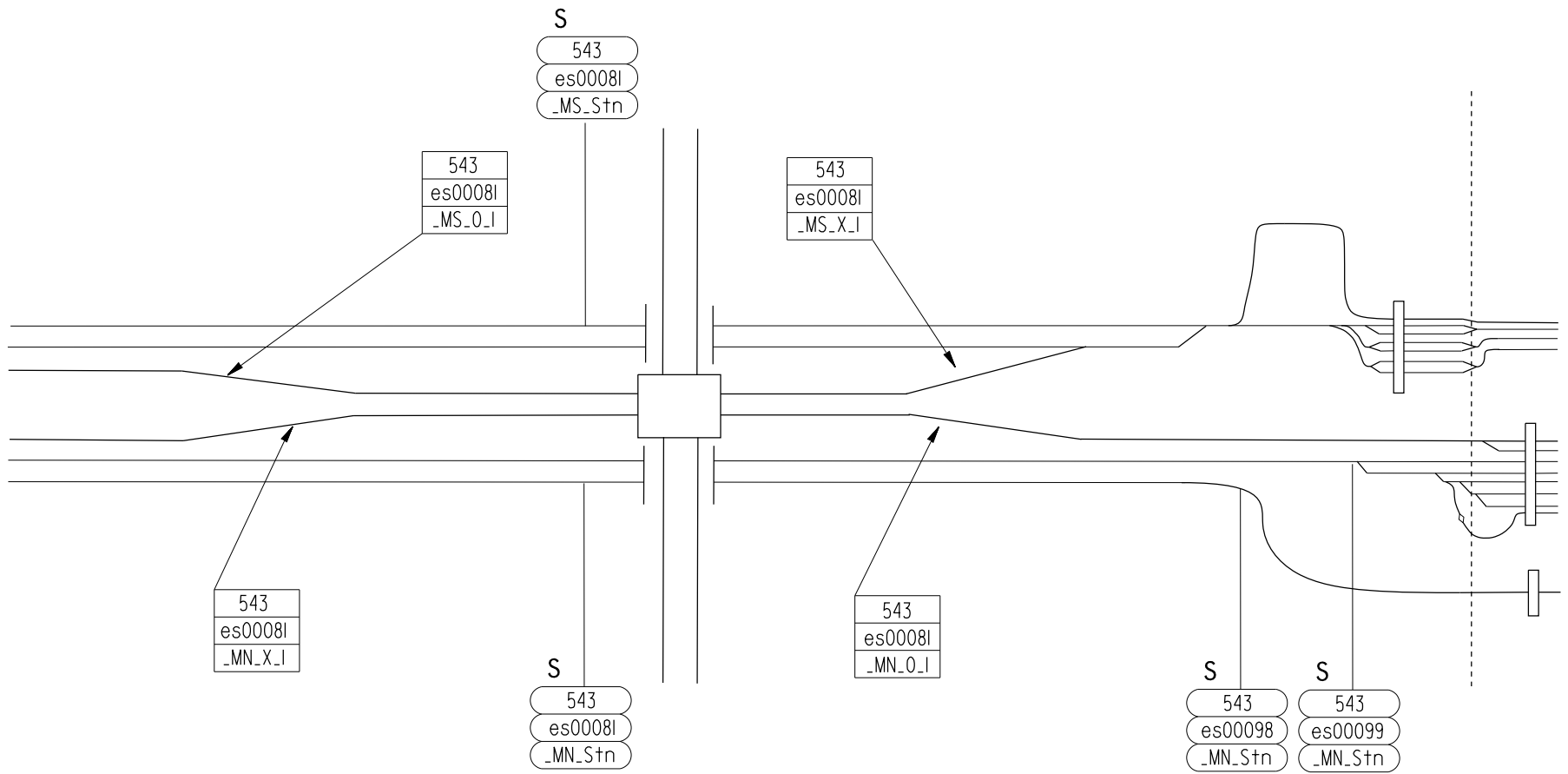


 Washington State Department of Transportation	 543	1 OF 2
--	---	--------------



US/CANADIAN BORDER

D ST



Washington State Department of Transportation



2 OF 2